

Area of Application:  
Bench mounted  
Water

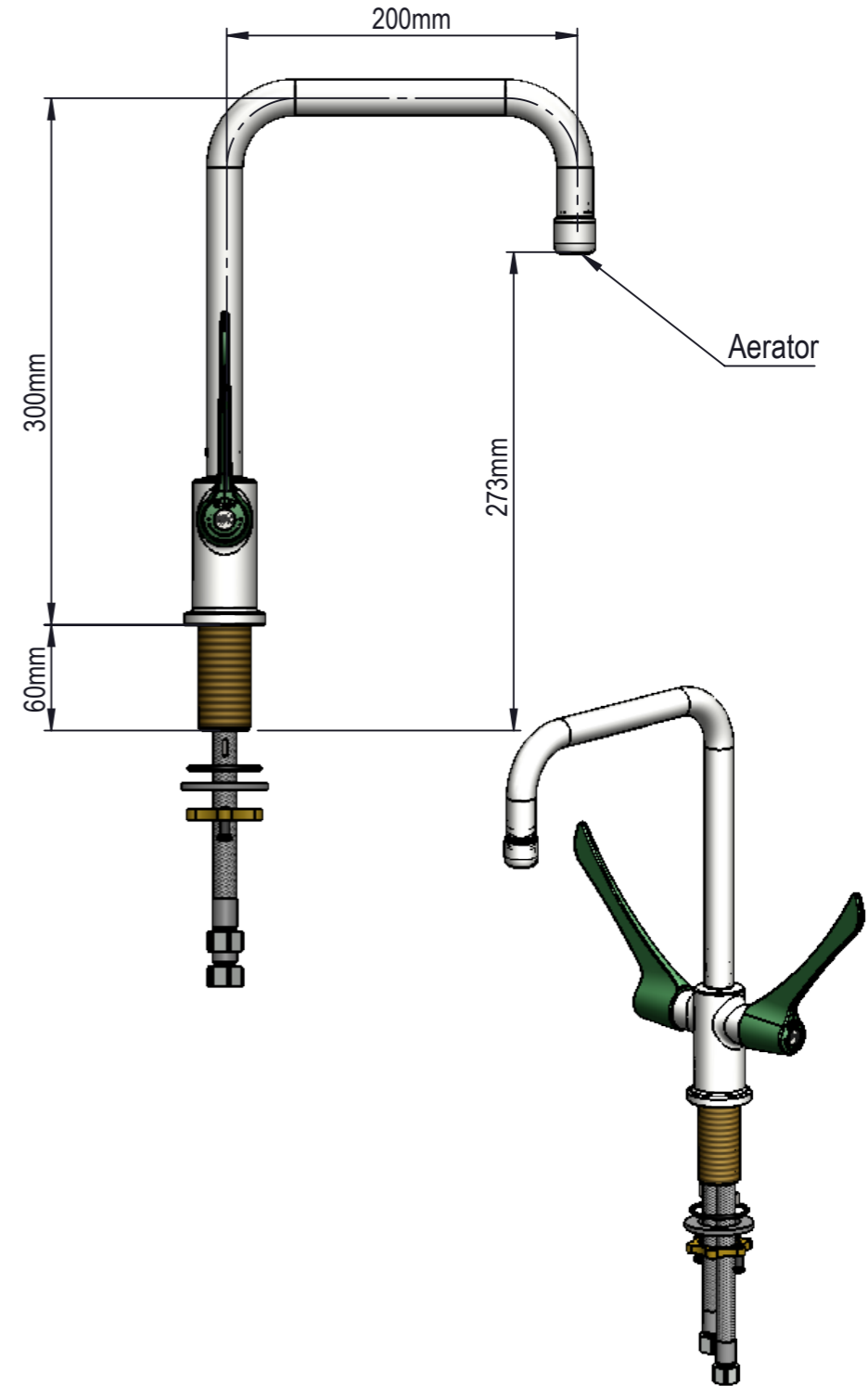
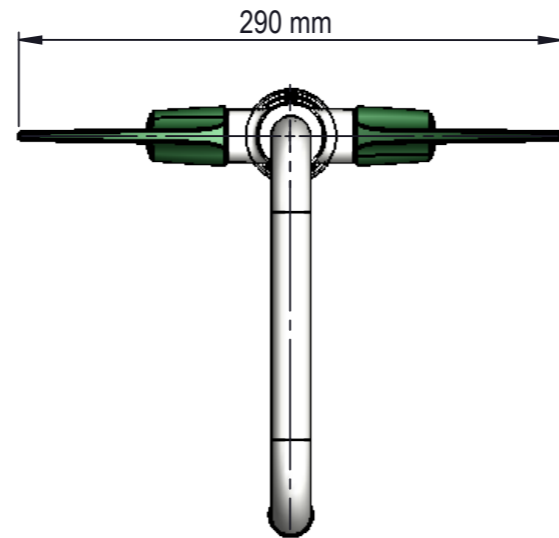
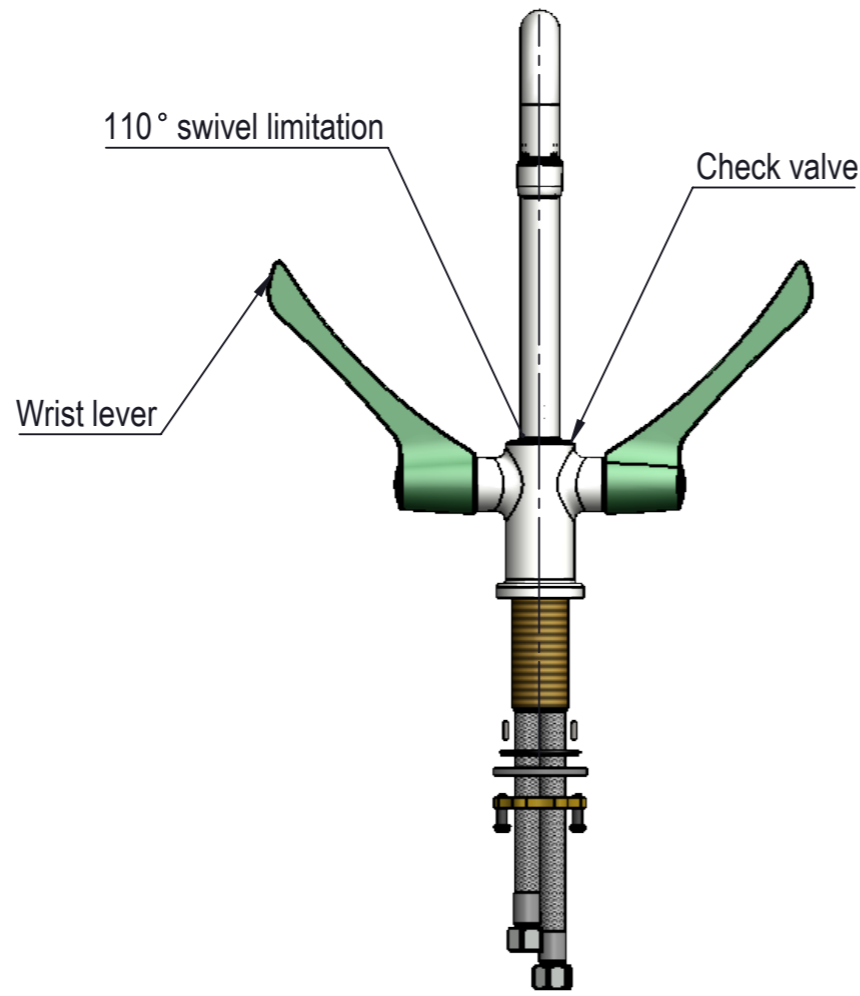
Max. working pressure 10 bar

Details:  
Left turn open 90° ceramic headwork  
3-Zone colour, acc. to EN13792:2002  
Swivel spout 110deg  
Aerator

Materials in media contact:  
Brass  
Rubber. EPDM  
Silicone based lubricant

Mounting:  
M30 nut with locking pinns o-ring and washer

Inlet / outlet connection:  
DN8 hose with G3/8 female inlet  
Aerator



Description: 2-Hand.Mix, Bench mounted, 1-Hole, (Swivel limited), Aerator

						Media: Water					
						Comments:					
						Drawing type: Customer drawing		Weight: 1.743 Kg			
Rev.	Pos.	Date	TM No.	Design by	Drawn by:	Change:	Designed by: VJE	Drawn by: SJE	Released on TM No.	Date: 08-12-2017	
<b>BROEN-LAB</b>						This drawing is our property and cannot be given to a third party, copied or otherwise used without our permission. BROEN-LAB A/S.		Format: A3		Drawing No.: 25364638039-52D	