

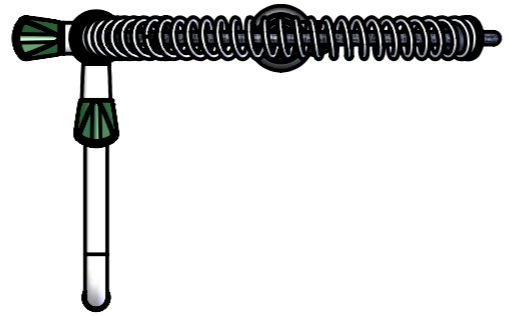
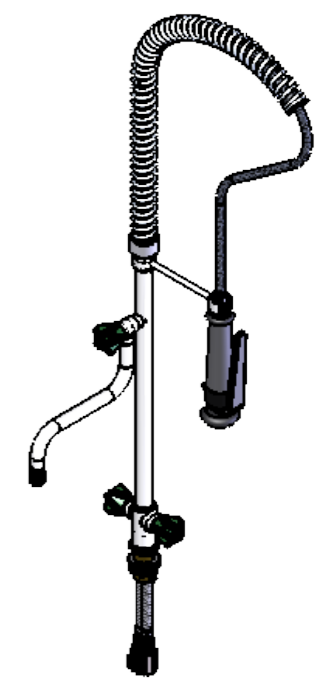
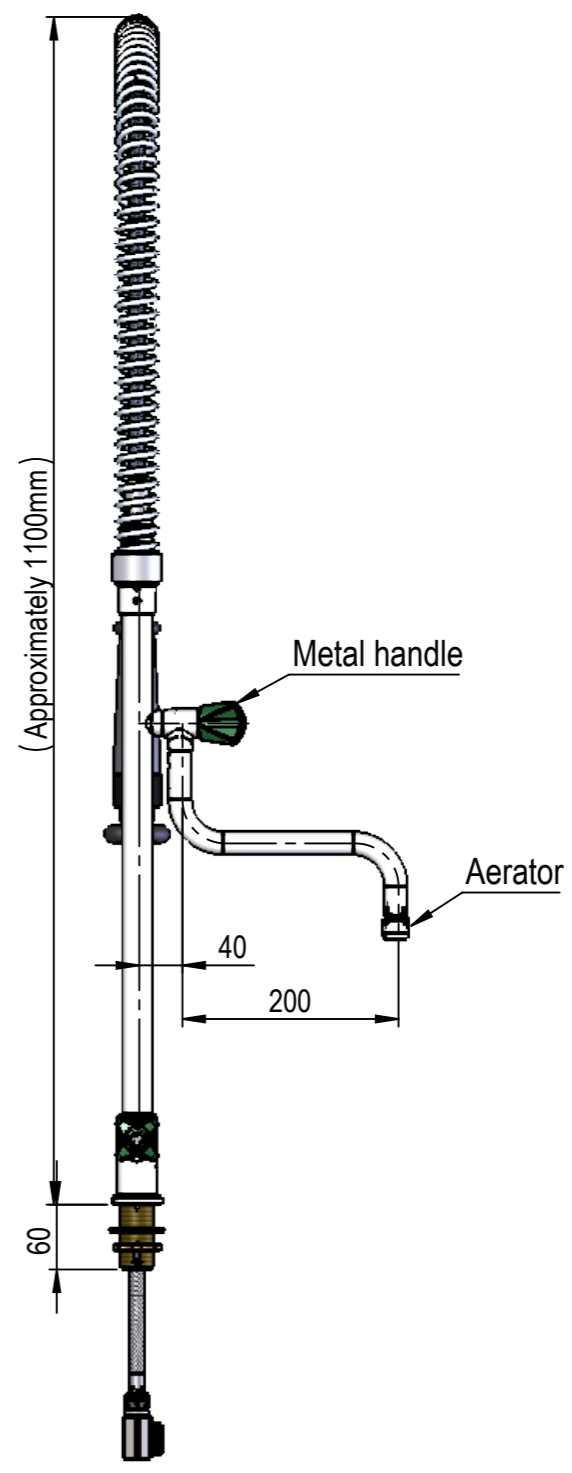
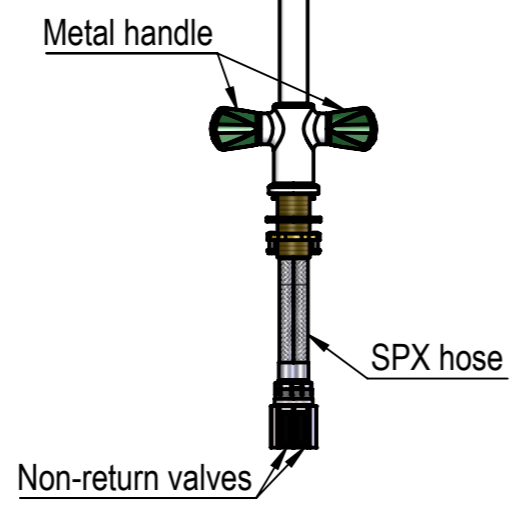
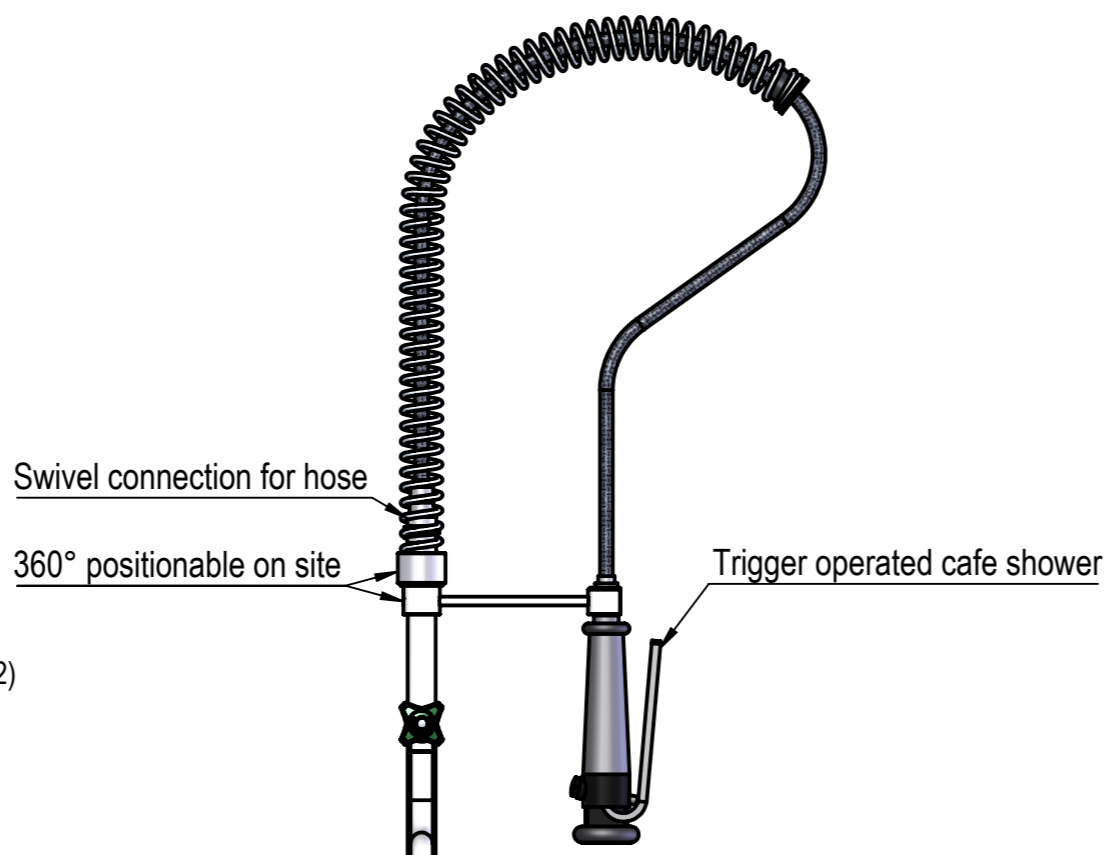
Area of Application:
 Table mounted
 Water
 Ideal operating pressure 3 bar
 Max. working pressure 5 bar
 Ideal operating temperature 65°C
 Max. water temperature 90°C

Details:
 Ceramic headwork open/close 180°
 3-Zone colour, acc. to EN13792:2002
 Swivel spout
 Aerator

Materials in media contact:
 Brass
 Rubber, EPDM
 Silicone based lubricant
 SS, AISI 316
 SPX (Soft PEX)

Mounting:
 M30x1,5 nut with locking pins o-ring and washer (See 94G0232)

Inlet / outlet connection:
 ISO228/1-G1/2
 Aerator / Handheld shower



MEDIA CODE XX FOR WATER TWO HANDLE MIXER		
Media	Media description	Media code XX
WPC WPH	Water potable cold / hot	39
WNC WCH	Water non-potable cold / hot	40

Description: 3-Valves, Table mounted, M30x1,5 nut with locking pins o-ring and washer, Swivel spout,							Media: Water	
							Comments:	
							Drawing type: Customer drawing	
							Weight: 4.523 Kg	
Rev.	Pos.	Date	TM No.	Design by	Drawn by:	Change:	Designed by: REK	Drawn by: REK
							Released on TM No. 23-08-2019	
BROEN-LAB							Format: A3	
This drawing is our property and cannot be given to a third party, copied or otherwise used without our permission. BROEN-LAB A/S.							Drawing No.: 253657110XX-52E	