

Area of Application:  
Bench mounted  
Water

Max. working pressure 10 bar

Temperature range 5°C-65°C

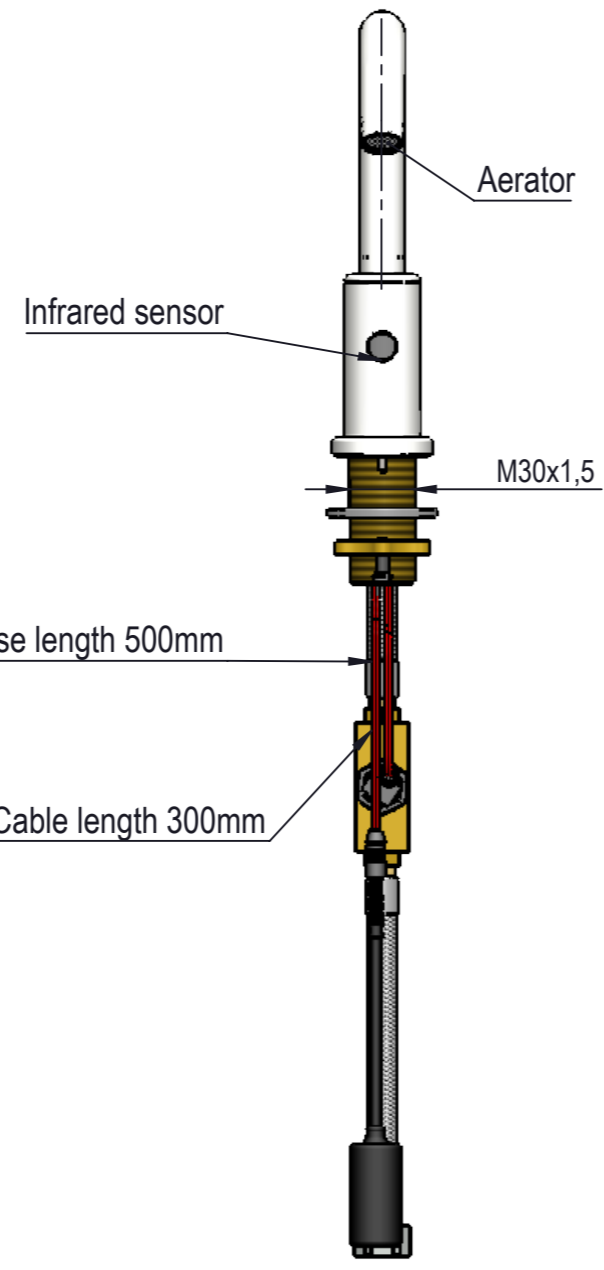
Details:  
Servo controlled bi-stable cartridge valve  
Fixed spout  
Aerator

Materials in media contact:  
Brass  
Rubber, EPDM  
Silicone based lubricant  
PA  
POM  
SPX (Soft PEX)

Mounting:  
M30x1,5 nut with locking pins, O-ring and washer (See 94G0232)

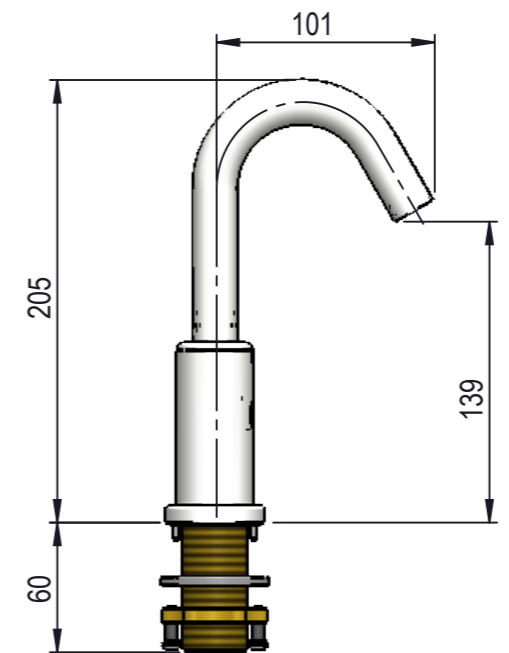
Inlet / outlet connection:  
DN8 hose with G½ female inlet  
Aerator

**Electronic connection:**  
6V Lithium battery



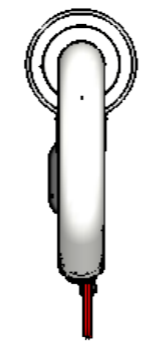
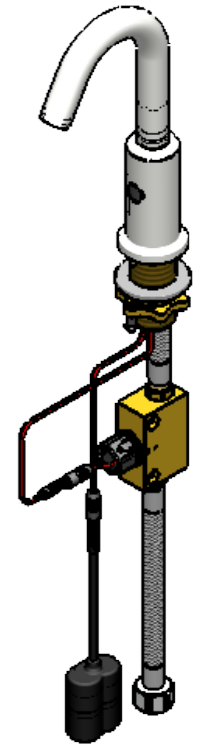
Standard hose length 500mm

Cable length 300mm



M5 screws not included

Battery operated



Description: 1-Valve, Bench mounted, , Fixed spout, Aerator										
								Media: Water		
Comments:										
Drawing type: Customer drawing								Weight: 1.503 Kg		
Rev.	Pos.	Date	TM No.	Design by	Drawn by:	Change:	Designed by: SJE	Drawn by: ROE	Released on TM No.	
									Date: 14-05-20	
<b>BROEN-LAB</b>							Format: A3		Drawing No.: 26010201035-52E	

This drawing is our property and cannot be given to a third party, copied or otherwise used without our permission. BROEN-LAB A/S.