

Area of Application:
Table mounted
Water

Max. working pressure 10 bar

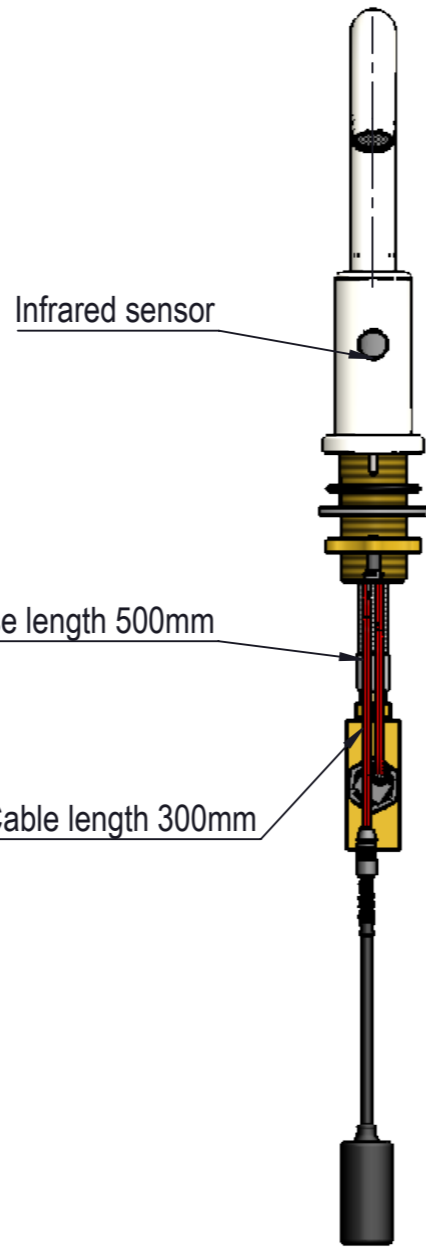
Details:
Servo controlled bi-stable cartridge valve
Fixed spout
Aerator w. flowfix 5 L/min

Materials in media contact:
Brass
Rubber, EPDM
Silicone based lubricant
PA
POM
SS

Mounting:
M30x1,5 nut with locking pins o-ring and washer

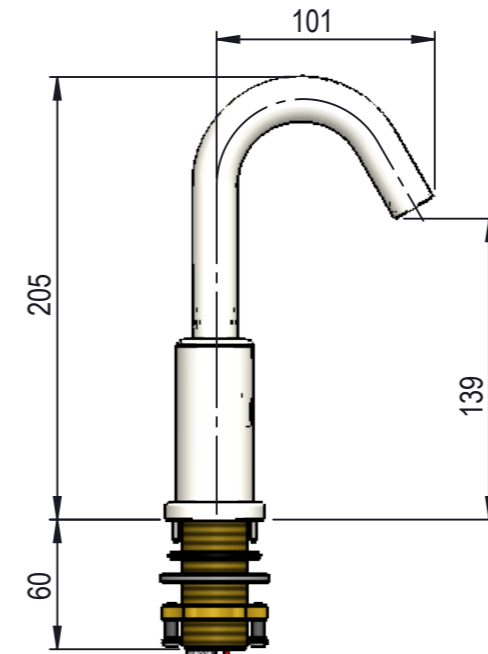
Inlet / outlet connection:
UniFlex
Aerator w. flowfix 5 L/min

Electronic connection:
6V Lithium battery



Standard hose length 500mm

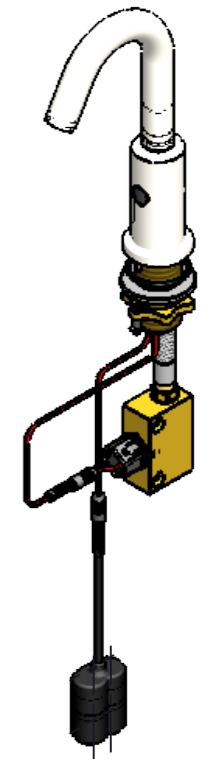
Cable length 300mm



M5 screws not included

BROEN-LAB UniFlex female

Battery operated



Description: 1-Valve, Table mounted, M30x1,5 nut with locking pins o-ring and washer, Fixed spout, UniFlex

C	26-11-18			sje		Media: Water				
D	11-01-19			sje		Comments:				
E	15-02-19			sje		Drawing type: Customer drawing				
F	19-02-19			sje		Weight: 1.383 Kg				
Rev.	Pos.	Date	TM No.	Design by	Drawn by:	Change:	Designed by: SJE	Drawn by: SJE	Released on TM No.	Date: 11-02-19
BROEN-LAB						This drawing is our property and cannot be given to a third party, copied or otherwise used without our permission. BROEN-LAB A/S.	Format: A3	Drawing No.: 26010201035-52		