

Area of Application:
Table mounted
Water

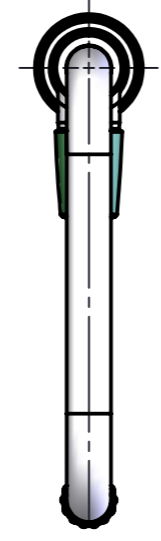
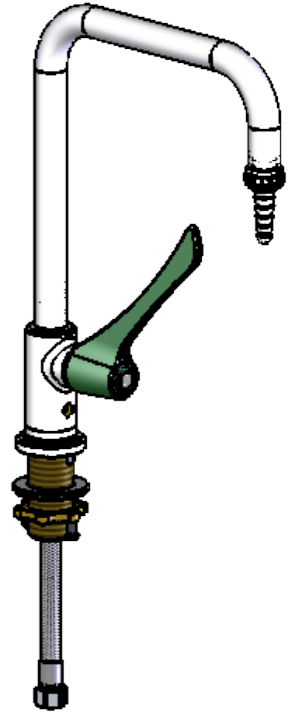
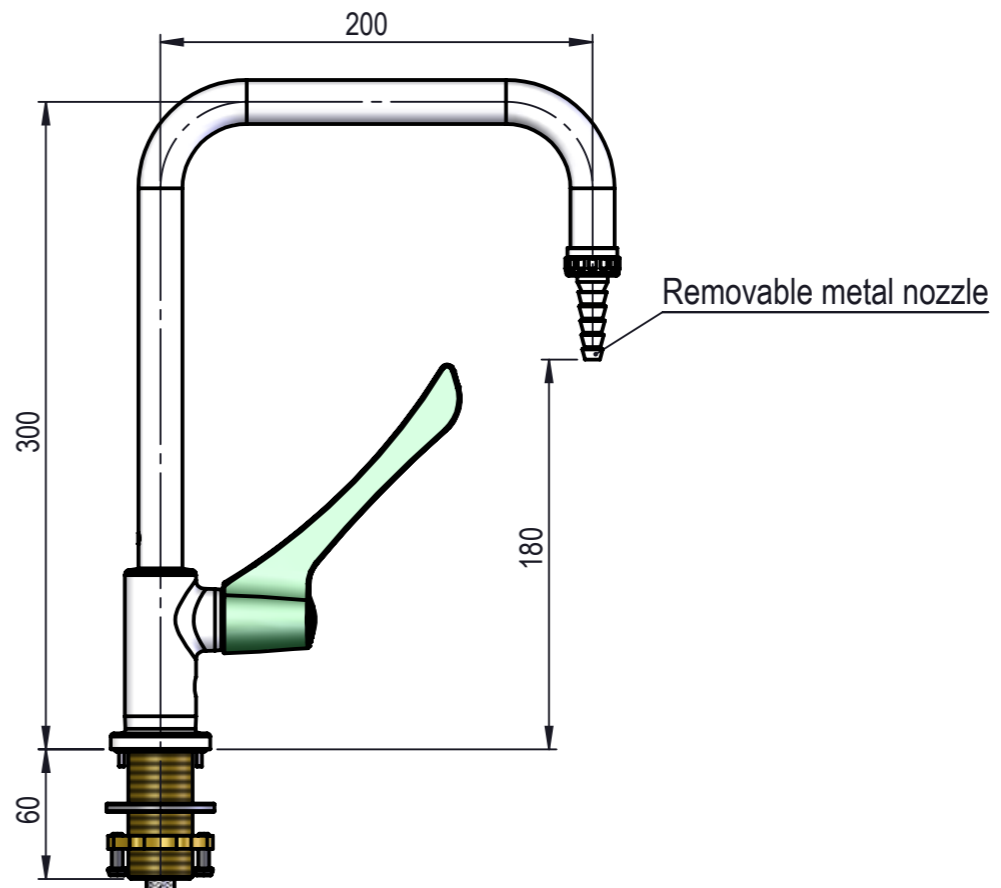
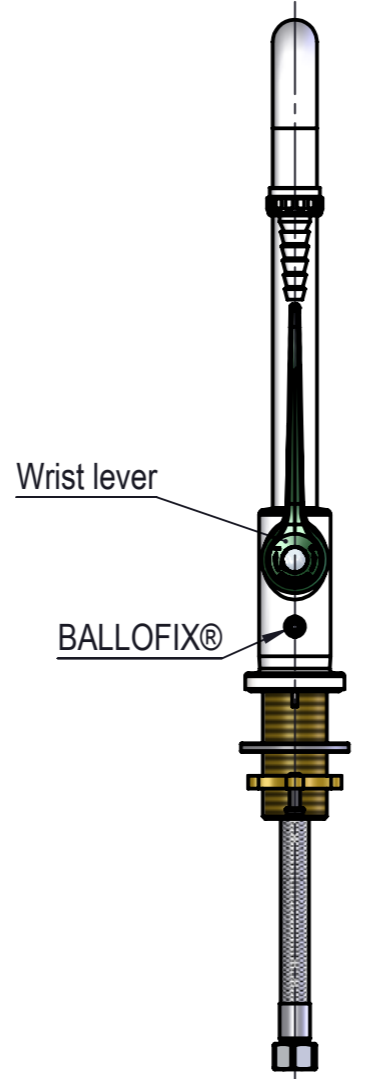
Max. working pressure 10 bar
Temperature range 5°C-90°C

Details:
Ceramic head work open / close 90°
3-Zone colour. acc. to EN13792:2002
Swivel limited 110°
1/2" removable nozzle

Materials in media contact:
Brass
Rubber. EPDM
Silicone based lubricant
SPX (Soft PEX)

Mounting:
M30x1,5 nut with locking pins o-ring and washer (See 94G0232)

Inlet / outlet connection:
DN8 hose with G3/8 female inlet
DIN 12 898 hose nozzle



MEDIA CODE XX FOR WATER
ONE MEDIA FITTING
ACCORDING TO EN 13792

Media	Media description	Media code XX
WPC	Water potable cold	01
WPH	Water potable hot	02
WCF	Water coolant, feed	05
WCR	Water coolant, return	06
WNC	Water non-potable, cold	07
WNH	Water non-potable, hot	08
WRC	River water cold	33

Description: 1-Valve, Table mounted, 1-Hole, Rem. Nozzle, M30x1,5mm, Hose							Media: Water			
							Comments:			
							Drawing type: Customer drawing			
							Weight: 1.442 Kg			
Rev.	Pos.	Date	TM No.	Design by	Drawn by:	Change:	Designed by: VJE	Drawn by: MWA	Released on TM No.	Date: 14-10-2019
BROEN-LAB <small>This drawing is our property and cannot be given to a third party, copied or otherwise used without our permission. BROEN-LAB A/S.</small>							Format: A3		Drawing No.: 253449280XX-52D	