

Area of Application:  
Bench mounted  
Water

Max. working pressure 10 bar  
Min. temperature 5°C  
Max. temperature 90°C

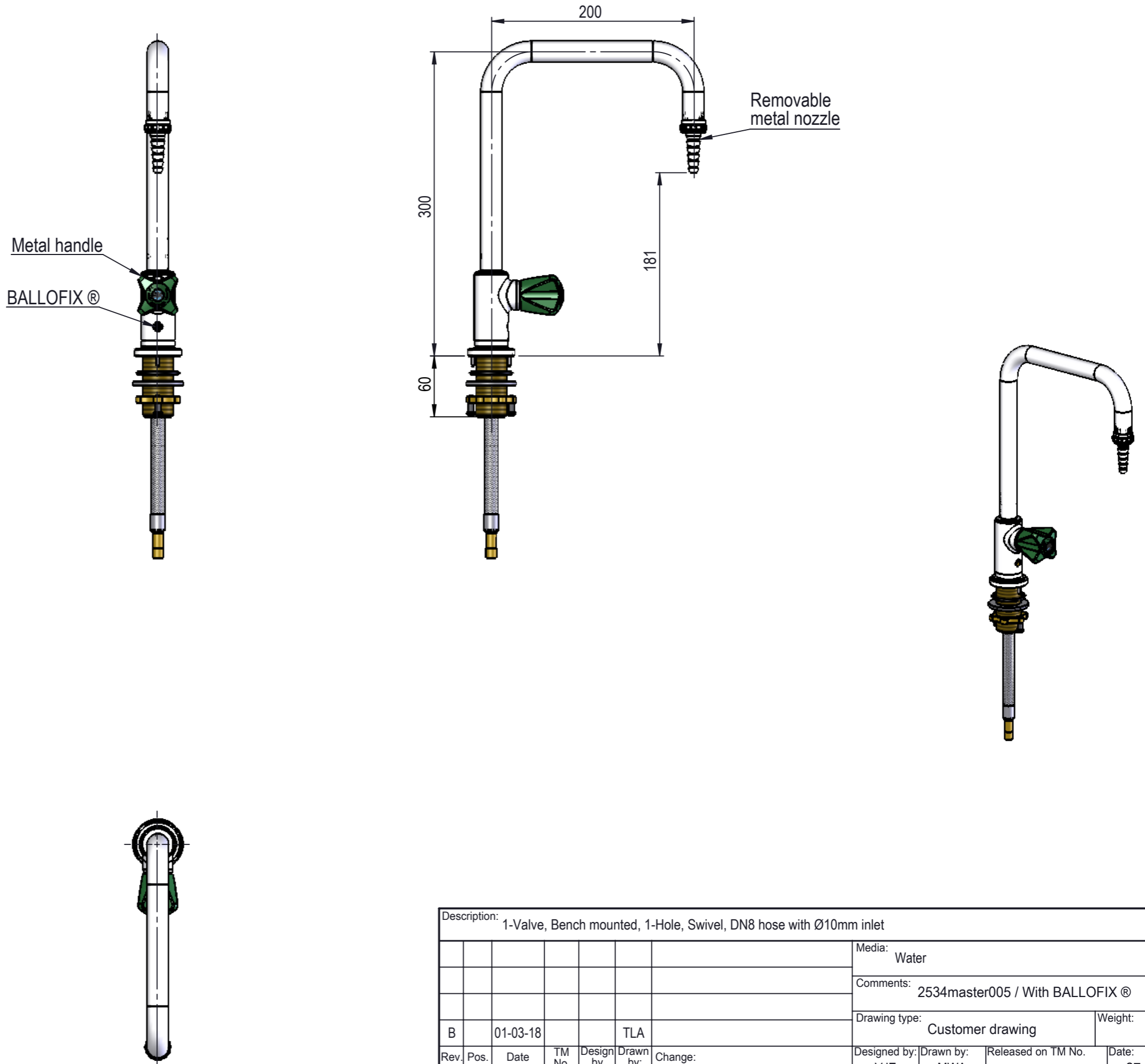
Details:  
Ceramic headwork open/close 180°  
3-Zone colour. acc. to EN13792:2002

Materials in media contact:  
Brass  
Rubber. EPDM  
Silicone based lubricant  
Ceramic  
POM

Mounting:  
M30x1,5mm, Hose (See 94G0232)

Inlet / outlet connection:  
DN8 hose with Ø10mm inlet  
DIN 12 898, form A, size 1, 1/2" hose nozzle

Note:  
By mounting attention has  
to be paid to national  
and international law,  
norms and recommendations



MEDIA CODE XX FOR WATER  
ONE MEDIA FITTING  
ACCORDING TO EN 13792

Media	Media description	Media code XX
WPC	Water potable cold	01
WPH	Water potable hot	02
WCF	Water coolant, feed	05
WCR	Water coolant, return	06
WNC	Water non-potable, cold	07
WNH	Water non-potable, hot	08
WRC	River water cold	33

Description: 1-Valve, Bench mounted, 1-Hole, Swivel, DN8 hose with Ø10mm inlet							Media: Water					
							Comments: 2534master005 / With BALLOFIX ®					
							Drawing type: Customer drawing					
							Weight: 1.496 Kg					
B		01-03-18			TLA							
Rev.	Pos.	Date	TM No.	Design by	Drawn by:	Change:	Designed by: VJE	Drawn by: MWA	Released on TM No.	Date: 27-10-2011		
<b>BROEN-LAB</b>							This drawing is our property and cannot be given to a third party, copied or otherwise used without our permission. BROEN-LAB A/S.		Format: A3		Drawing No.: 253400210XX-52B	