

4

3

2

1

Area of Application:

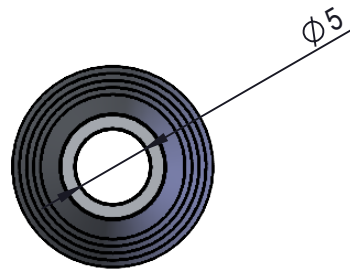
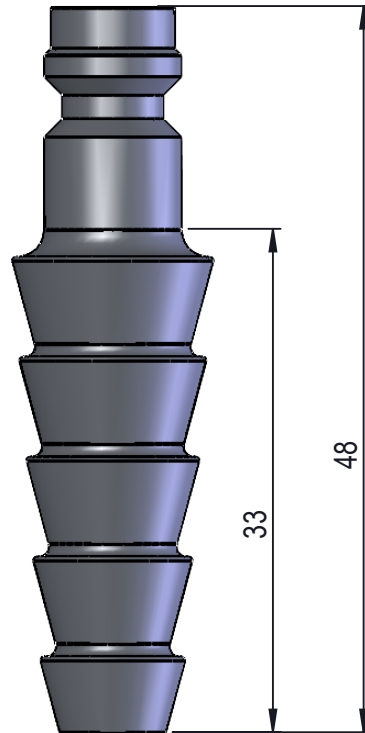
All media

Max. working pressure 10 bar

Temperature range 5°C-90°C

Materials in media contact:  
Chrome plated, Brass

Inlet / outlet connection:  
Quick release plug  
DIN 12 898 hose nozzle



Description:

, , Spare part - Qucik release nozzle, ,


Media: All media

Comments:

Drawing type: Spare part drawing Weight: 0.02 Kg

Rev.	Pos.	Date	TM No.	Design by	Drawn by:	Change:	Designed by: SJE	Drawn by: SJE	Released on TM No. 8479	Date: 18-02-21
------	------	------	--------	-----------	-----------	---------	------------------	---------------	-------------------------	----------------

**BROEN-LAB**

This drawing is our property and cannot be given to a third party, copied or otherwise used without our permission. BROEN-LAB A/S.

Format: A4 Drawing No.: 2575056

4

3

2

1