

Area of Application:
Wall/Panel mounted
Burning gases

Max. working pressure 7 bar

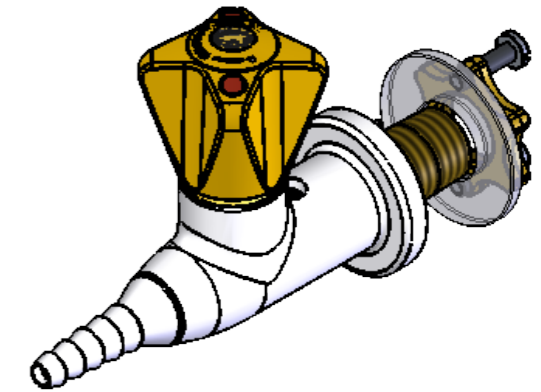
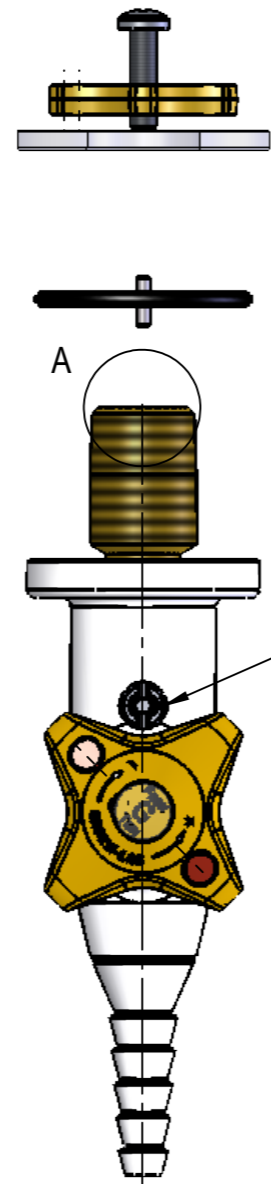
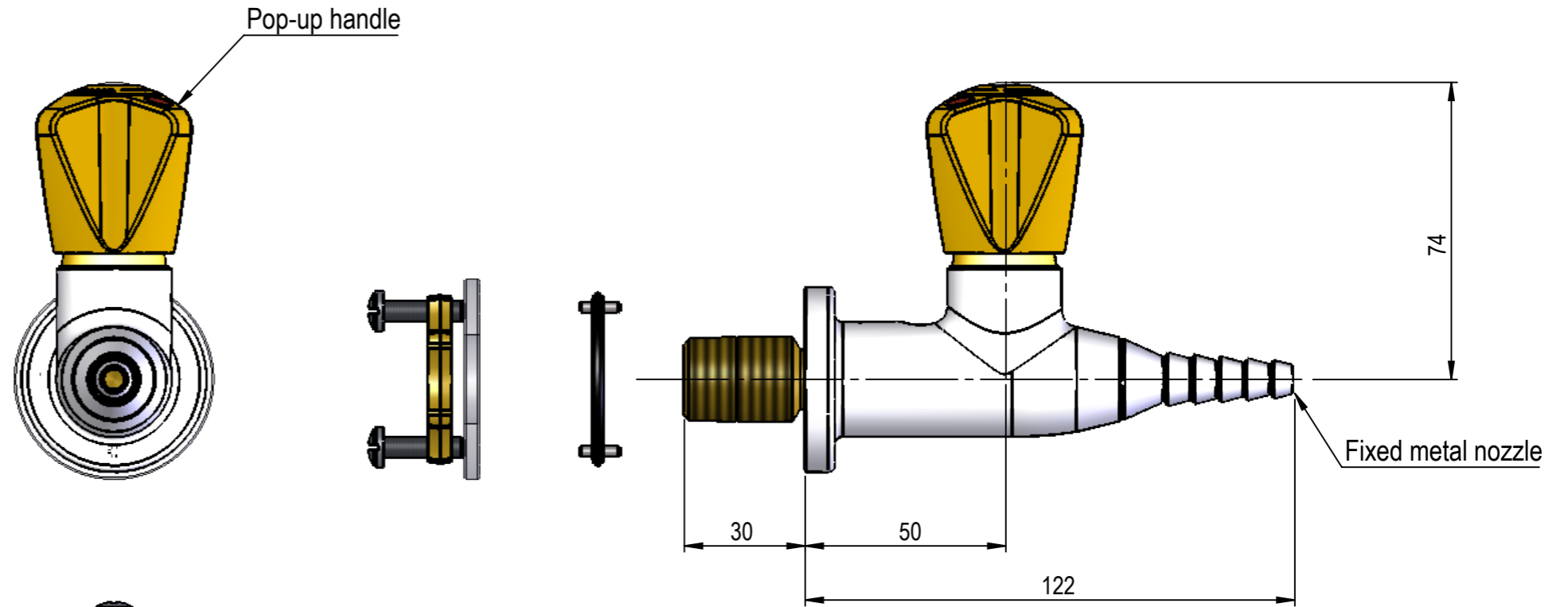
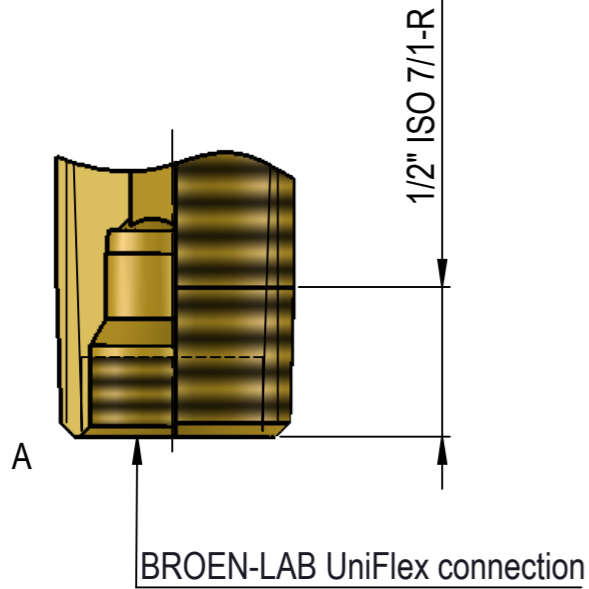
Details:
"Press/turn" safety ceramic headwork open/close 90°
3-Zone colour, acc. to EN13792:2002

Fixed nozzle

Materials in media contact:
Brass
Rubber, NBR
Lubricant approved for burning gas
Ceramic
POM

Mounting:
1/2" nut with locking pins, O-ring and washer (See 94G0232)

Inlet / outlet connection:
UniFlex
DIN 12 898 hose nozzle



MEDIA CODE XX FOR
BURNING GAS FITTINGS WITH
PRESS / TURN HEADWORK AND
PRESS / TURN HANDLE (pop up)
ACCORDING TO EN 13792
*Model shown for G

Media	Media description	Media code XX
G	Natural gas	10
LPG	Propane/butane (liquefied gasses)	12
C ₄ H ₁₀	Butane	14
C ₃ H ₈	Propane	16
C ₂ H ₂	Acetylene	18
H ₂	Hydrogen	20
CH ₄	Methane	46

Description: 1-Valve, Wall/Panel mounted, 1-Hole, Fix. Nozzle, UniFlex

						Media: Burning gases	
						Comments:	
						Drawing type: Customer drawing	
						Weight: 0.774 Kg	
Rev.	Pos.	Date	TM No.	Design by	Drawn by:	Change:	Designed by: SJE
							Drawn by: SJE
						Released on TM No.	
						Date (DD-MM-YY): 20-30-20	
						Format: A3	
						Drawing No.: 253217310XX-05	

BROEN-LAB

This drawing is our property and cannot be given to a third party, copied or otherwise used without our permission. BROEN-LAB A/S.