

Area of Application:
Panel mounted
Vacuum and Highflow

Max. working pressure 16 bar

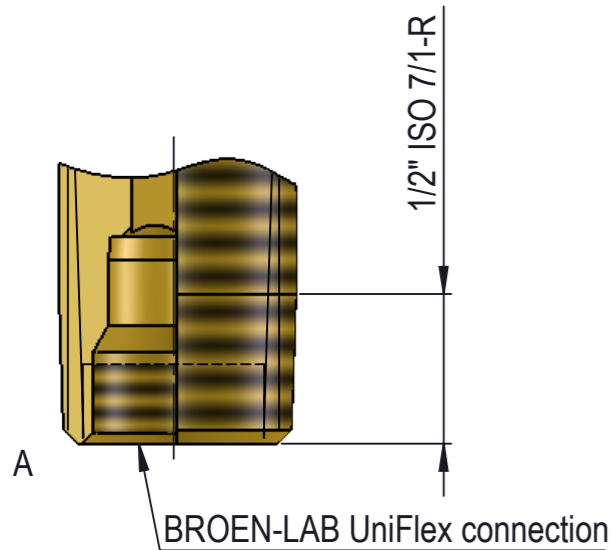
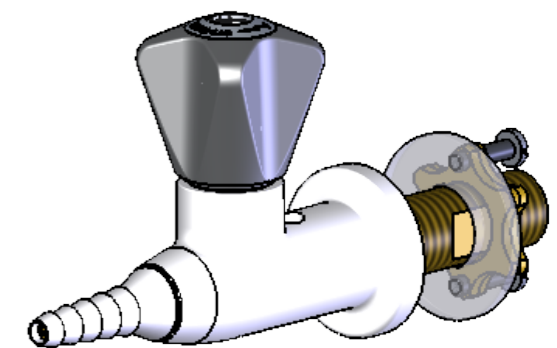
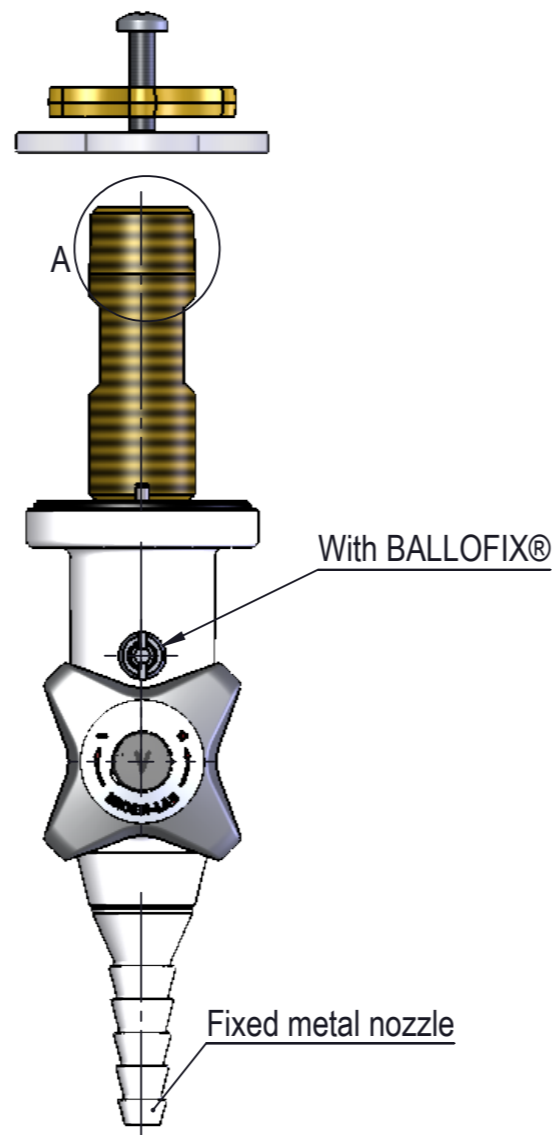
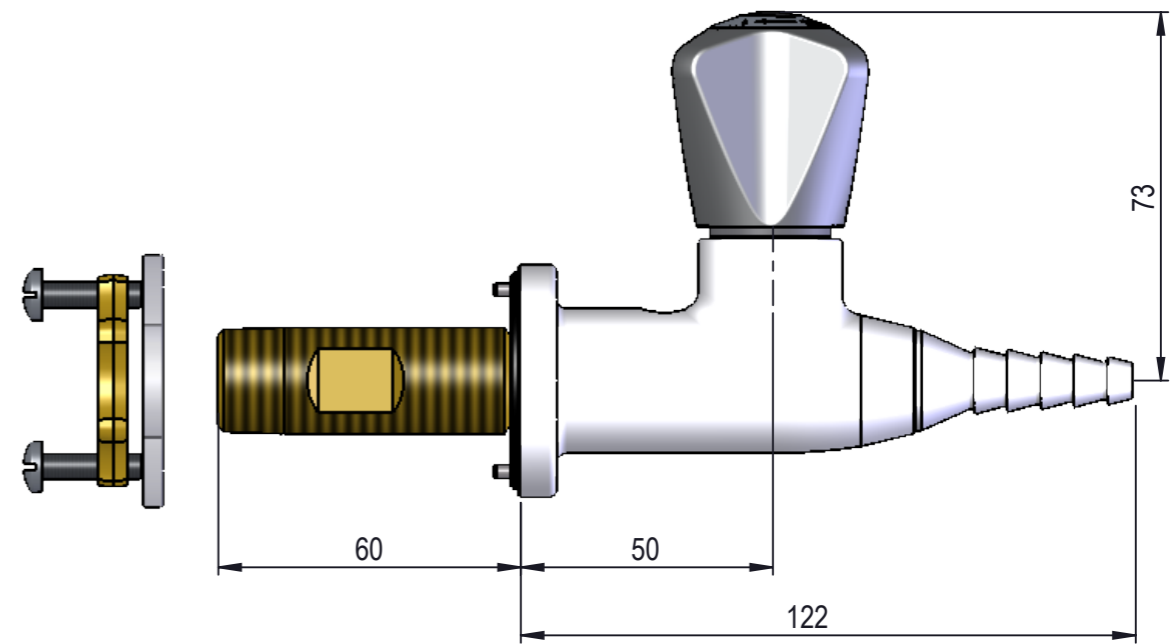
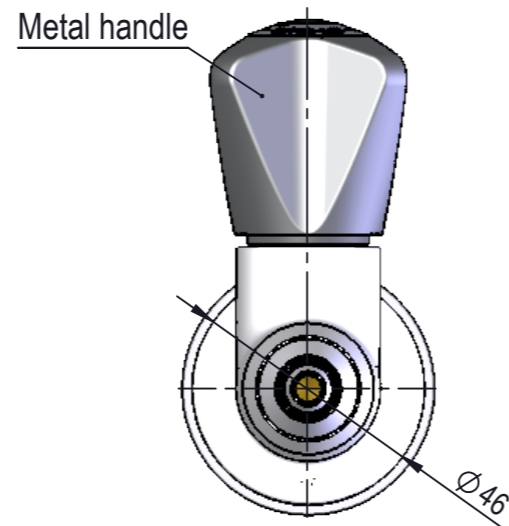
Details:
High flow/Vacuum headwork open/close 1,5x360°
3-Zone colour, acc. to EN13792:2002

Fixed nozzle

Materials in media contact:
Brass
Rubber, FKM
Silicone based lubricant
PVDF

Mounting:
1/2" nut with locking pins, O-ring and washer (See 94G0232)

Inlet / outlet connection:
UniFlex
DIN 12 898 hose nozzle



MEDIA CODE XX FOR VACUUM		
*Model shown for V		
Media	Media description	Media code XX
V	Vacuum Low	28
VF	Vacuum Fine	29
VH	Vacuum High	30

Description: 1-Valve, Panel mounted, 1-Hole, ., DIN 12 898 hose nozzle							Media: Vacuum and Highflow			
							Comments:			
							Drawing type: Customer drawing			
							Weight: 0.873 Kg			
Rev.	Pos.	Date	TM No.	Design by	Drawn by:	Change:	Designed by: REK	Drawn by: REK	Released on TM No.	Date (DD-MM-YY): 02-03-21
BROEN-LAB							Format: A3		Drawing No.: 253216510XX-14	
This drawing is our property and cannot be given to a third party, copied or otherwise used without our permission. BROEN-LAB A/S.										