

8

7

6

5

4

3

2

1

Area of Application:

Turret
Burning gases

Max. working pressure 7 bar

Details:

"Lift/turn" safety handle, open/close 90°
3-Zone colour, acc. to EN13792:2002

Fixed nozzle

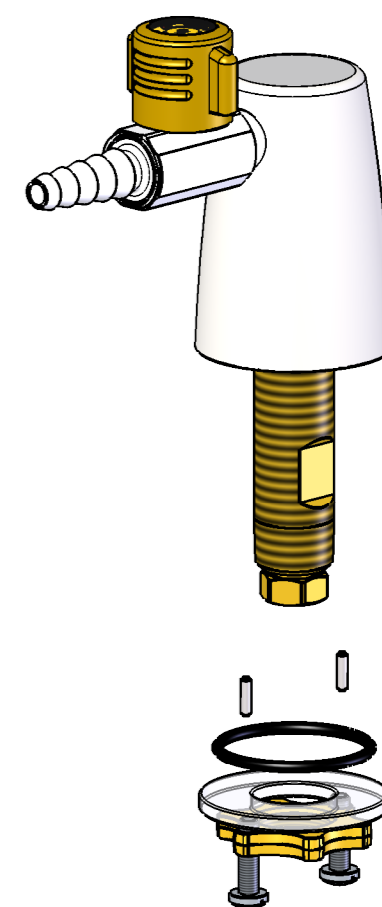
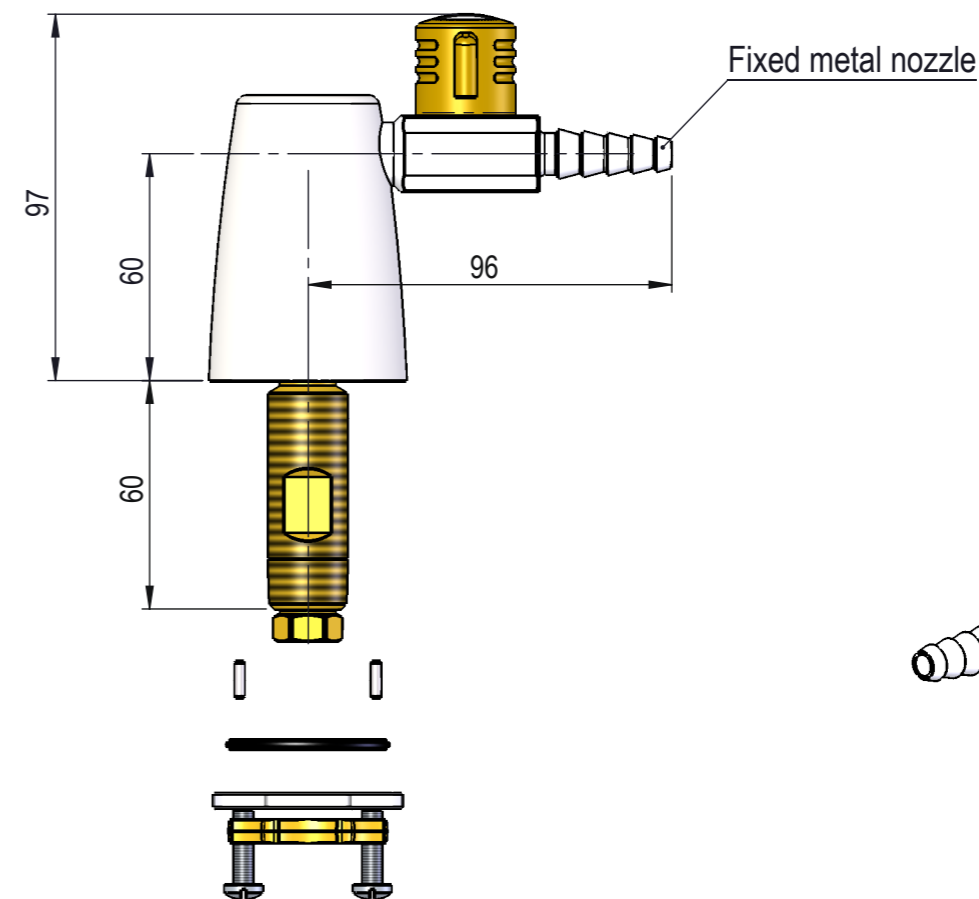
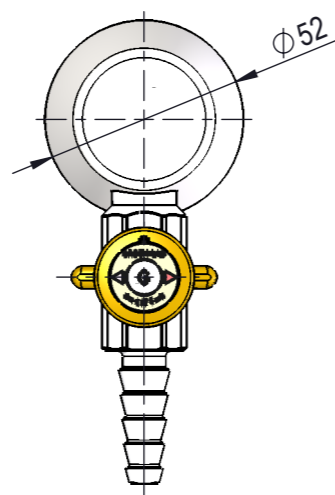
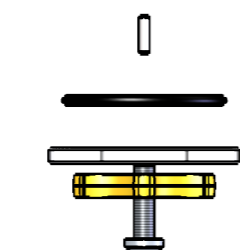
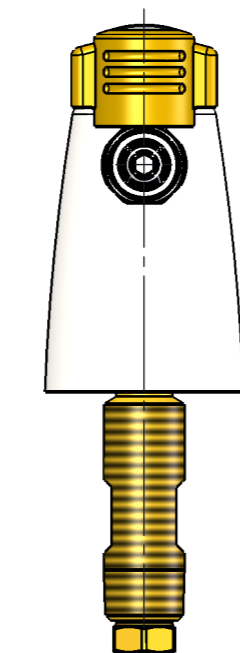
Materials in media contact:

Brass
Nickel plated, Brass
Mineral oil based lubricant
Rubber, NBR

Mounting:

1/2" nut with locking pins, O-ring and washer (See 94G0232)

Inlet / outlet connection:

Compression fitting for OD 12mm tube
DIN 12 898 hose nozzle

MEDIA CODE XX FOR
SCHOOL GAS FITTINGS WITH
LIFT/TURN-HANDLE
ACCORDING TO EN 13792

Media	Media description	Media code XX
G	Natural gas	10
LPG	Propane/butane (liquefied gasses)	12

Description: 1-Valve, Turret, 1-Hole, Fix. Nozzle, Compression fitting

Media:
Burning gases

Comments:

Drawing type:
Customer drawingWeight:
0.638 Kg

Rev.	Pos.	Date	TM No.	Design by	Drawn by:	Change:

Designed by:	Drawn by:	Released on TM No.	Date (DD-MM-YY):
BJP	MWA		01-03-2021

BROEN-LAB

This drawing is our property and cannot be given to a third party, copied or otherwise used without our permission. BROEN-LAB A/S.

Format:	Drawing No.:
A3	252031780XX-14S

8

7

6

5

4

3

2

1