

Area of Application:
Wall mounted
Burning gases

Max. working pressure 7 bar

Details:
"Lift/turn" safety handle, open/close 90°
3-Zone colour, acc. to EN13792:2002

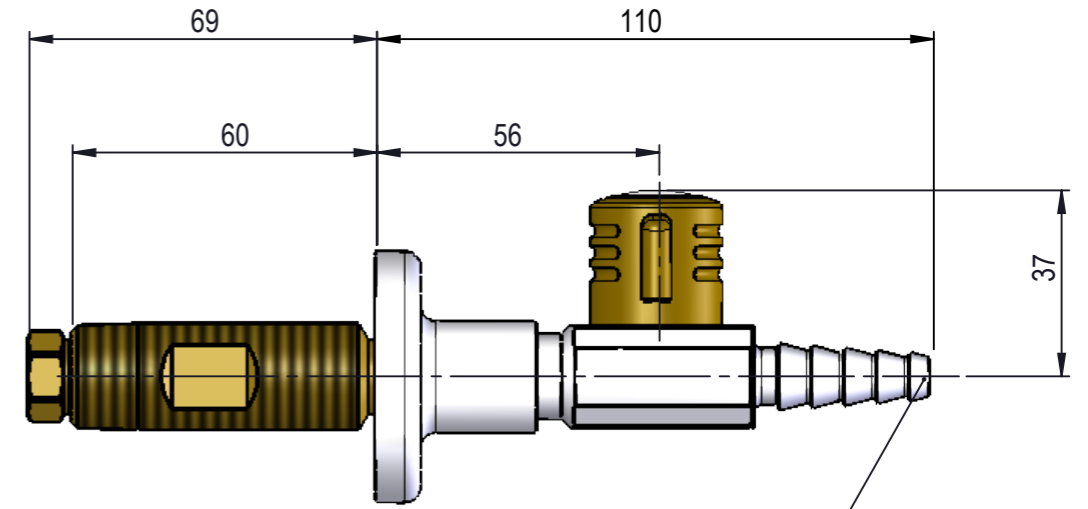
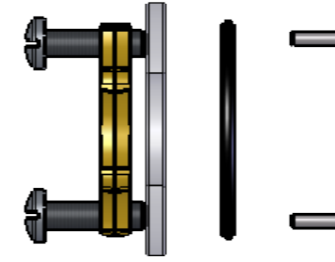
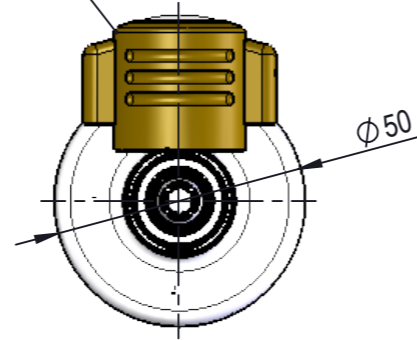
Fixed nozzle

Materials in media contact:
Brass
Nickel plated, Brass
Rubber, NBR
Mineral oil based lubricant

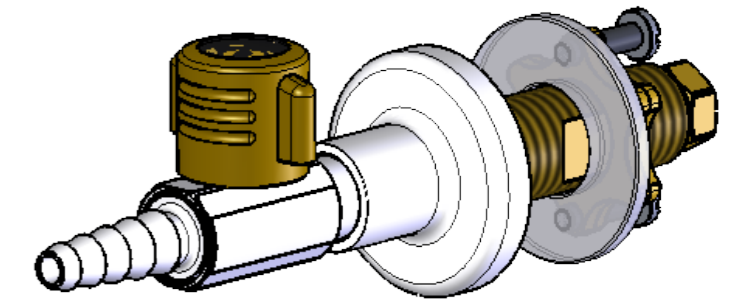
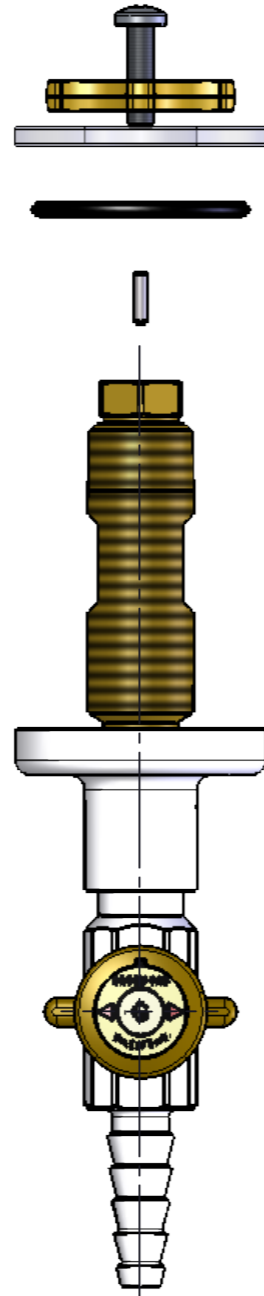
Mounting:
1/2" nut with locking plate, O-ring and washer (See 94G0232)

Inlet / outlet connection:
Compression fitting for OD 12mm tube
DIN 12 898 hose nozzle

Lift/Turn handle



Fixed metal nozzle



MEDIA CODE XX FOR
BURNING GAS FITTINGS FOR
LIFT / TURN HANDLE
ACCORDING TO EN 13792
*Model shown for G

Media	Media description	Media code XX
G	Natural gas	10
LPG	Propane/butane (liquefied gasses)	12

Description: 1-Valve, Wall mounted, 1-Hole, , DIN 12 898 hose nozzle

						Media: Burning gases
						Comments:
						Drawing type: Customer drawing
						Weight: 0.540 Kg
Rev.	Pos.	Date	TM No.	Design by	Drawn by:	Change:
						Designed by: ROE
						Drawn by: PEC
						Released on TM No.
						Date (DD-MM-YY): 25-02-21
						Format: A3
						Drawing No.: 252072280XX-14S

BROEN-LAB

This drawing is our property and cannot be given to a third party, copied or otherwise used without our permission. BROEN-LAB A/S.