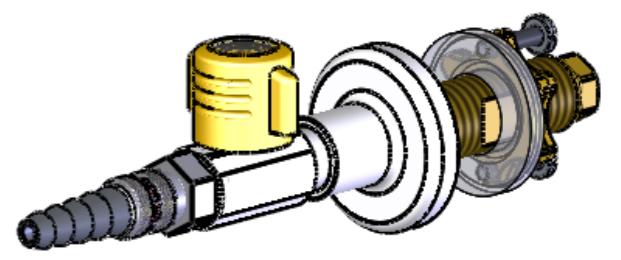
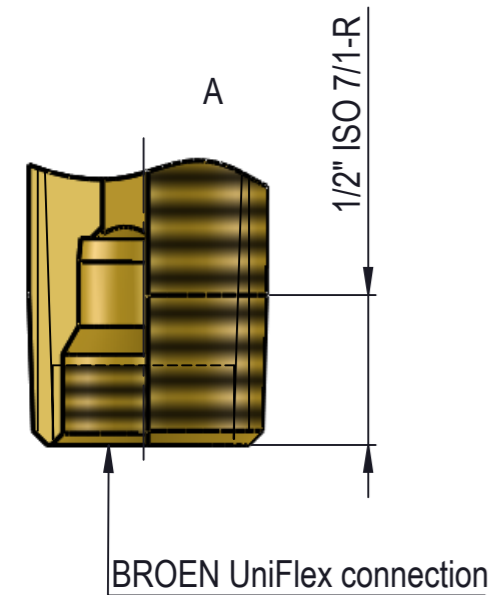
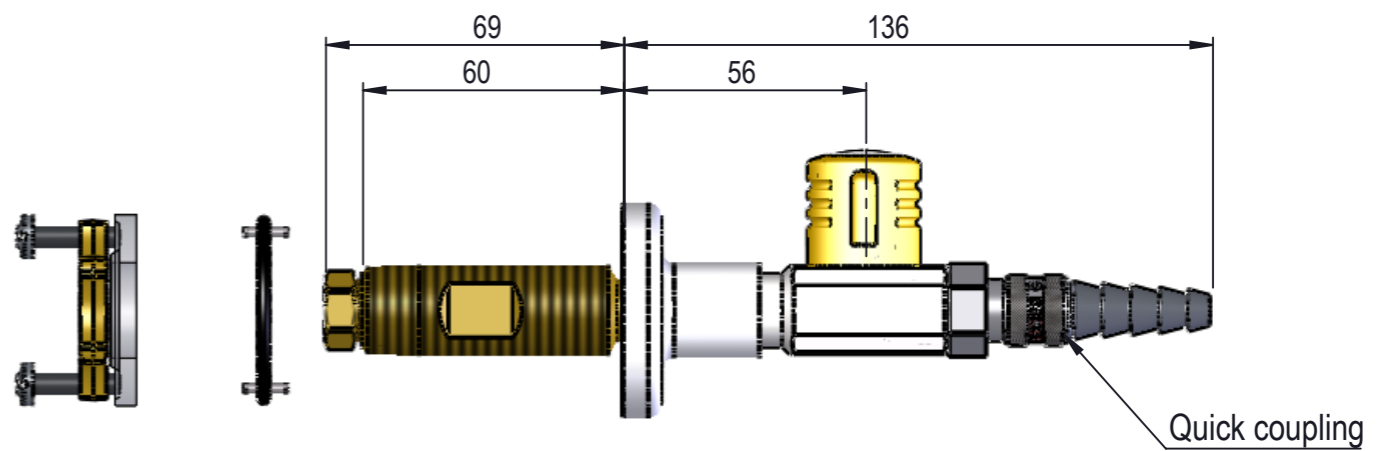
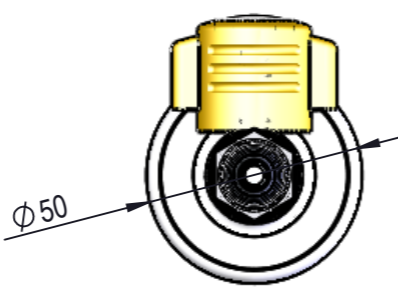


Area of Application:
 Wall mounted
 Burning gases
 Max. working pressure 7 bar

Details:
 "Lift/turn" safety handle, open/close 90°
 3-Zone colour, acc. to EN13792:2002
 Quick coupling
 Materials in media contact:
 Brass, CW614N
 Rubber, NBR
 Mineral oil based lubricant
 Chrome plated, Brass CW614N

Mounting:
 1/2" nut with locking pins o-ring and washer
 Inlet / outlet connection:
 UniFlex
 DIN 12 898, form A, size 1, 1/2" hose nozzle



MEDIA CODE XX FOR BURNING GAS FITTINGS FOR SCHOOL GAS ACCORDING TO EN 13792

Media	Media description	Media code XX
G	Natural gas	10
LPG	Propane/butane (liquefied gasses)	12

Description: 1-Valve, Wall mounted, 1-Hole, Fixed, UniFlex							Media: Burning gases			
							Comments:			
							Drawing type: Assembly drawing			
							Weight: 0.565 Kg			
Rev.	Pos.	Date	TM No.	Design by	Drawn by:	Change:	Designed by: BJP	Drawn by: BJP	Released on TM No.	Date: 28-04-16
BROEN-LAB							Format: A3		Drawing No.: 252082280XX-14S	
This drawing is our property and cannot be given to a third party, copied or otherwise used without our permission. BROEN-LAB A/S.										