

Area of Application:  
Turret (180°)  
Burning gases

Max. working pressure 7 bar

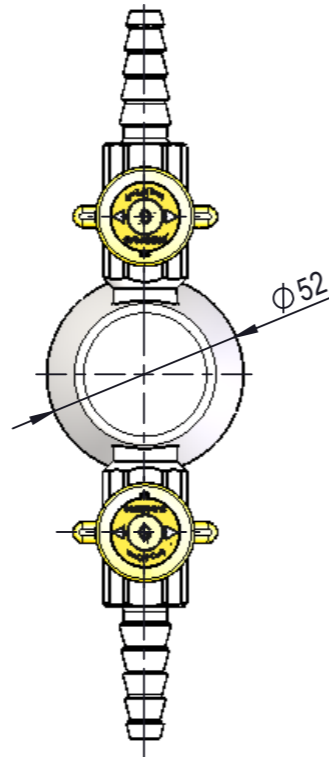
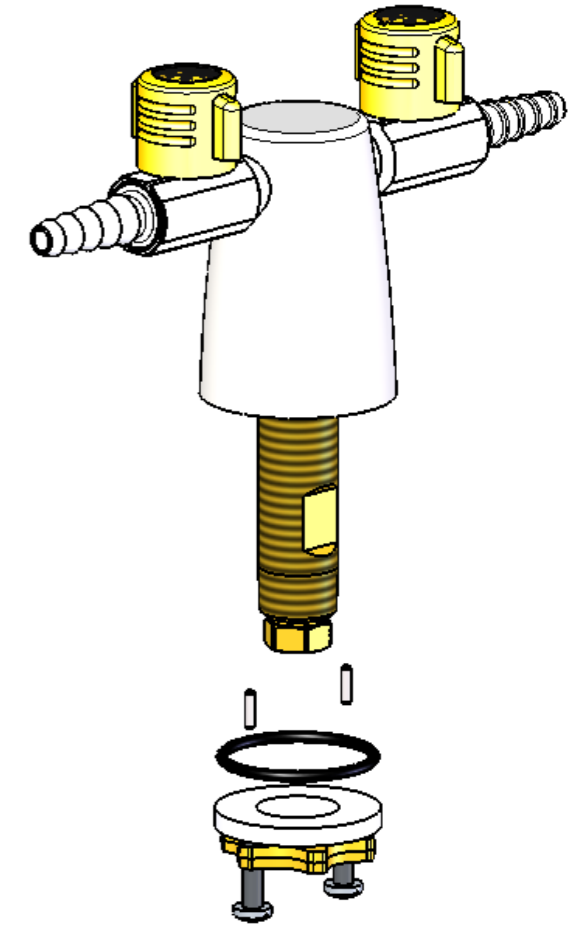
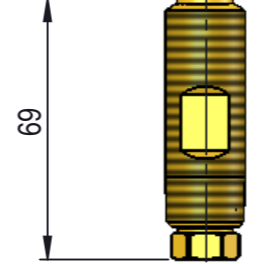
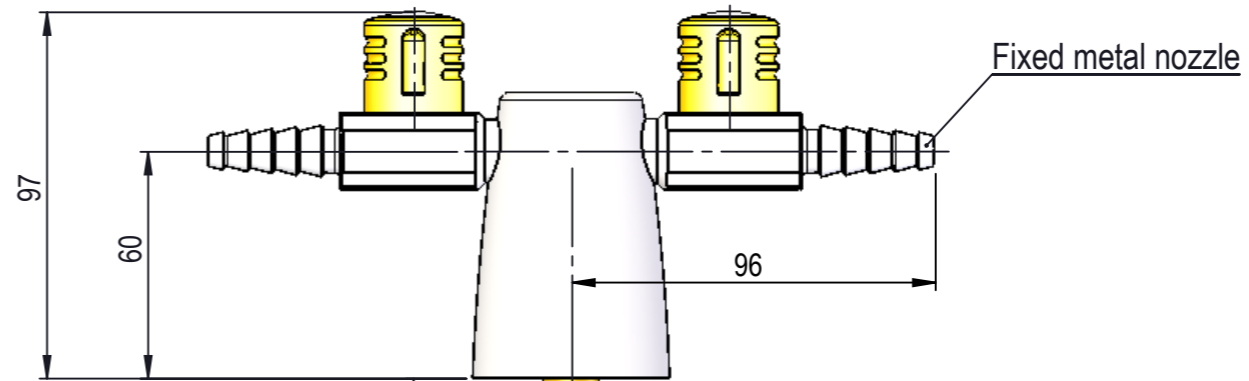
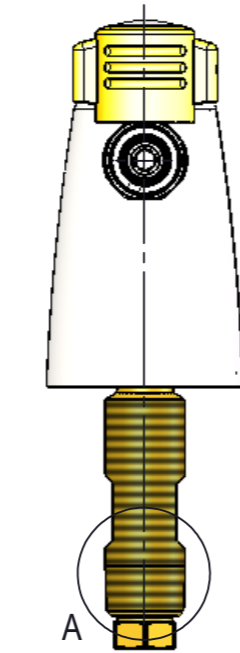
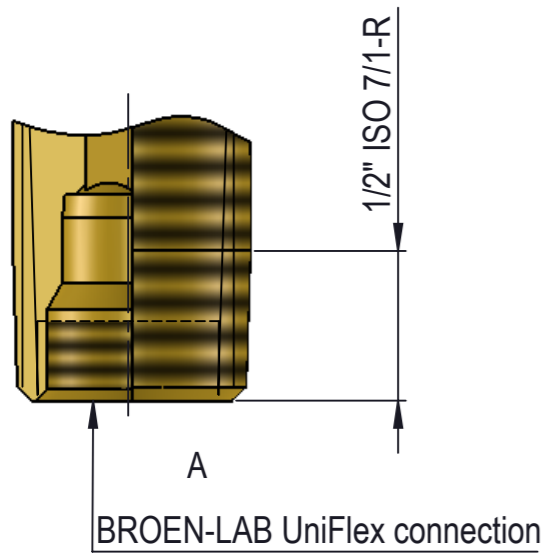
Details:  
"Lift/turn" safety handle, open/close 90°  
3-Zone colour, acc. to EN13792:2002

Fixed nozzle

Materials in media contact:  
Brass  
Nickel plated, Brass  
POM  
Rubber, NBR  
Mineral oil based lubricant

Mounting:  
1/2" nut with locking pins o-ring and washer

Inlet / outlet connection:  
Compression fitting for OD 12mm tube  
DIN 12 898, form A, size 1, 1/2" hose nozzle



MEDIA CODE XX FOR  
GAS FITTINGS WITH  
LIFT/TURN-HANDLE  
ACCORDING TO EN 13792

Media	Media description	Media code XX
G	Natural gas	10
LPG	Propane/butane (liquefied gasses)	12

Description: 2-Valves, Turret (180°), 1-Hole, Fix. Nozzle, UniFlex

						Media: Burning gases					
						Comments:					
						Drawing type: Customer drawing		Weight: 0.790 Kg			
Rev.	Pos.	Date	TM No.	Design by	Drawn by:	Change:	Designed by: BJP	Drawn by: MWA	Released on TM No.	Date: 02-05-2017	
<b>BROEN-LAB</b>						This drawing is our property and cannot be given to a third party, copied or otherwise used without our permission. BROEN-LAB A/S.		Format: A3		Drawing No.: 252031980XX-14S	