

Area of Application:  
Turret (180°)  
Burning gases

Max. working pressure 7 bar

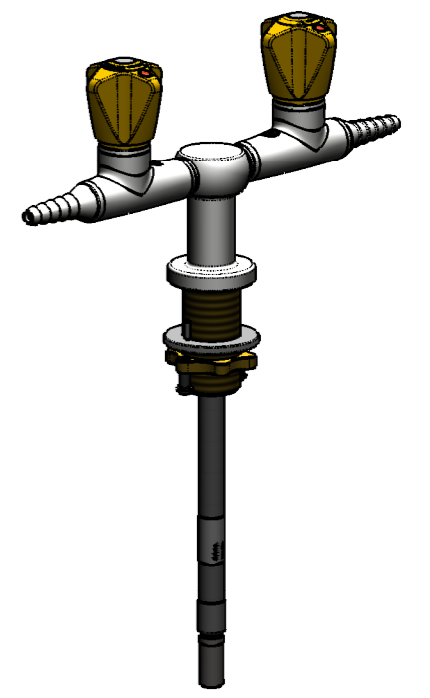
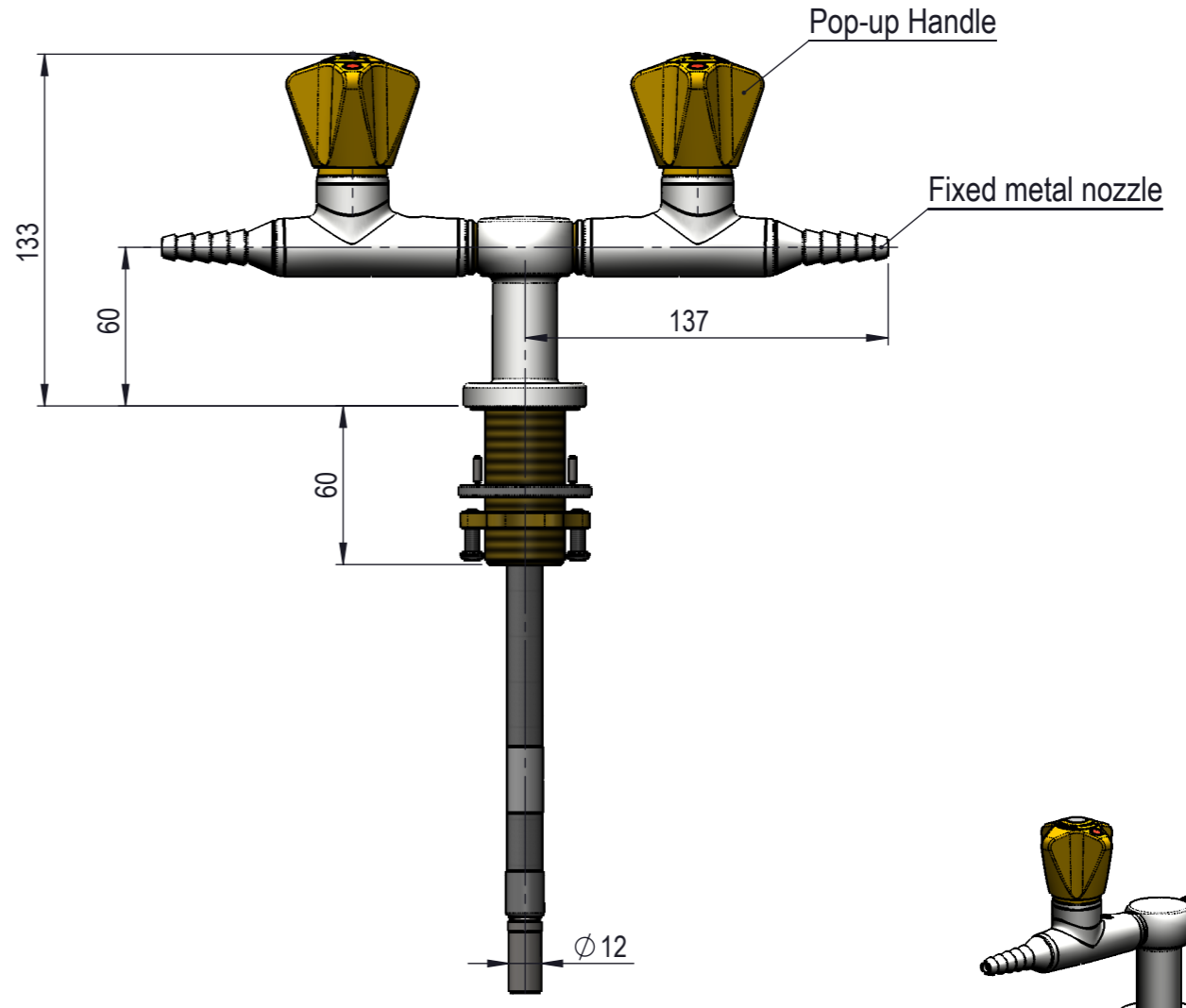
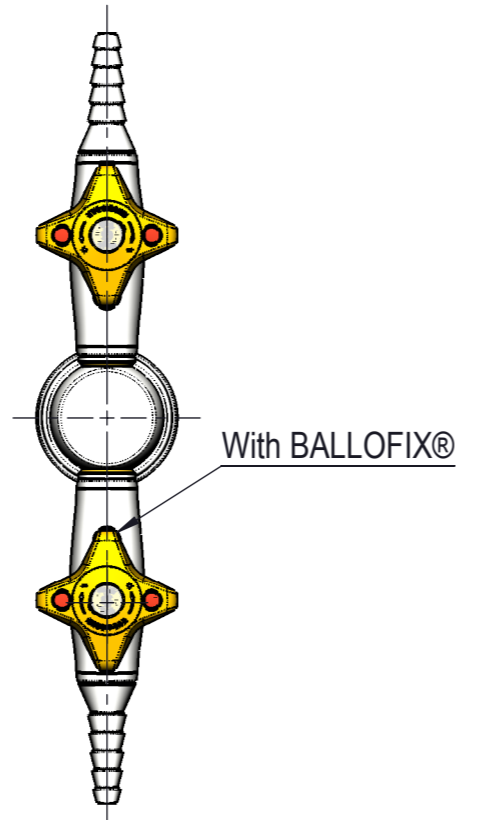
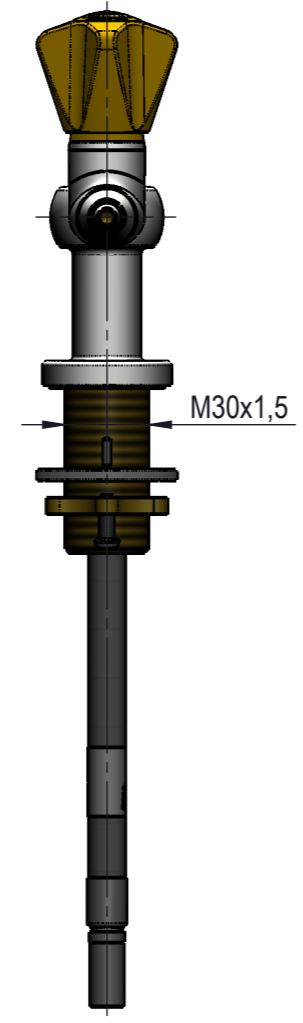
Details:  
"Press/turn" safety ceramic headwork open/close 90°  
"Pop-up" for visual indication of open-position

Fixed nozzle

Materials in media contact:  
Brass  
Rubber, NBR  
Mineral oil based lubricant  
SS, AISI 316  
Ceramic  
POM

Mounting:  
M30x1,5 nut with locking pins, O-ring and washer (See 94G0232)

Inlet / outlet connection:  
DN8 hose with Ø12mm inlet  
DIN 12 898 hose nozzle



MEDIA CODE XX FOR  
BURNING GAS FITTINGS WITH  
PRESS / TURN HEADWORK AND  
PRESS / TURN HANDLE ( pop up )  
ACCORDING TO EN 13792  
\*Model shown for G

Media	Media description	Media code XX
G	Natural gas	10
LPG	Propane/butane (liquefied gasses)	12
C <sub>4</sub> H <sub>10</sub>	Butane	14
C <sub>3</sub> H <sub>8</sub>	Propane	16
C <sub>2</sub> H <sub>2</sub>	Acetylene	18
H <sub>2</sub>	Hydrogen	20
CH <sub>4</sub>	Methane	46

Description: 2-Valves, Turret (180°), 1-Hole, Fix. Nozzle, M30x1,5mm, Hose

						Media: Burning gases					
						Comments:					
						Drawing type: Customer drawing		Weight: 1.597 Kg			
						Designed by: VJE		Released on TM No.:		Date (DD-MM-YY): 19-03-21	
						Drawn by: MWA		Format: A3		Drawing No.: 253203010XX-52M	
Rev.	Pos.	Date	TM No.	Design by	Drawn by:	Change:		This drawing is our property and cannot be given to a third party, copied or otherwise used without our permission. BROEN-LAB A/S.			

**BROEN-LAB**