

Area of Application:
Turret (90°)
Burning gases

Max. working pressure 7 bar

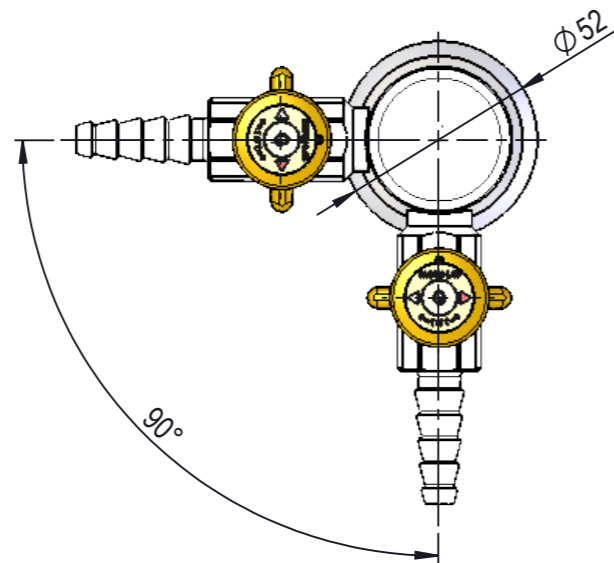
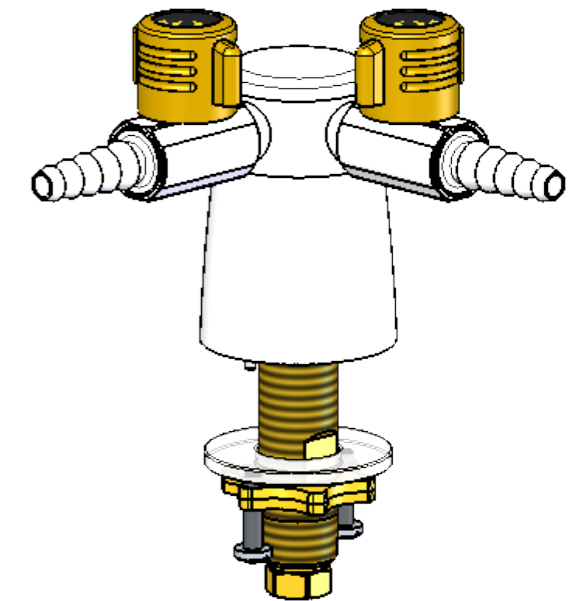
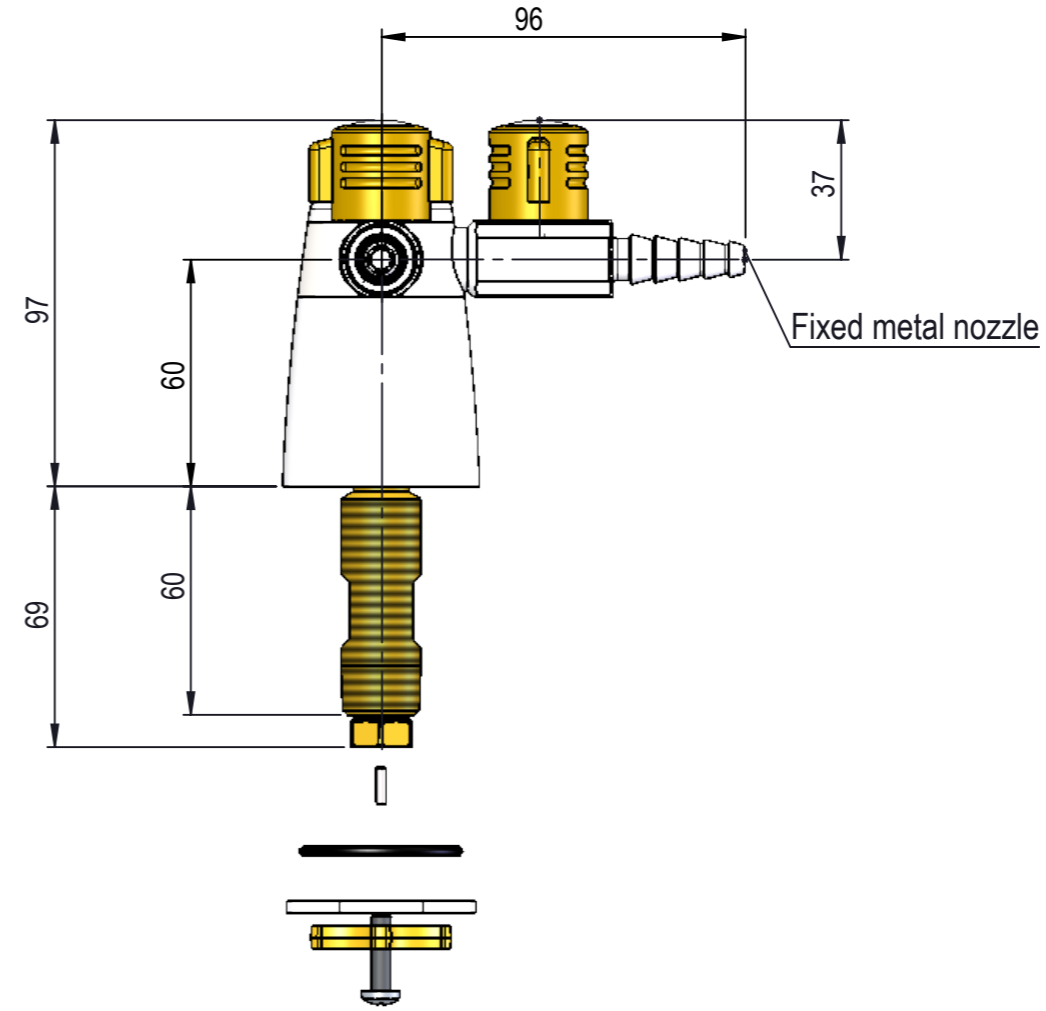
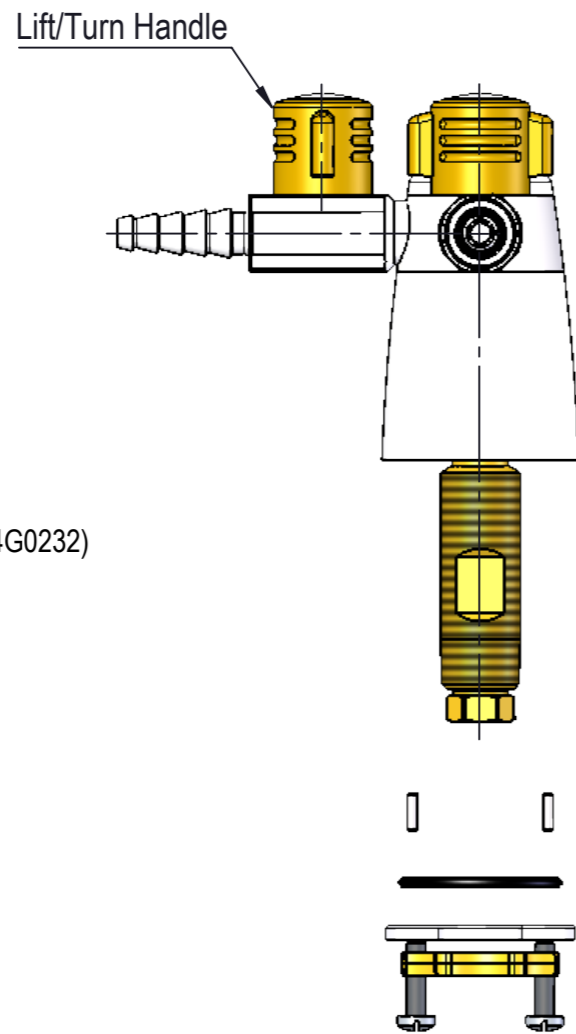
Details:
"Lift/turn" safety handle, open/close 90°
3-Zone colour, acc. to EN13792:2002

Fixed nozzle

Materials in media contact:
Brass
Nickel plated, Brass
Rubber, NBR
Mineral oil based lubricant

Mounting:
1/2" nut with locking pins, O-ring and washer (See 94G0232)

Inlet / outlet connection:
Compression fitting for OD 12mm tube
DIN 12 898 hose nozzle



MEDIA CODE XX FOR
BURNING GAS FITTINGS FOR
LIFT / TURN HANDLE
ACCORDING TO EN 13792
*Model shown for G

Media	Media description	Media code XX
G	Natural gas	10
LPG	Propane/butane (liquefied gasses)	12

Description: 2-Valves, Turret (90°), 1-Hole, ., DIN 12 898 hose nozzle

						Media: Burning gases					
						Comments:					
						Drawing type: Customer drawing					
						Weight: 0.780 Kg					
Rev.	Pos.	Date	TM No.	Design by	Drawn by:	Change:	Designed by: ROE	Drawn by: PEC	Released on TM No.	Date (DD-MM-YY): 25-02-21	
BROEN-LAB						This drawing is our property and cannot be given to a third party, copied or otherwise used without our permission. BROEN-LAB A/S.		Format: A3		Drawing No.: 252031880XX-14S	