

**Area of Application:**

Wall  
Burning gases

Max. working pressure 7 bar

**Details:**

"Lift/turn" safety handle, open/close 90°  
3-Zone colour, acc. to EN13792:2002

Fixed nozzle

**Materials in media contact:**

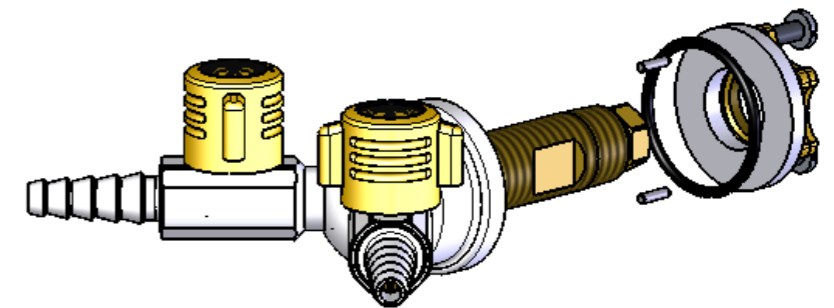
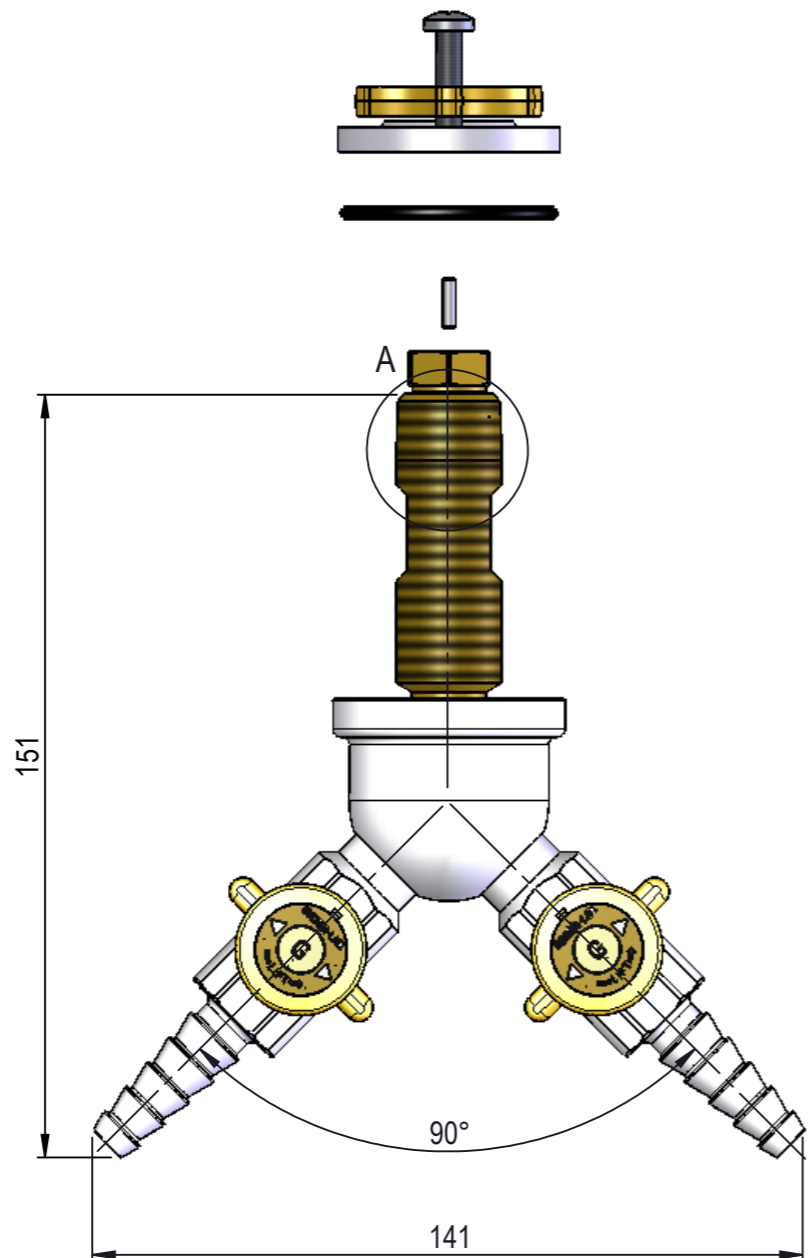
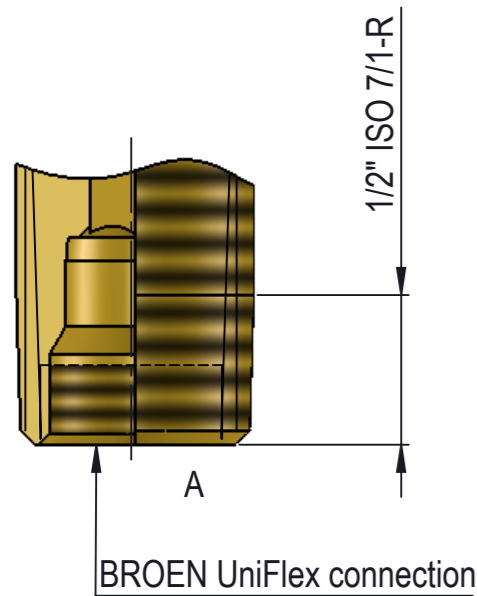
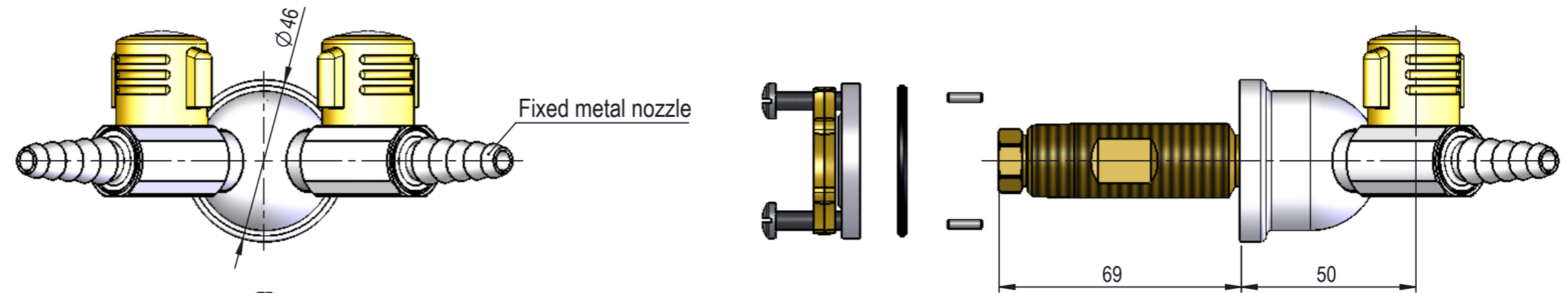
Brass  
Rubber, NBR  
Mineral oil based lubricant  
Nickel plated, Brass

**Mounting:**

1/2" nut with locking pins o-ring and washer

**Inlet / outlet connection:**

Compression fitting for OD 12mm tube  
DIN 12 898, form A, size 1, 1/2" hose nozzle



MEDIA CODE XX FOR  
BURNING GAS FITTINGS FOR  
SCHOOLGAS  
ACCORDING TO EN 13792

Media	Media description	Media code XX
G	Natural gas	10
LPG	Propane/butane (liquefied gasses)	12

Description: 2-Valves, Wall, 1-Hole, Fix. Nozzle, UniFlex

						Media: Burning gases
						Comments:
						Drawing type: Customer drawing
						Weight: 0.811 Kg
Rev.	Pos.	Date	TM No.	Design by	Drawn by:	Change:
					BJP	MWA
						Designed by: BJP
						Drawn by: MWA
						Released on TM No.:
						Date: 02-05-2017
						Format: A3
						Drawing No.: 252011680XX-14S

**BROEN-LAB**

This drawing is our property and cannot be given to a third party, copied or otherwise used without our permission. BROEN-LAB A/S.