

Area of Application:  
Turret (90°)  
Burning gases

Max. working pressure 7 bar

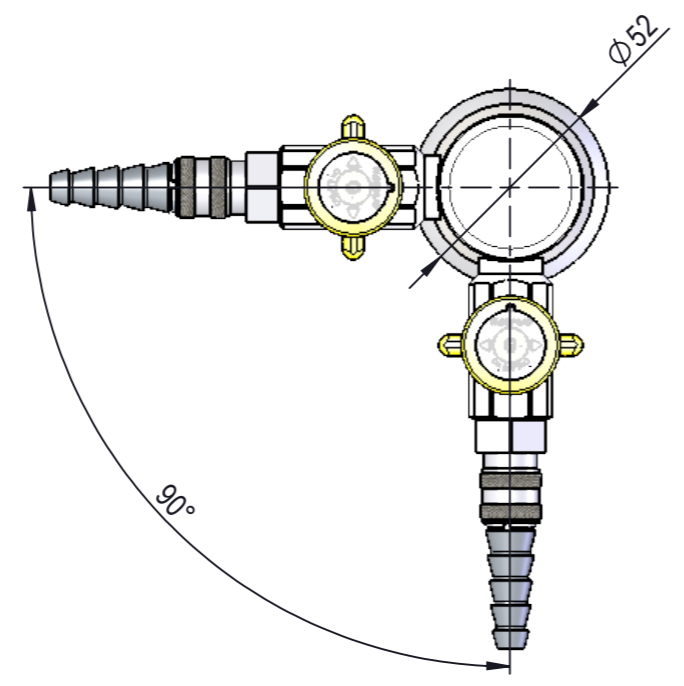
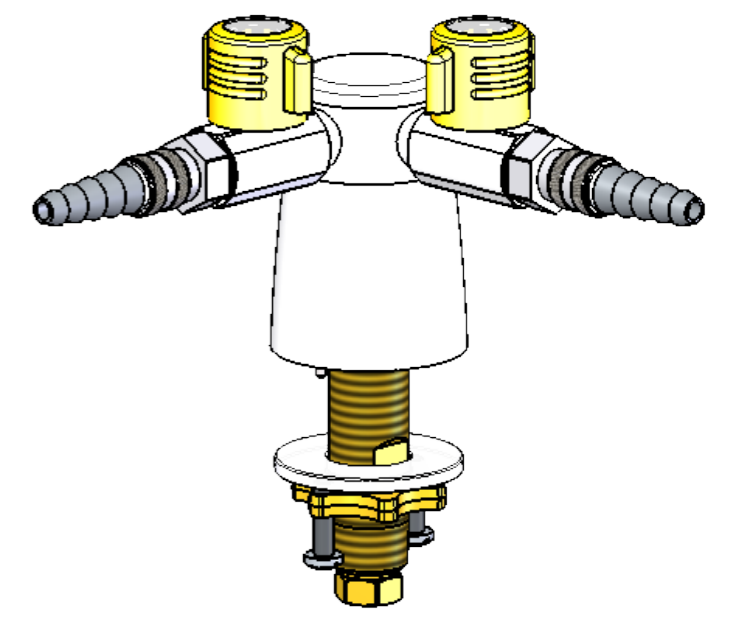
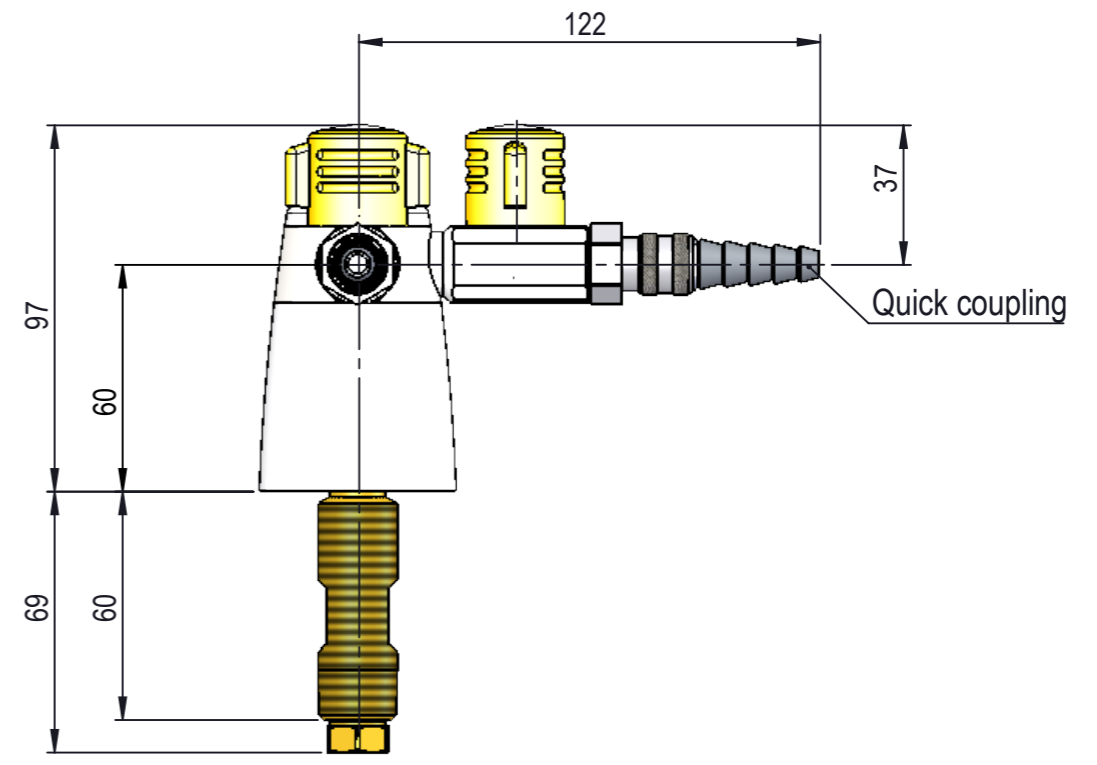
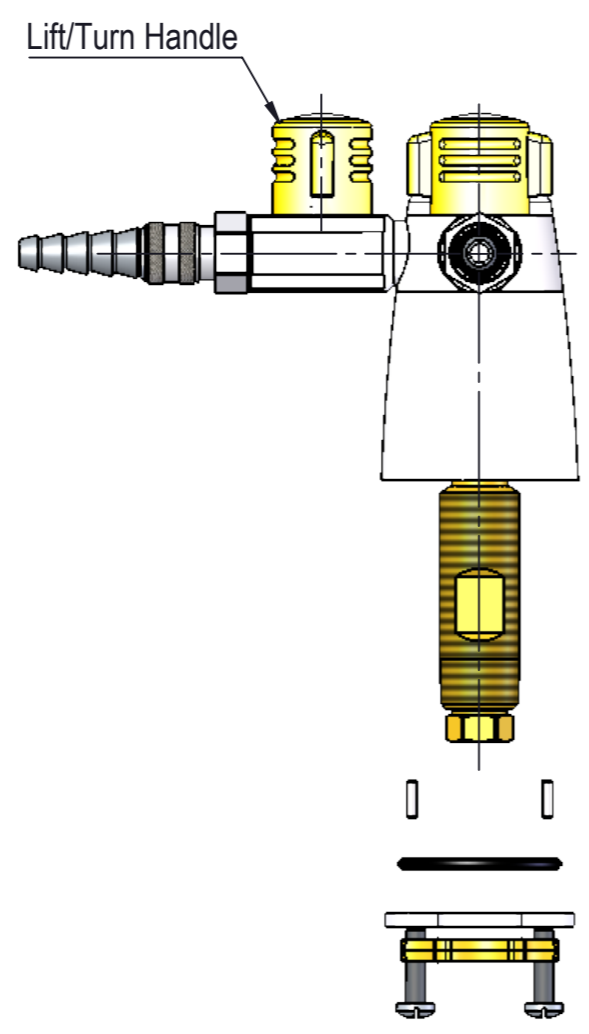
Details:  
"Lift/turn" safety handle, open/close 90°  
3-Zone colour, acc. to EN13792:2002

Quick coupling

Materials in media contact:  
Brass  
Nickel plated, Brass  
Chrome plated, Brass  
Rubber, NBR  
Mineral oil based lubricant

Mounting:  
1/2" nut with locking pins, O-ring and washer (See 94G0232)

Inlet / outlet connection:  
Compression fitting for OD 12mm tube  
DIN 12 898 hose nozzle



MEDIA CODE XX FOR  
BURNING GAS FITTINGS FOR  
LIFT / TURN HANDLE  
ACCORDING TO EN 13792  
\*Model shown for G

Media	Media description	Media code XX
G	Natural gas	10
LPG	Propane/butane (liquefied gases)	12

Description: 2-Valves, Turret (90°), 1-Hole, ., DIN 12 898 hose nozzle							Media: Burning gases			
							Comments:			
							Drawing type: Customer drawing			
							Weight: 0.867 Kg			
Rev.	Pos.	Date	TM No.	Design by	Drawn by:	Change:	Designed by: ROE	Drawn by: PEC	Released on TM No.	Date (DD-MM-YY): 25-02-21
<b>BROEN-LAB</b>							Format: A3		Drawing No.: 252041880XX-14S	
							This drawing is our property and cannot be given to a third party, copied or otherwise used without our permission. BROEN-LAB A/S.			