

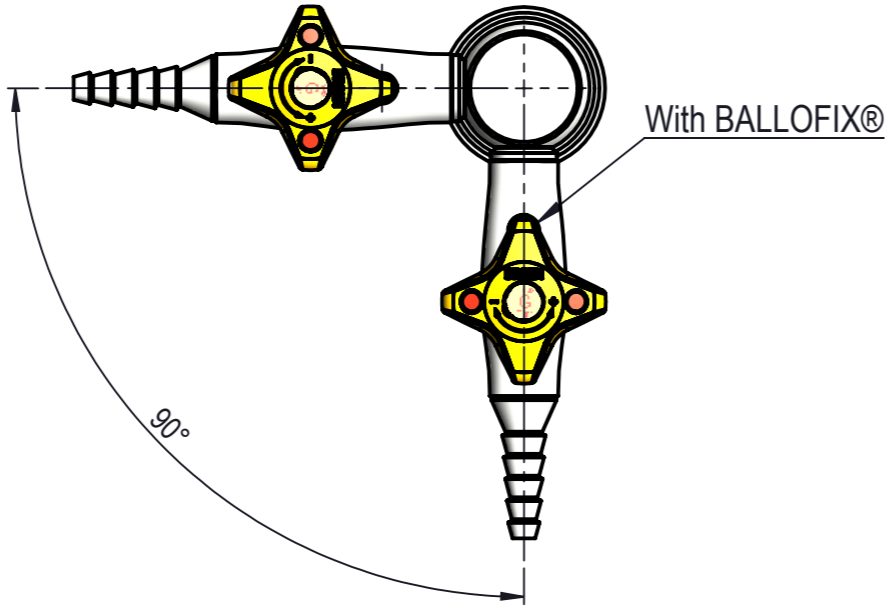
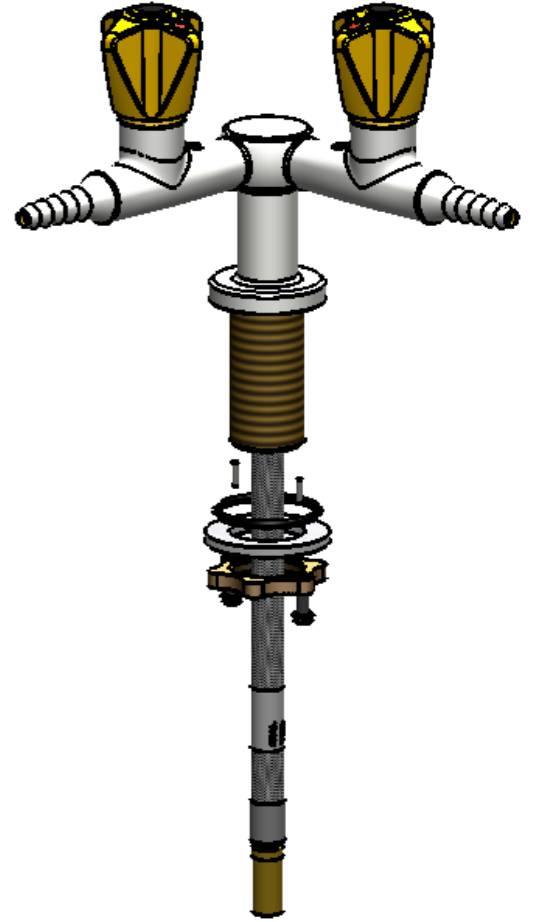
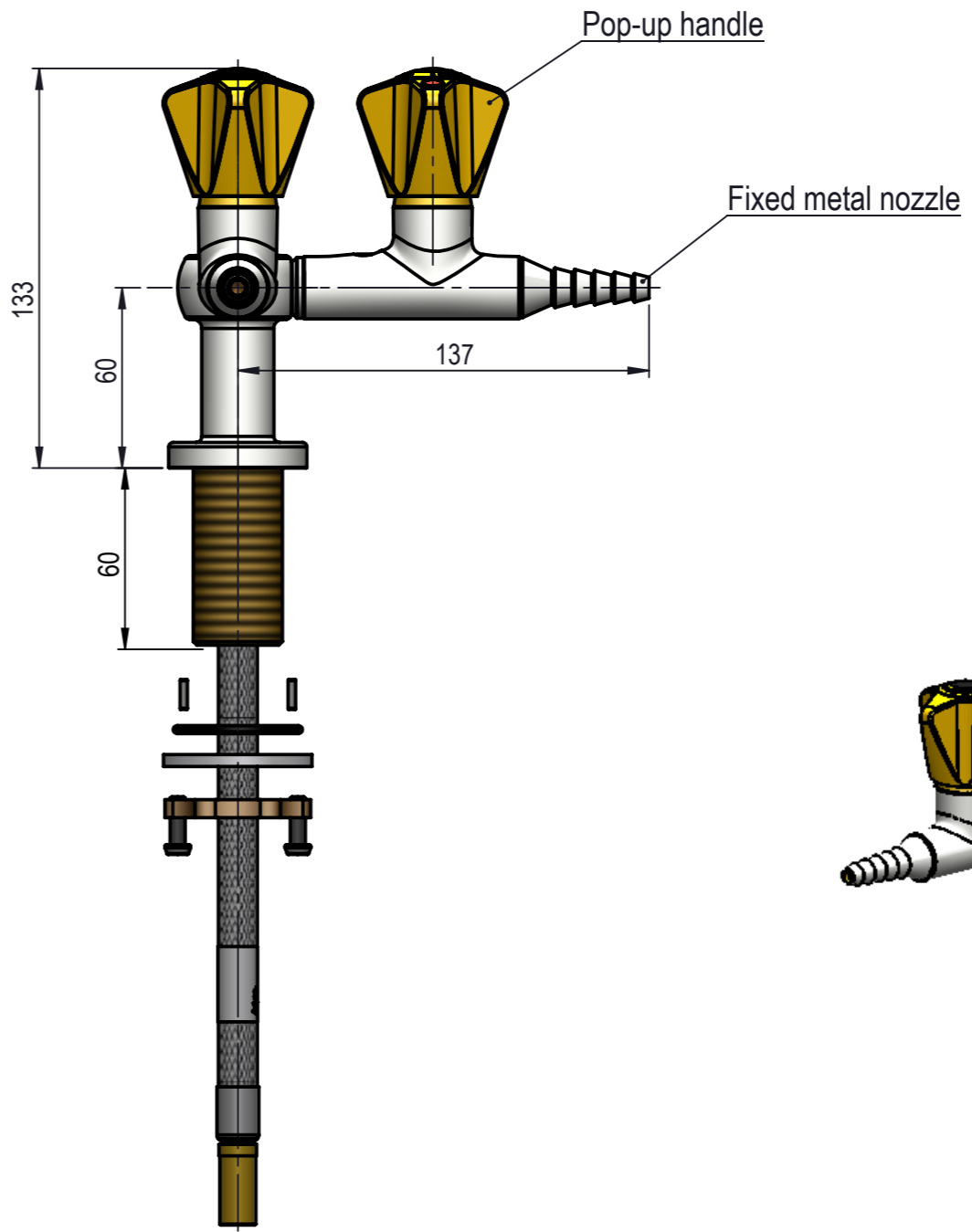
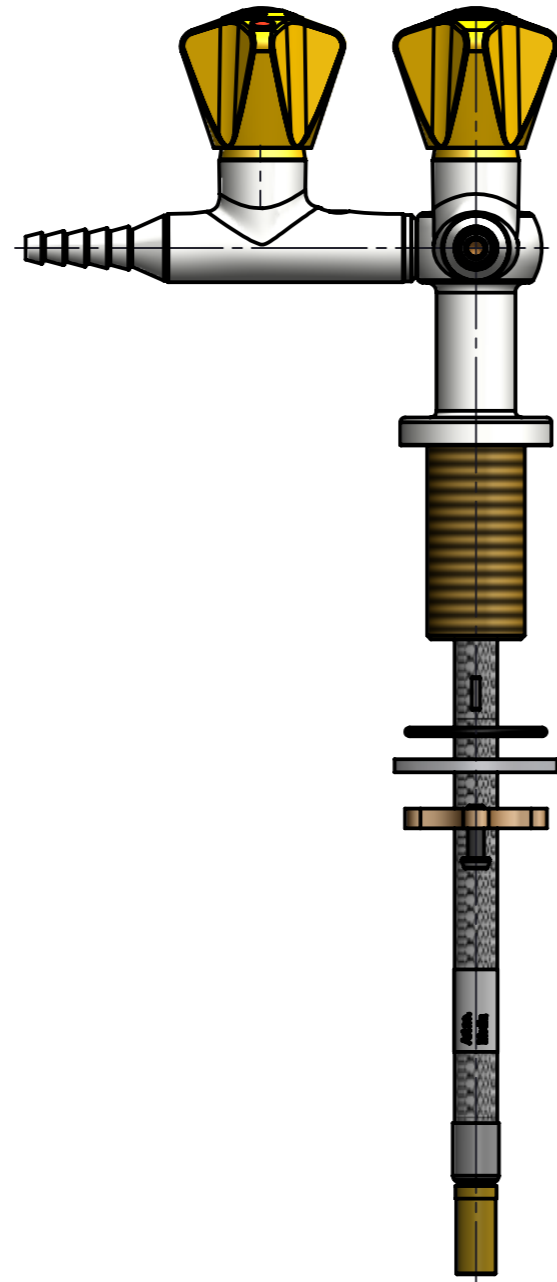
Area of Application:  
Turret (90°)  
Burning gases  
Max. working pressure 7 bar

Details:  
"Press/turn" safety ceramic headwork open/close 90°  
"Pop-up" for visual indication of open-position

Fixed nozzle  
Materials in media contact:  
Brass, CW614N  
Rubber, NBR  
Mineral oil based lubricant  
Brass, CW617N

Mounting:  
M30 nut with locking pins o-ring and washer

Inlet / outlet connection:  
DN8 hose with Ø12mm inlet  
DIN 12 898, form A, size 1, 1/2" hose nozzle



MEDIA CODE XX FOR BURNING GAS FITTINGS WITH PRESS / TURN HANDLE		
Media	Media description	Media code XX
G	Natural gas	10
LPG	Propane/butane (liquefied gasses)	12
C <sub>4</sub> H <sub>10</sub>	Butane	14
C <sub>3</sub> H <sub>8</sub>	Propane	16
C <sub>2</sub> H <sub>2</sub>	Acetylene	18
H <sub>2</sub>	Hydrogen	20

Description: 2-Valves, Turret (90°), 1-Hole, Fix. Nozzle, M30x1,5mm, Hose							Media: Burning gases			
							Comments:			
							Drawing type: Customer drawing			
							Weight: 1.572 Kg			
Rev.	Pos.	Date	TM No.	Design by	Drawn by:	Change:	Designed by: VJE	Drawn by: MWA	Released on TM No.	Date: 18-04-2016
<b>BROEN-LAB</b>							Format: A3		Drawing No.: 253203410XX-52M	
This drawing is our property and cannot be given to a third party, copied or otherwise used without our permission. BROEN-LAB A/S.										