

Area of Application:
Wall/Panel mounted
Burning gases

Max. working pressure 7 bar

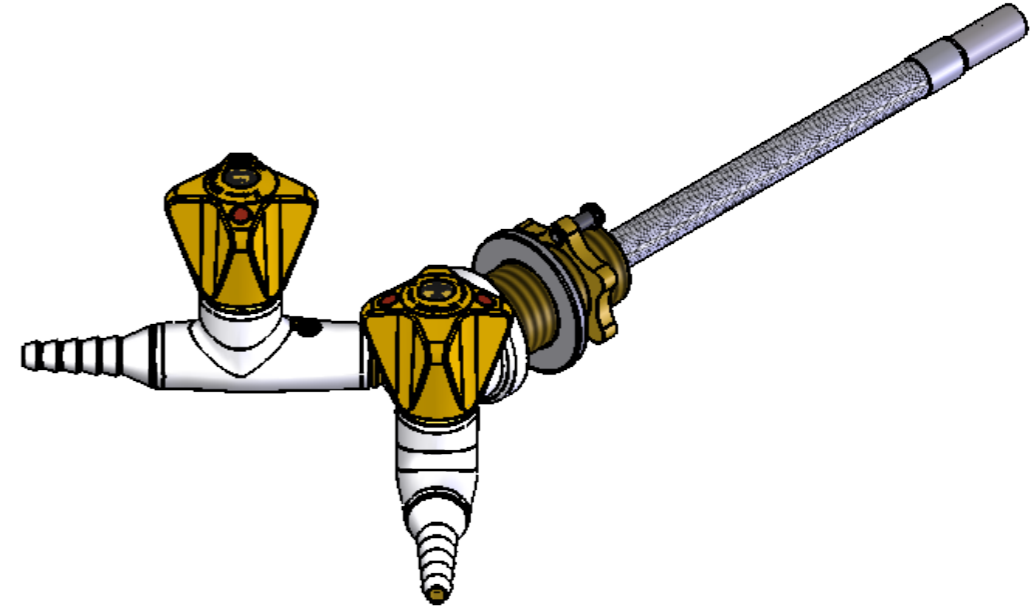
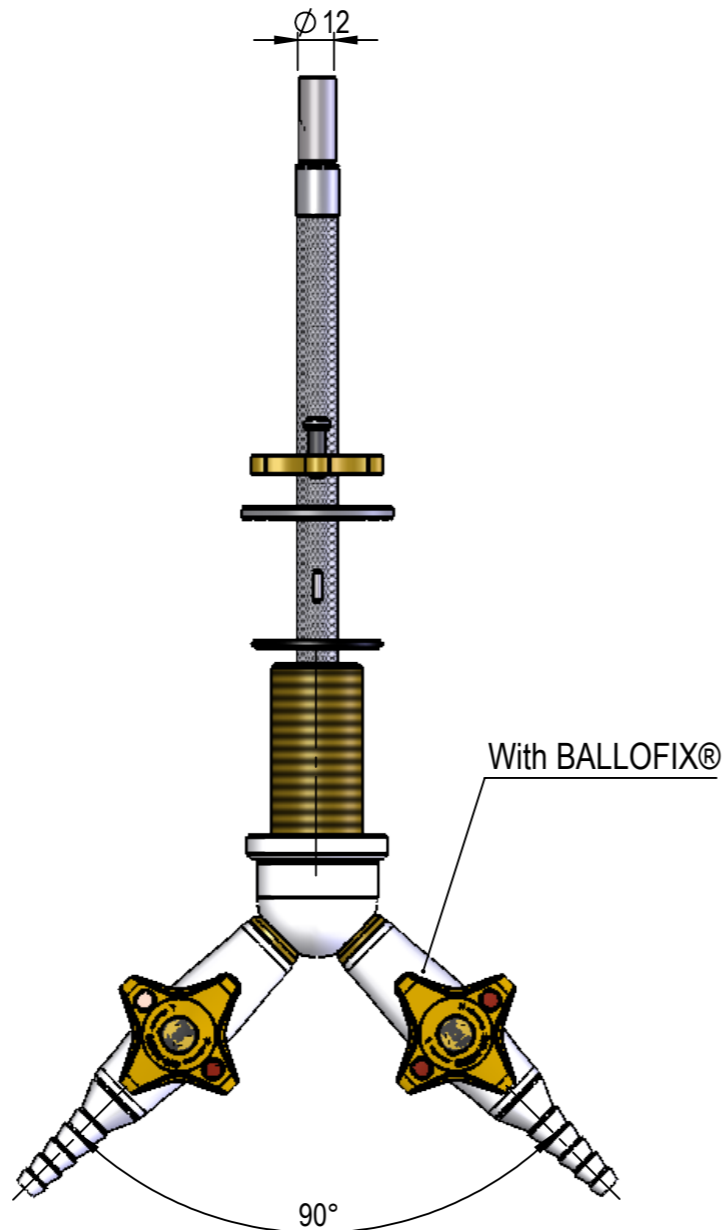
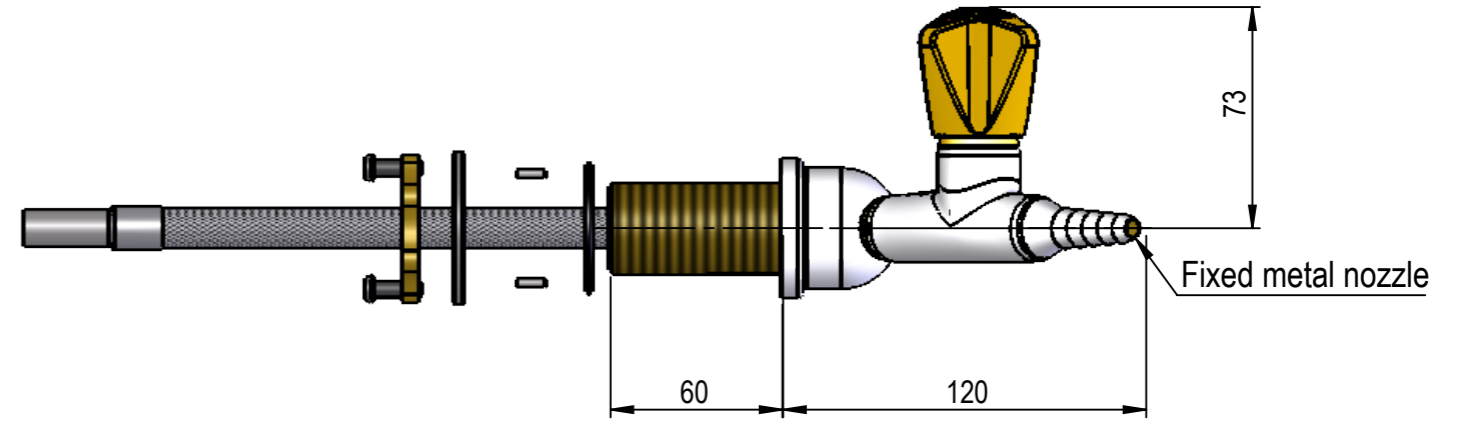
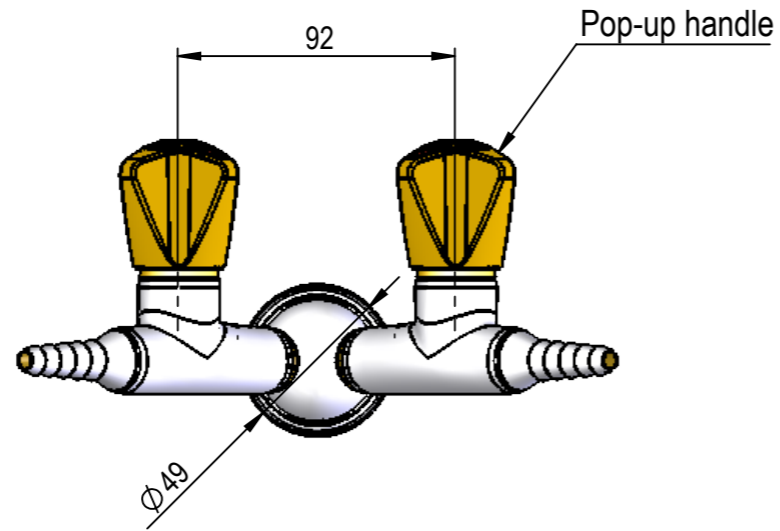
Details:
"Press/turn" safety ceramic headwork open/close 90°
"Pop-up" for visual indication of open-position

Fixed nozzle

Materials in media contact:
Brass
Rubber, NBR
Mineral oil based lubricant
SS, AISI 316
Nickel plated, Brass

Mounting:
M30x1,5, Hose (See 94G0232)

Inlet / outlet connection:
DN8 hose with Ø12mm inlet
DIN 12 898 hose nozzle



MEDIA CODE XX FOR
BURNING GAS FITTINGS WITH
PRESS / TURN HEADWORK AND
PRESS / TURN HANDLE (pop up)
ACCORDING TO EN 13792
*Model shown for G

Media	Media description	Media code XX
G	Natural gas	10
LPG	Propane/butane (liquefied gasses)	12
C ₄ H ₁₀	Butane	14
C ₃ H ₈	Propane	16
C ₂ H ₂	Acetylene	18
H ₂	Hydrogen	20
CH ₄	Methane	46

Description: 2-Valves, Wall/Panel mounted, 1-Hole, Fix. Nozzle, DIN 12 898 hose nozzle

						Media: Burning gases	
						Comments:	
						Drawing type: Customer drawing	
						Weight: 1.579 Kg	
Rev.	Pos.	Date	TM No.	Design by	Drawn by:	Change:	Designed by: SJE
							Drawn by: SJE
						Released on TM No.:	
						Date (DD-MM-YY): 19-03-20	
						Format: A3	
						Drawing No.: 253206510XX-52M	

BROEN-LAB

This drawing is our property and cannot be given to a third party, copied or otherwise used without our permission. BROEN-LAB A/S.