

Area of Application:
Turret (360°)
Burning gases

Max. working pressure 7 bar

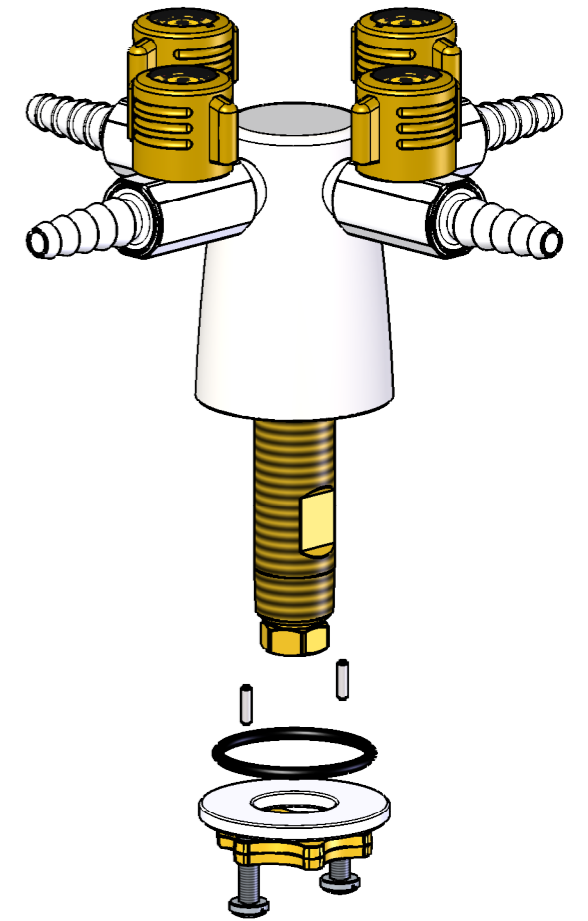
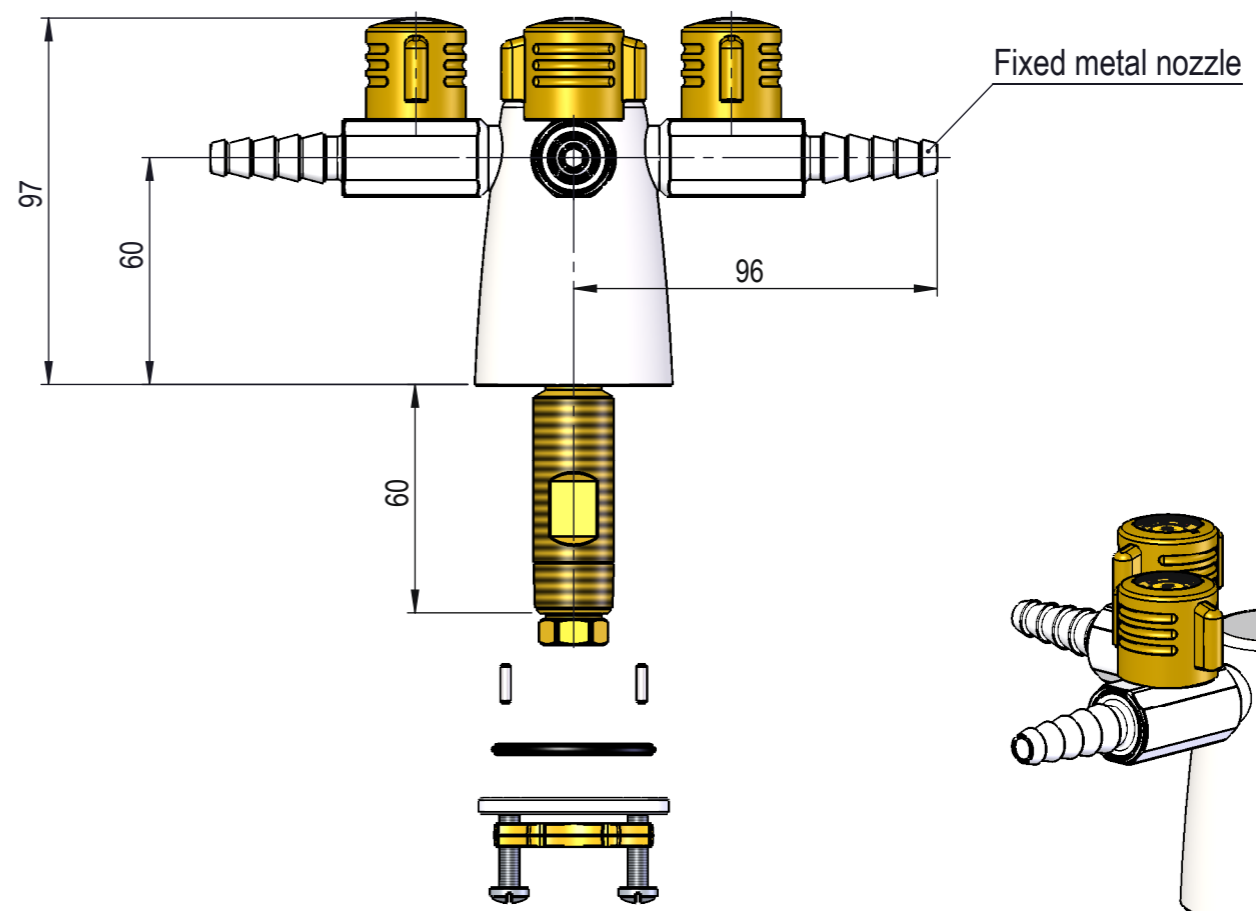
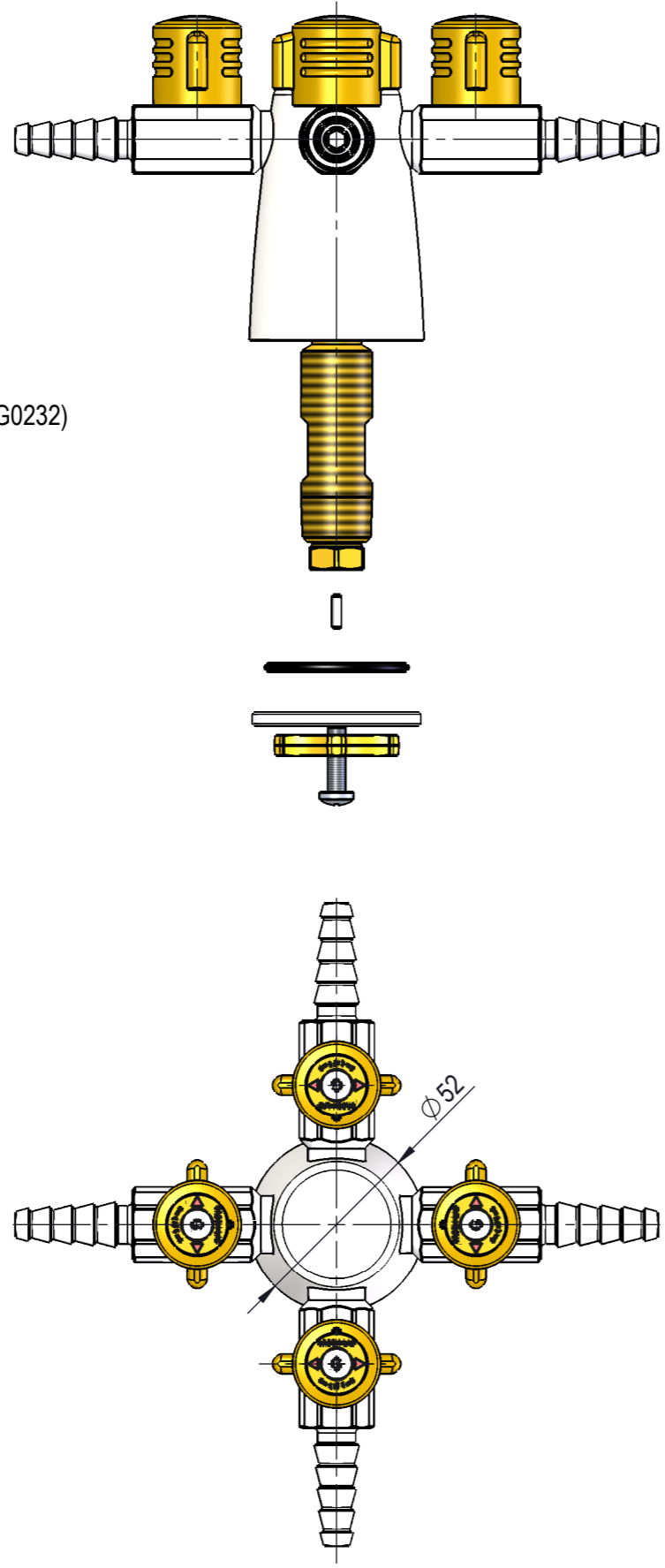
Details:
"Lift/turn" safety handle, open/close 90°
3-Zone colour, acc. to EN13792:2002

Fixed nozzle

Materials in media contact:
Brass
Nickel plated, Brass
POM
Rubber, NBR
Mineral oil based lubricant

Mounting:
1/2" nut with locking pins, O-ring and washer (See 94G0232)

Inlet / outlet connection:
Compression fitting for OD 12mm tube
DIN 12 898 hose nozzle



MEDIA CODE XX FOR
SCHOOL GAS FITTINGS WITH
LIFT/TURN-HANDLE
ACCORDING TO EN 13792

Media	Media description	Media code XX
G	Natural gas	10
LPG	Propane/butane (liquefied gasses)	12

Description: 4-Valves, Turret (360°), 1-Hole, Fixed, Compression fitting for OD 12mm tube										
								Media: Burning gases		
Comments:										
Drawing type: Customer drawing								Weight: 1.070 Kg		
Rev.	Pos.	Date	TM No.	Design by	Drawn by:	Change:	Designed by: BJP	Drawn by: MWA	Released on TM No.	Date: 11-01-21
BROEN-LAB							Format: A3		Drawing No.: 252032080XX-14S	
This drawing is our property and cannot be given to a third party, copied or otherwise used without our permission. BROEN-LAB A/S.										