

Area of Application:
Wall/Panel mounted
Burning gases

Max. working pressure 7 bar

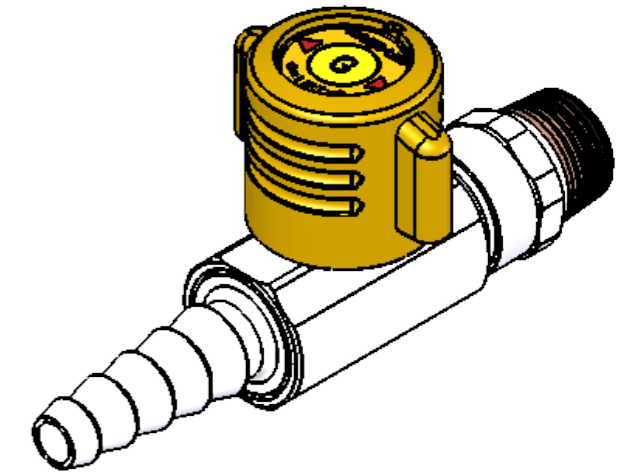
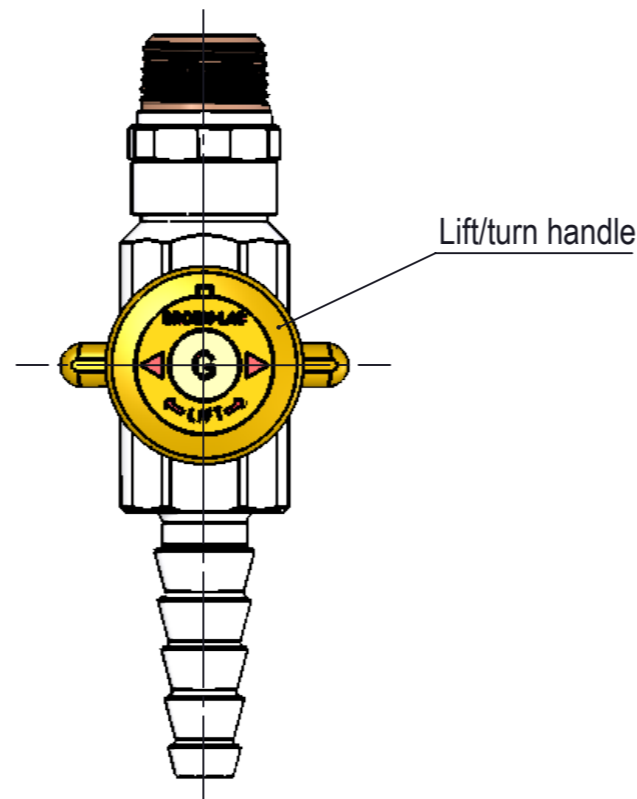
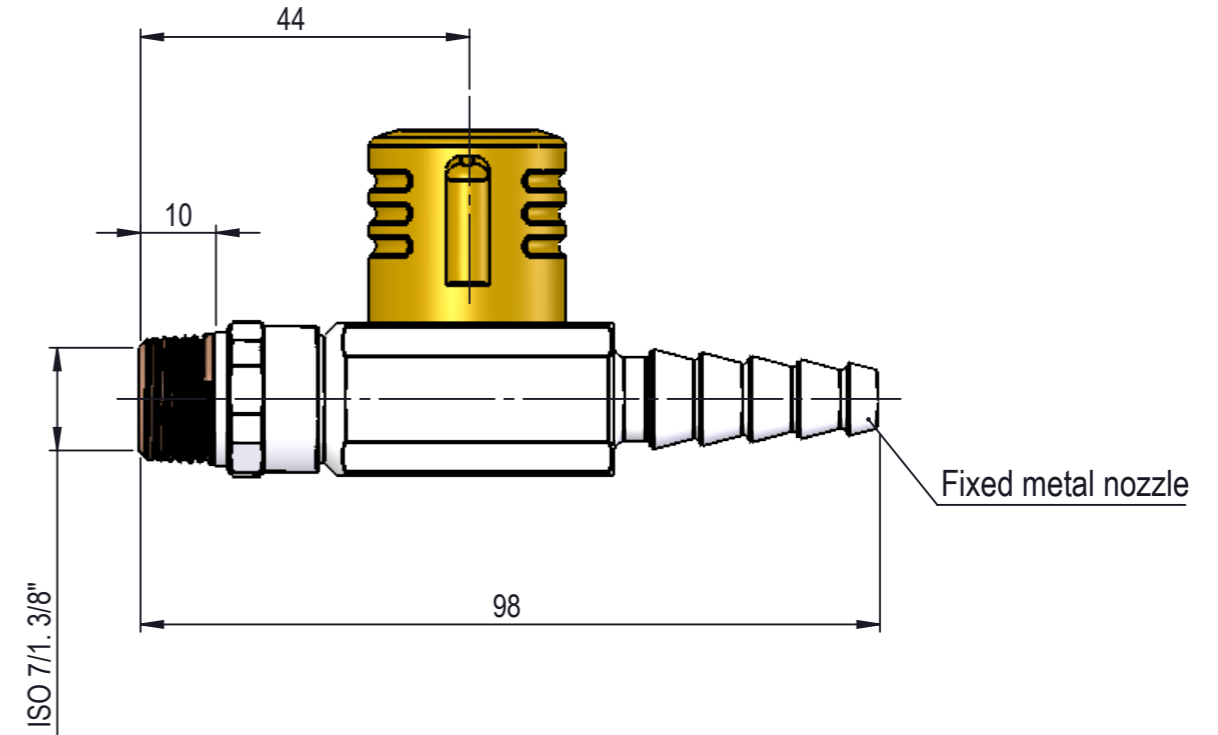
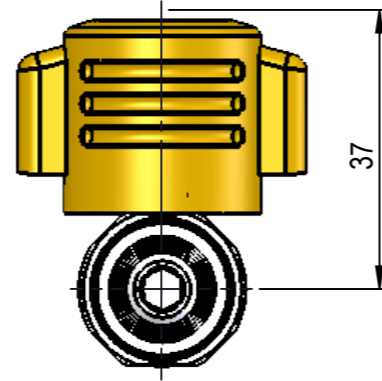
Details:
"Lift/turn" safety handle, open/close 90°
3-Zone colour, acc. to EN13792:2002

Fixed nozzle

Materials in media contact:
Brass
Rubber, NBR
Mineral oil based lubricant

Mounting:
Adaptor ISO7/1, 3/8"

Inlet / outlet connection:
ISO 7/1
DIN 12 898 hose nozzle



MEDIA CODE XX FOR
BURNING GAS FITTINGS FOR
LIFT / TURN HANDLE
ACCORDING TO EN 13792

Media	Media description	Media code XX
G	Natural gas	10
LPG	Propane/butane (liquefied gasses)	12

Description: 1-Valve, Wall/Panel mounted, ISO7/1, Fix. Nozzle, DIN 12 898 hose nozzle							Media: Burning gases	
							Comments:	
							Drawing type: Customer drawing	
							Weight: 0.183 Kg	
Rev.	Pos.	Date	TM No.	Design by	Drawn by:	Change:	Designed by: ROE	Drawn by: MWA
							Released on TM No.	
							Date (DD-MM-YY): 01-04-20	
BROEN-LAB							Format: A3	
This drawing is our property and cannot be given to a third party, copied or otherwise used without our permission. BROEN-LAB A/S.							Drawing No.: 252039780XX	