

Area of Application:  
Wall mounted  
Vacuum and Highflow

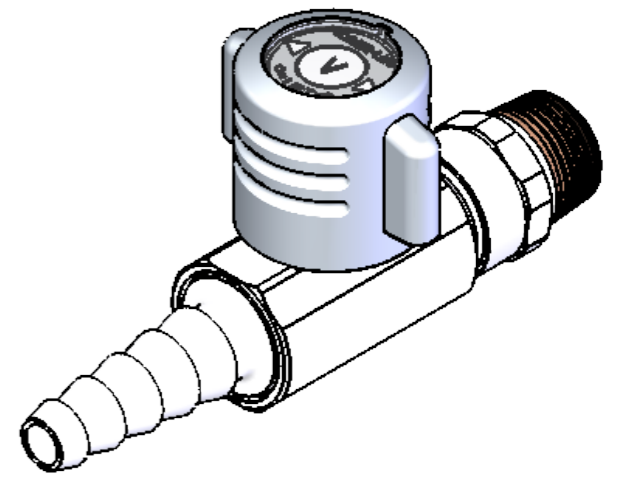
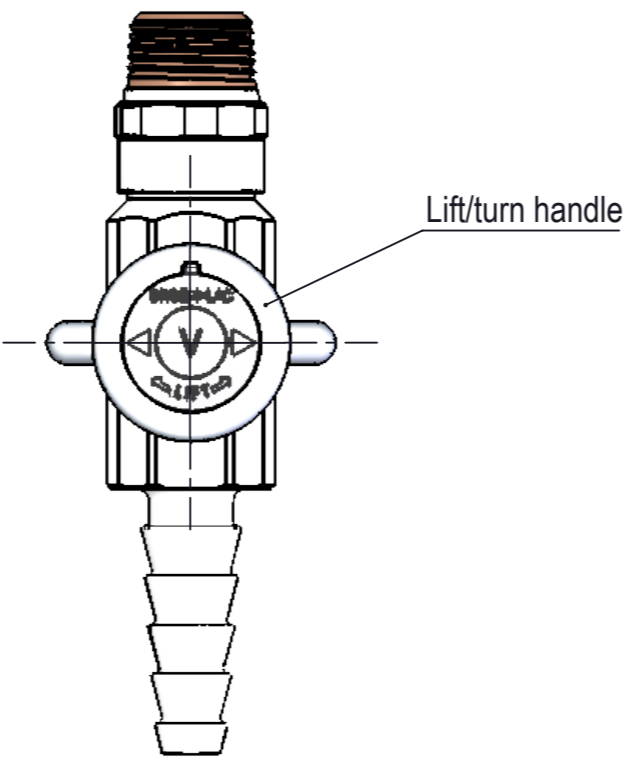
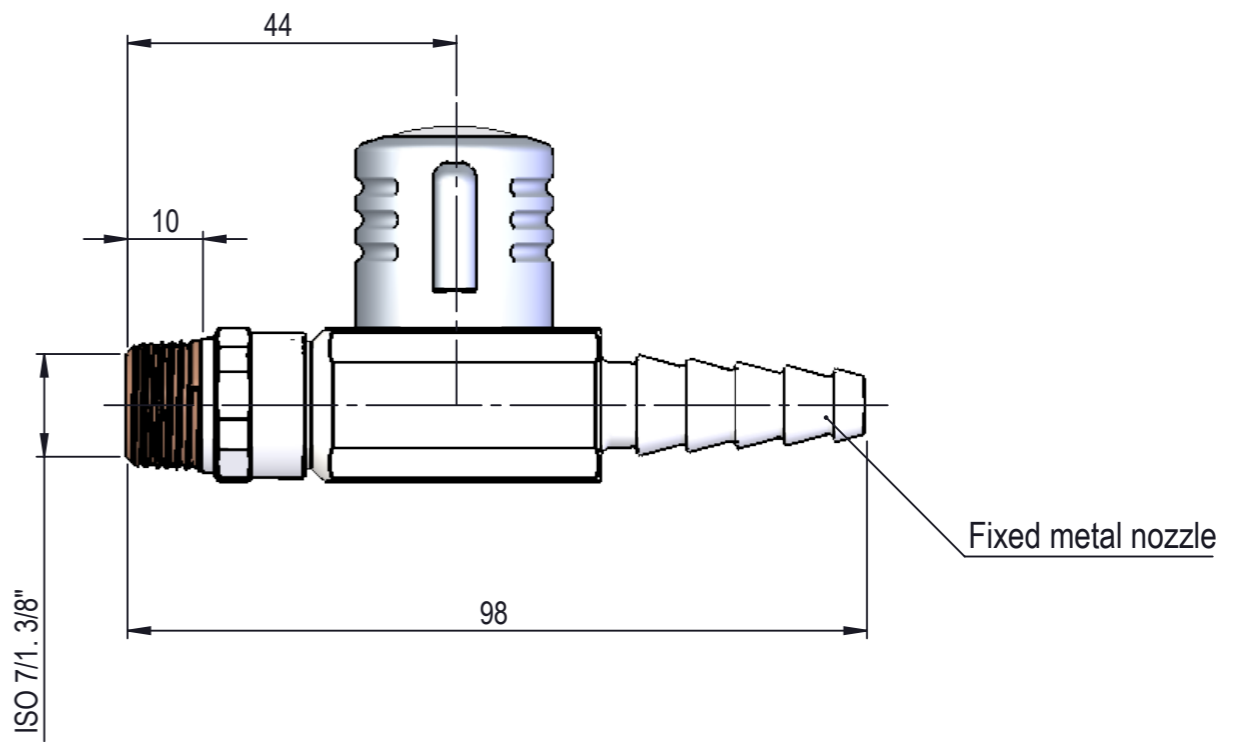
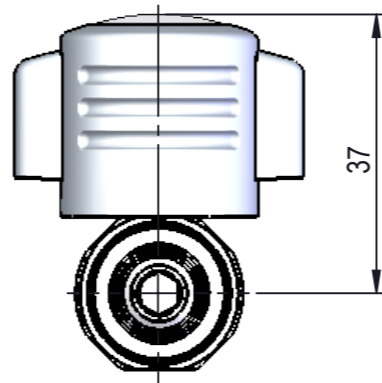
Details:  
3-Zone colour, acc. to EN13792:2002

Fixed nozzle

Materials in media contact:  
Brass  
Rubber, FKM  
Perfluoropolyether based lubricant

Mounting:  
Adaptor ISO7/1, 3/8"

Inlet / outlet connection:  
ISO 7/1  
DIN 12 898 hose nozzle



Description: 1-Valve, Wall mounted, ISO7/1, Fix. Nozzle, DIN 12 898 hose nozzle											
							Media: Vacuum and Highflow				
							Comments:				
							Drawing type: Customer drawing		Weight: 0.181 Kg		
Rev.	Pos.	Date	TM No.	Design by	Drawn by:	Change:	Designed by: ROE	Drawn by: ROE	Released on TM No.:	Date: 30-04-19	
<b>BROEN-LAB</b>							This drawing is our property and cannot be given to a third party, copied or otherwise used without our permission. BROEN-LAB A/S.		Format: A3		Drawing No.: 25203971041