

Area of Application:
 Suspended
 High purity gases 5.0
 Max. working pressure P1.: 7 Bar
 Pressure regulation P2.: 0-3 Bar

Details:
 Shut-Off (stop) Valve: Open / close 1,5x360°
 Flow regulating (needle) Valve : Open / close 3x360°

1/4" female connection

Materials in media contact:

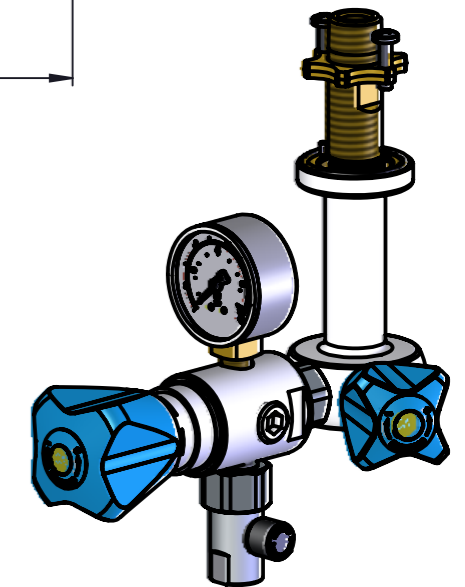
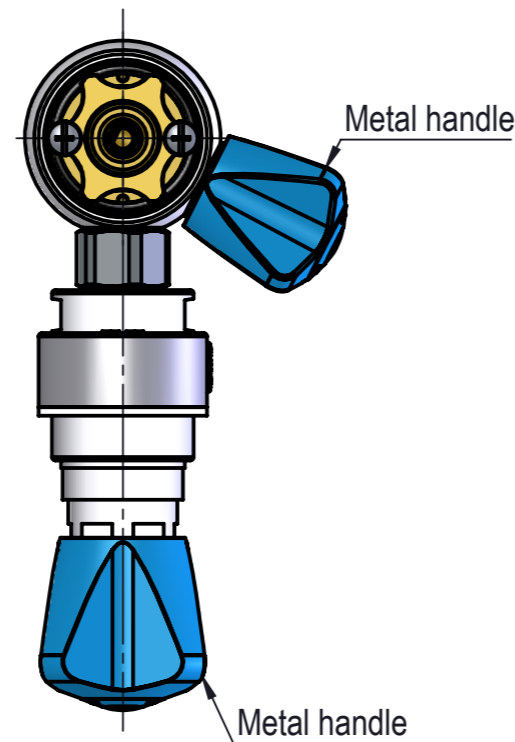
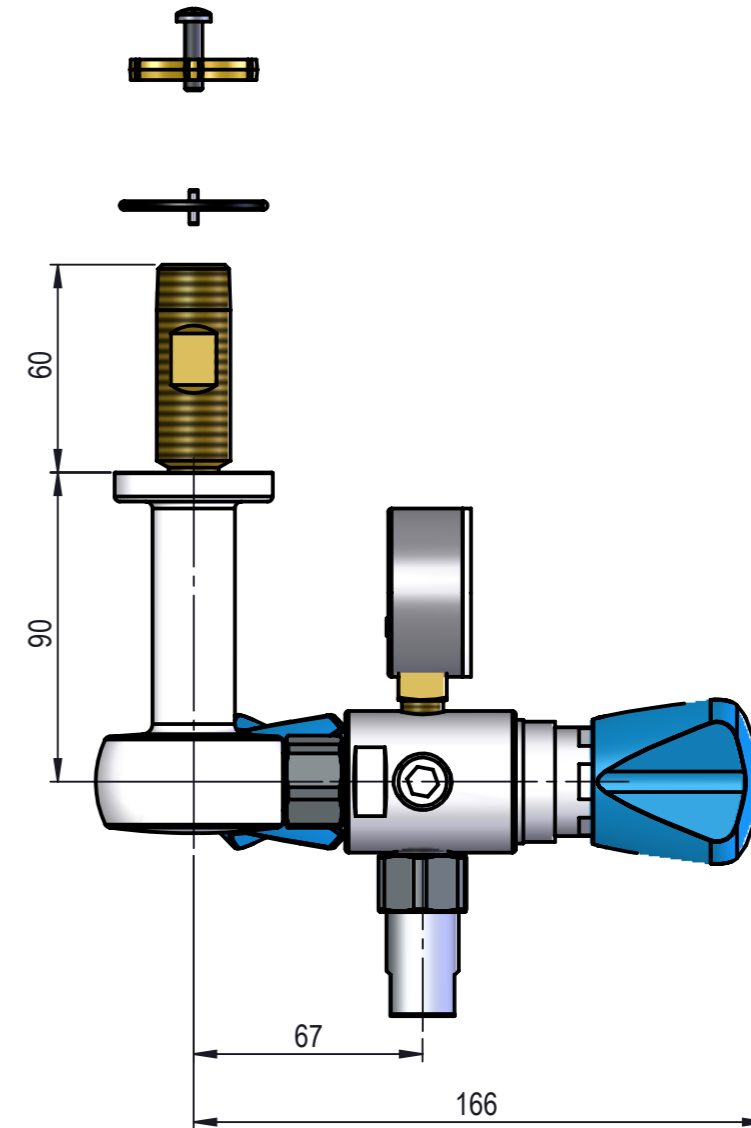
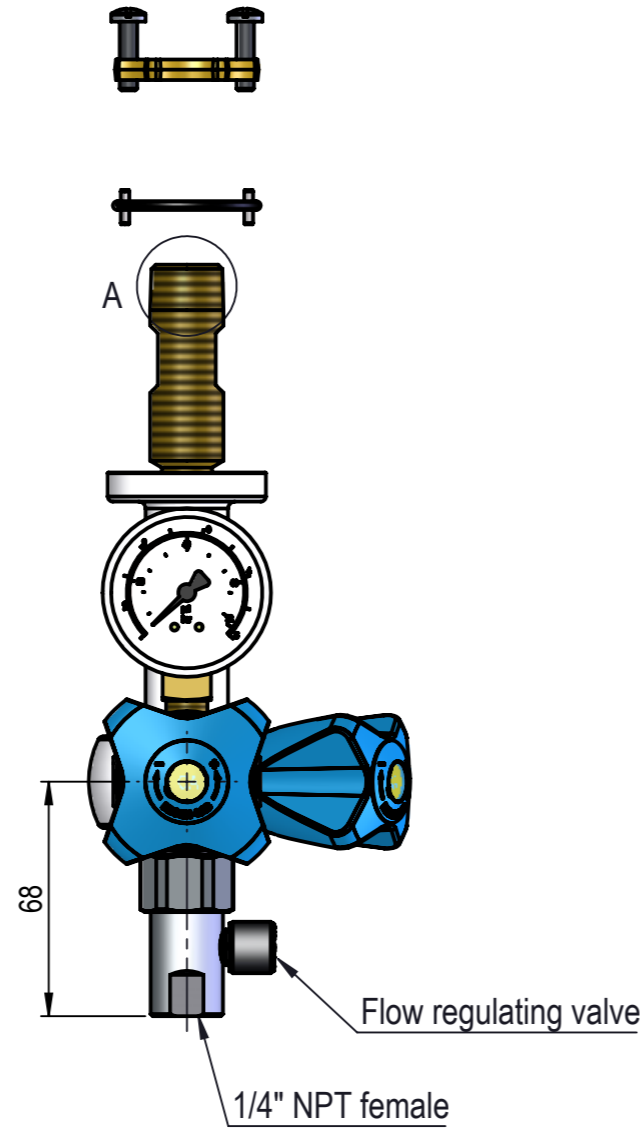
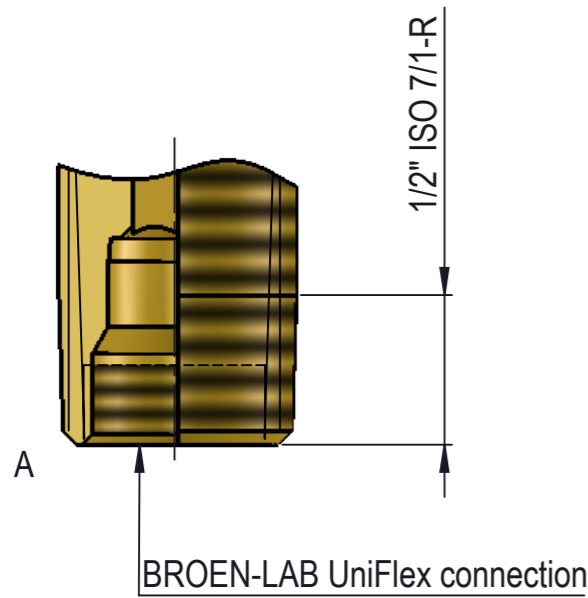
Brass
 PVDF
 Rubber, FKM
 SS, AISI 316
 Krytox GPL 206

Mounting:

1/2" nut with locking pins, O-ring and washer (See 94G0232)

Inlet / outlet connection:

UniFlex
 1/4" NPT- female connection



MEDIA CODE XX FOR
 5.0 TECHNICAL GASES AND OXYGEN
 *Model shown for CA

Media	Media description	Media code XX
H ₂	Hydrogen	19
CA	Compressed air	21
O ₂	Oxygen	22
N ₂	Nitrogen	23
CO ₂	Carbon dioxide	24
Ar	Argon	25
He	Helium	26
N ₂ O	Dinitrogenmonoxide	27

Description: 1-Valve, Suspended, Shut-off valve, Pressure Regulator & flow valve, 1/4" NPT, UniFlex

						Media: High purity gases 5.0	
						Comments:	
						Drawing type: Customer drawing	
						Weight: 1.734 Kg	
Rev.	Pos.	Date	TM No.	Design by	Drawn by:	Change:	Designed by: SJE
							Drawn by: SJE
						Released on TM No.:	
						Date (DD-MM-YY): 20-03-20	
						Format: A3	
						Drawing No.: 250500410XX-14	

BROEN-LAB

This drawing is our property and cannot be given to a third party, copied or otherwise used without our permission. BROEN-LAB A/S.