

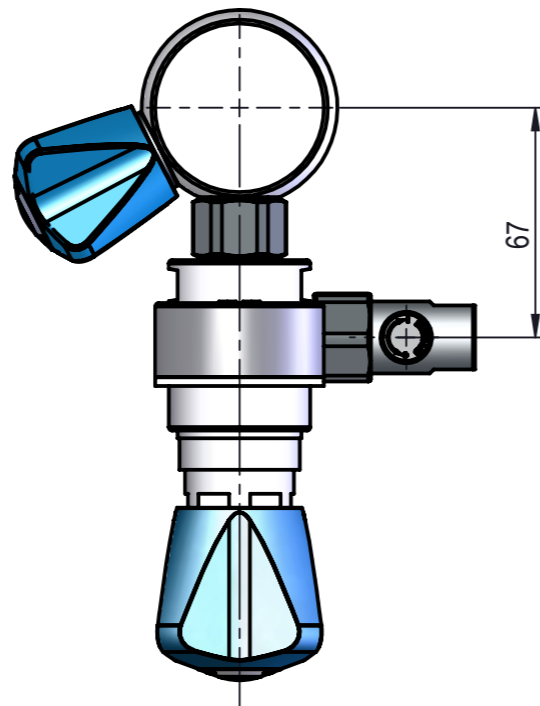
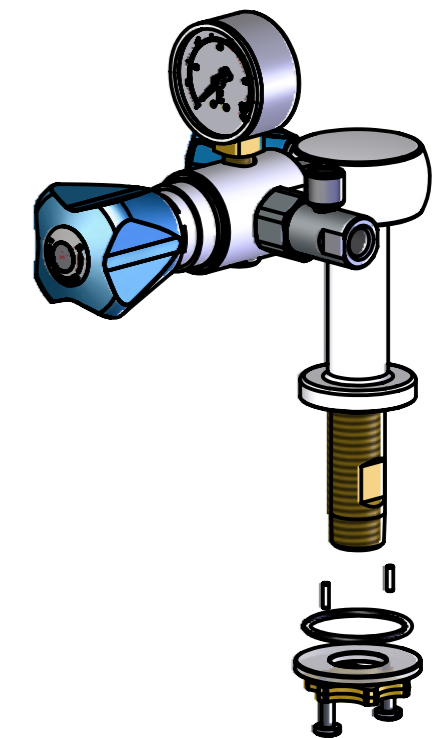
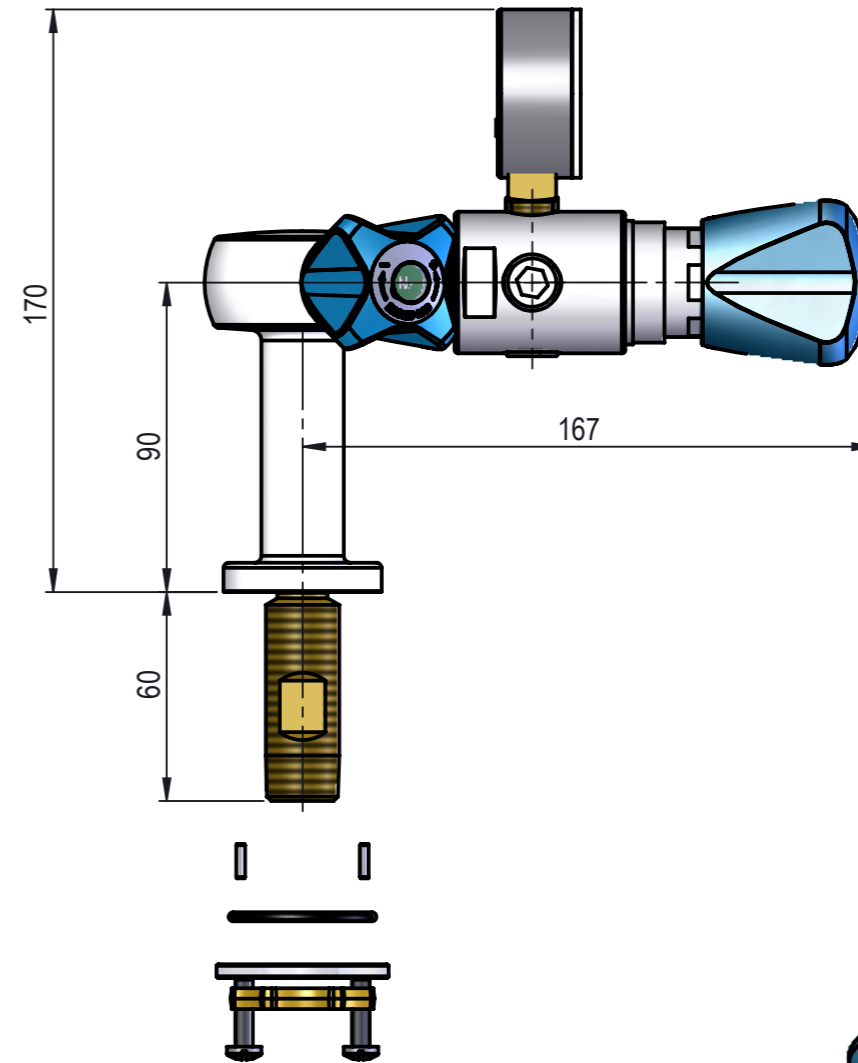
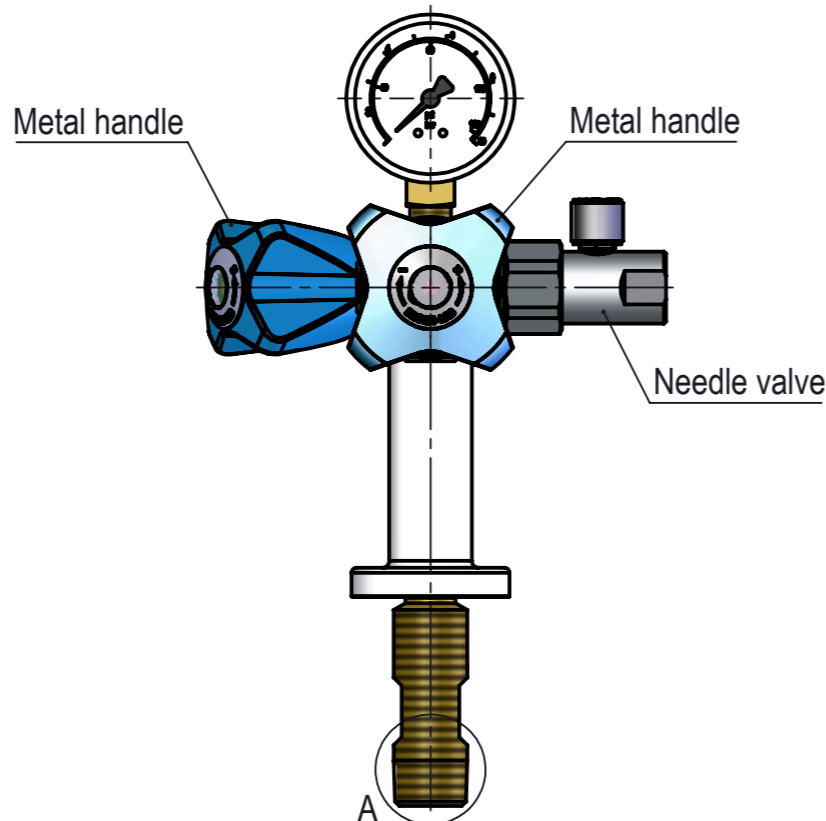
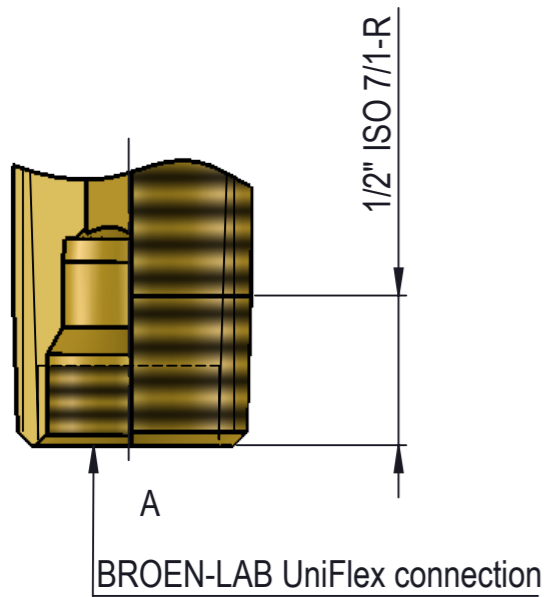
Area of Application:
Turret
High purity gases 5.0 (He)
Max secondary pressure 10 bar

Details:
Needle headwork open/close 3x360°
3-Zone colour, acc. to EN13792:2002

Materials in media contact:
Brass
SS, AISI 316
Rubber, FKM
PVDF

Mounting:
1/2" nut with locking pins o-ring and washer (See 94G0232)

Inlet / outlet connection:
UniFlex
1/4" NPT- female connection



MEDIA CODE XX FOR
5.0 TECHNICAL GASES AND OXYGEN

Media	Media description	Media code XX
H ₂	Hydrogen	19
CA	Compressed air	21
O ₂	Oxygen	22
N ₂	Nitrogen	23
CO ₂	Carbon dioxide	24
Ar	Argon	25
He	Helium	26
N ₂ O	Dinitrogenmonoxide	27

Description: 1-Valve, Turret, 1-Hole, Fixed, UniFlex

Media: High purity gases 5.0

Comments:

Drawing type: Customer drawing

Weight: 1.752 Kg

Rev. Pos. Date TM No. Design by Drawn by: Change:

Designed by: BJP Drawn by: MWA Released on TM No. 01-04-2019

BROEN-LAB

This drawing is our property and cannot be given to a third party, copied or otherwise used without our permission. BROEN-LAB A/S.

Format: A3 Drawing No.: 250505810XX-14