

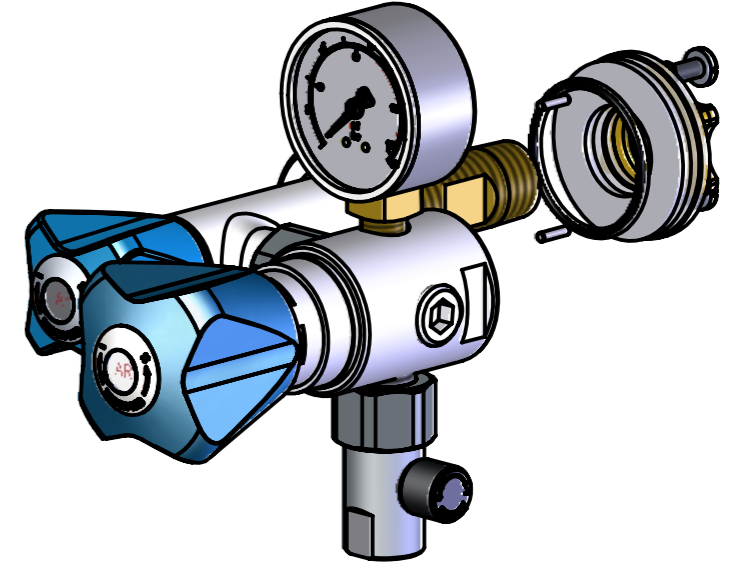
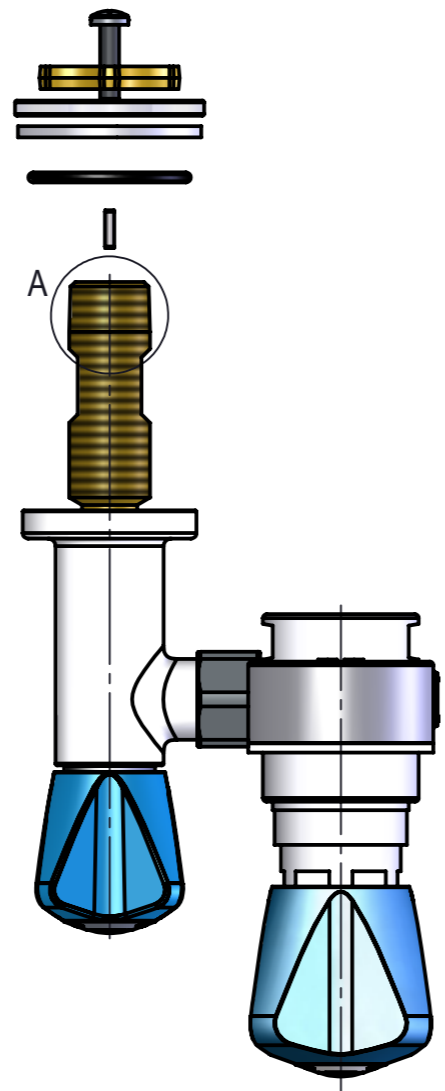
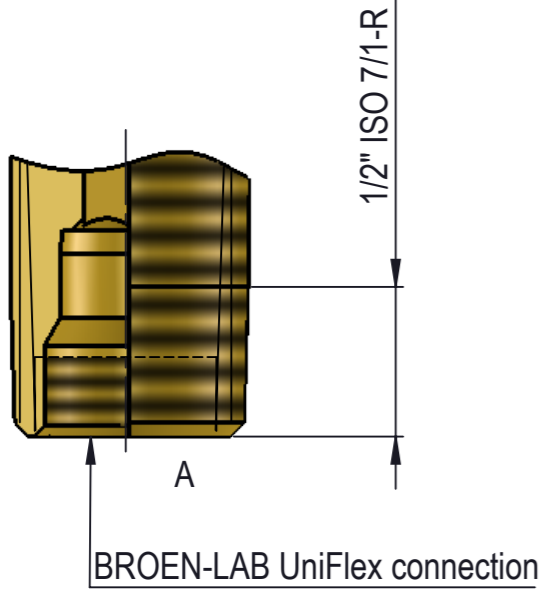
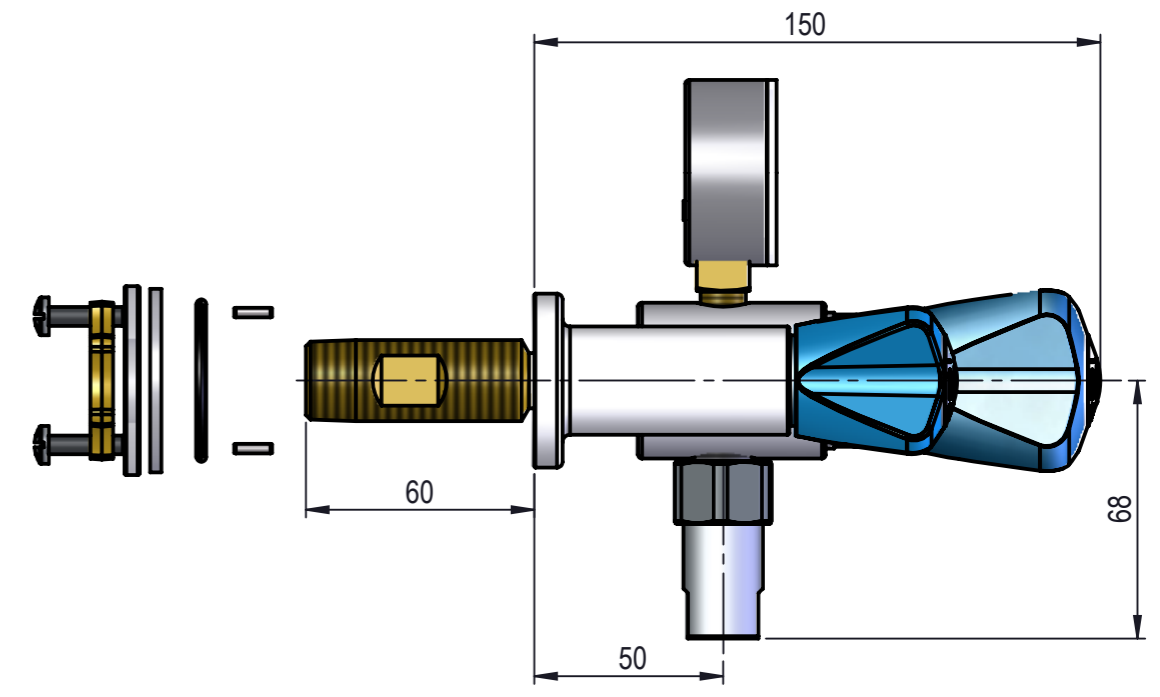
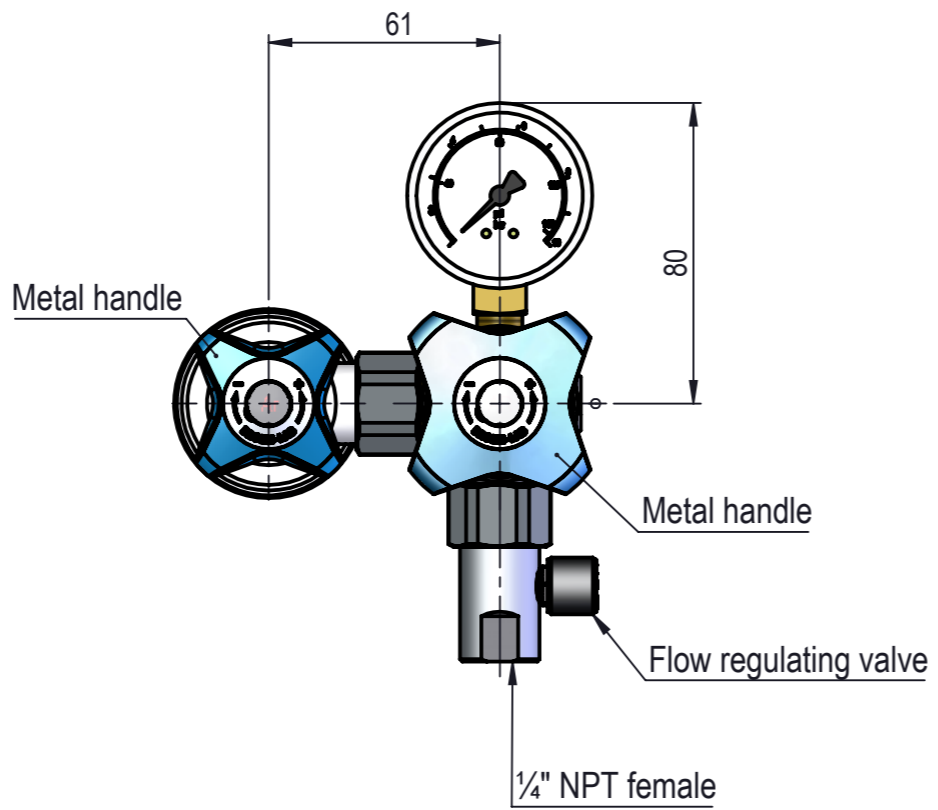
Area of Application:
 Panel mounted
 High purity gases 5.0
 Max. working pressure P1.: 21 Bar
 Pressure regulation P2.: 0-10 Bar

Details:
 Shut-Off (stop) Valve: Open / close 1,5x360°
 3-Zone colour, acc. to EN13792:2002

Materials in media contact:
 Brass
 SS, AISI 316
 PVDF

Mounting:
 1/2" nut with locking pins o-ring and washer (See 94G0232)

Inlet / outlet connection:
 UniFlex
 1/4" NPT- female connection



MEDIA CODE XX FOR 5.0 TECHNICAL GASES AND OXYGEN

Media	Media description	Media code XX
H ₂	Hydrogen	19
CA	Compressed air	21
O ₂	Oxygen	22
N ₂	Nitrogen	23
CO ₂	Carbon dioxide	24
Ar	Argon	25
He	Helium	26
N ₂ O	Dinitrogenmonoxide	27

Description: Build-in pressure regulator, 10 bar, Panel mounted, 1-Hole, Fixed, UniFlex										
							Media: High purity gases 5.0			
							Comments:			
							Drawing type: Customer drawing		Weight: 1.355 Kg	
Rev.	Pos.	Date	TM No.	Design by	Drawn by:	Change:	Designed by: BJP	Drawn by: MWA	Released on TM No.:	Date: 07-10-2019
							Format: A3		Drawing No.: 250506410XX-14	
							This drawing is our property and cannot be given to a third party, copied or otherwise used without our permission. BROEN-LAB A/S.			