

4

3

2

1

Area of Application:

Water

Max. working pressure 10 bar

Temperature range 5°C-90°C

Materials in media contact:

Brass

Rubber, EPDM

Silicone based lubricant

Nickel plated, Brass

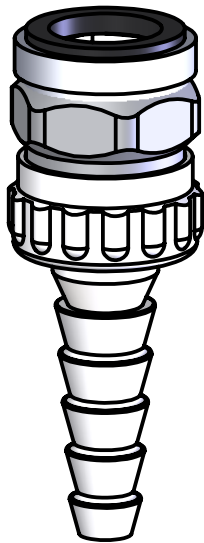
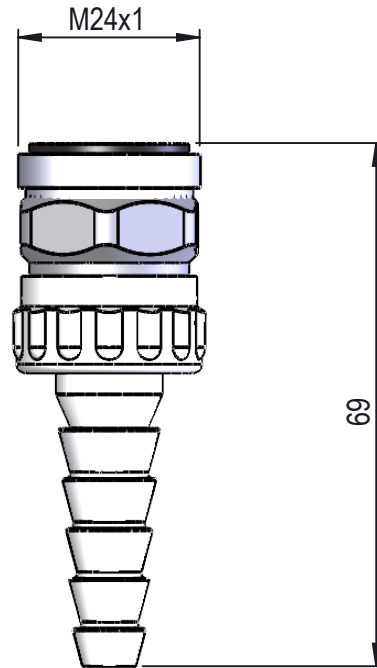
Mounting:

M24x1

Inlet / outlet connection:

M24x1

DIN 12 898 hose nozzle



Description:

, , Spare Part Nozzle, ,

Media:	Water		
Comments:			
Drawing type:	Spare part drawing	Weight:	0.065 Kg

Rev.	Pos.	Date	TM No.	Design by	Drawn by:	Change:	Designed by:	Drawn by:	Released on TM No.	Date:
							BJP	SJE	8479	17-02-21

BROEN-LAB

This drawing is our property and cannot be given to a third party, copied or otherwise used without our permission. BROEN-LAB A/S.

Format:	A4	Drawing No.:	1530498
---------	----	--------------	---------

4

3

2

1