

4

3

2

1

Area of Application:

Water

Max. working pressure 10 bar

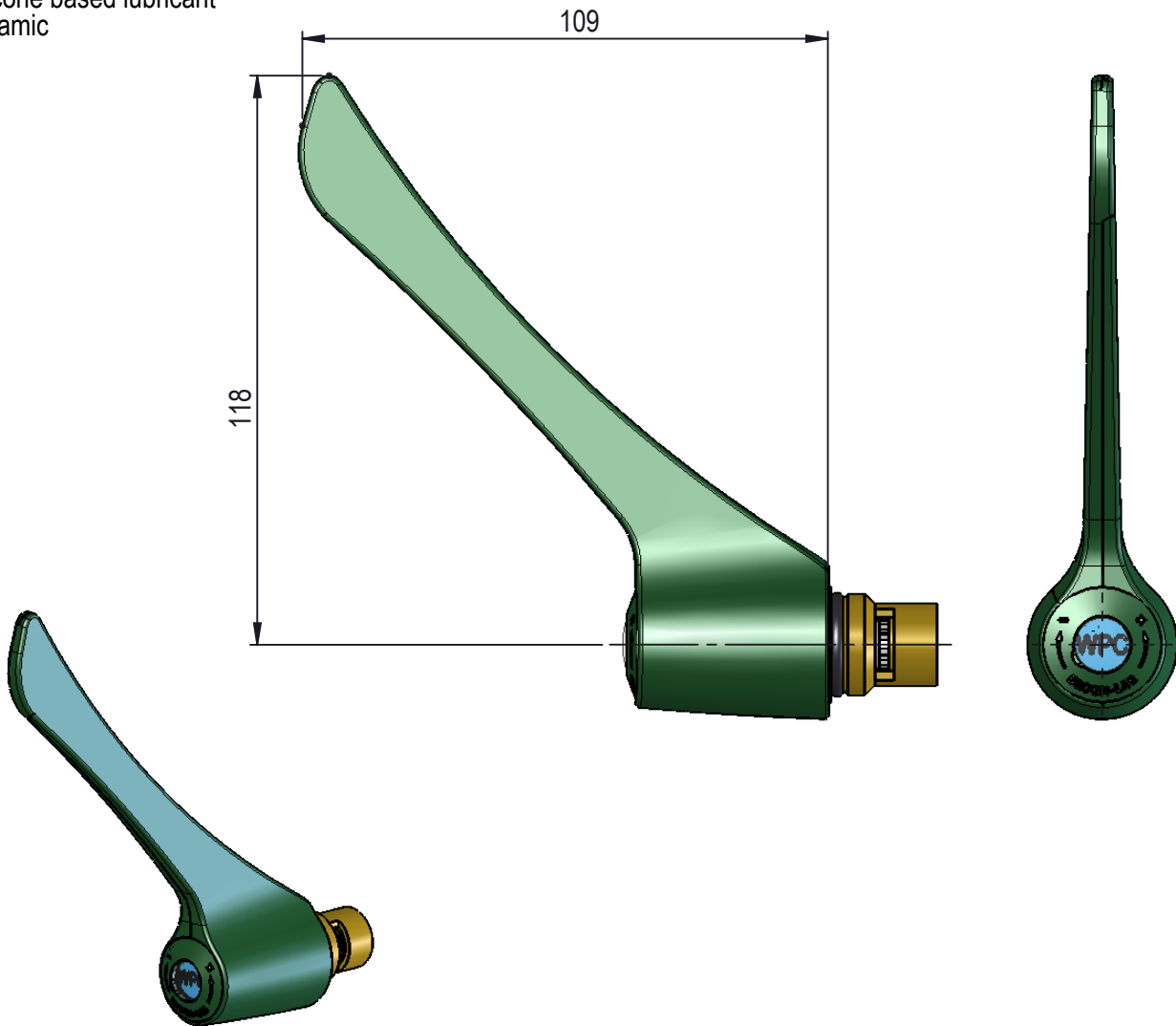
Temperature range 5°C-90°C

Details:

Right turn closing 90° ceramic headwork
3-Zone colour, acc. to EN13792:2002

Materials in media contact:

- Brass
- Rubber, EPDM
- Silicone based lubricant
- Ceramic



*Model shown for WPC

Description: Wrist lever and Headwork, Right turn closing 90°

							Media: Water				
							Comments: Model "A" according to T123				
							Drawing type: Spare part drawing	Weight: 0.260 Kg			
Rev.	Pos.	Date	TM No.	Design by	Drawn by:	Change:	Designed by: NSC	Drawn by: REK	Released on TM No. 7935	Date: 26-03-20	
BROEN-LAB							This drawing is our property and cannot be given to a third party, copied or otherwise used without our permission. BROEN-LAB A/S.		Format: A4		Drawing No.: 2575010XXXX

4

3

2

1