

4

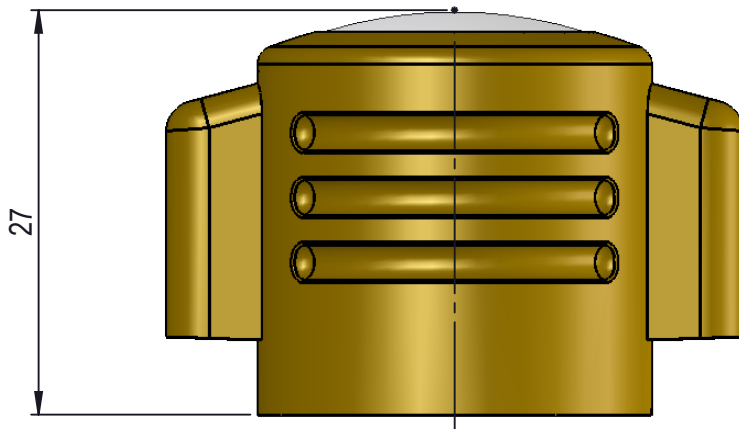
3

2

1

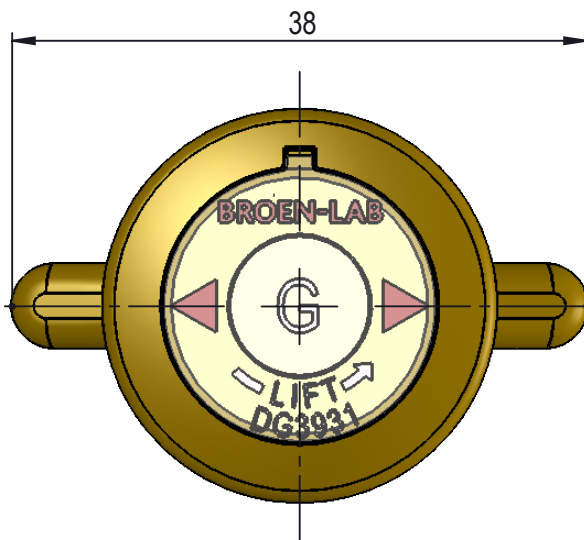
D

D



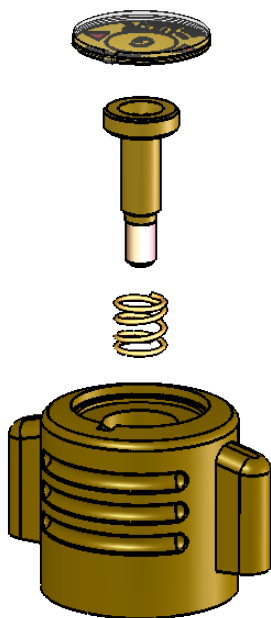
C

C



B

B



Description:	Lift turn handle sparepart, Gas
Media:	NOT in media contact
Material:	
Specification:	

Comments: Sparepart kit

Drawing type: Customer drawing Weight: 0.014 Kg

All dimensions made with are inspection dimensions

Unspecified liniar tolerances: Unspecified angular tolerances:

Rev.	Pos.	Date	TM No.	Design by	Drawn by:	Change:

Designed by: SJE Drawn by: SJE Released on TM No. Date: 25-01-2019

BROEN-LAB

This drawing is our property and cannot be given to a third party, copied or otherwise used without our permission. BROEN-LAB A/S



Format: A4 Drawing No.: 01396288010C

4

3

2

1

A