

4

3

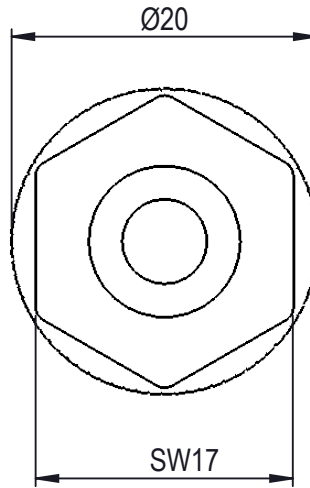
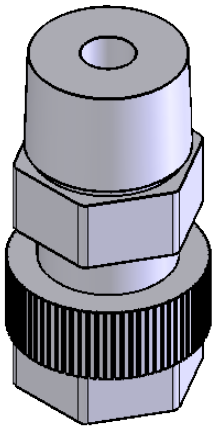
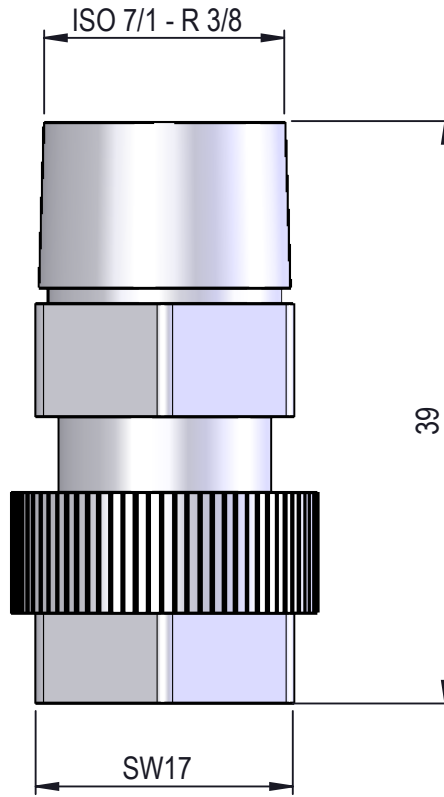
2

1

Area of Application:

Special water

Materials in media contact:
PVDF



Description:

Serto Ø10 - ISO 7/1- R 3/8

							Media: Special water			
							Comments:			
							Drawing type: Customer drawing		Weight: 0.02 Kg	
Rev.	Pos.	Date	TM No.	Design by	Drawn by:	Change:	Designed by:	Drawn by:	Released on TM No.	Date:
										24-03-21
BROEN-LAB						This drawing is our property and cannot be given to a third party, copied or otherwise used without our permission. BROEN-LAB A/S.		Format: A4		Drawing No.: 1538438V

4

3

2

1