

4

3

2

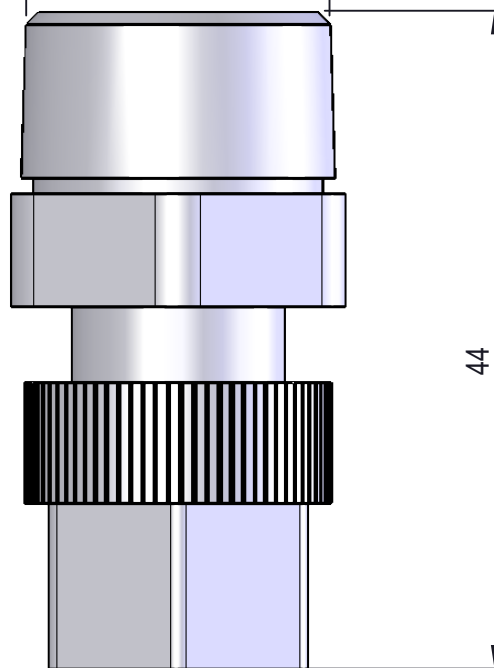
1

Area of Application:

Special water

Materials in media contact:
PVDF

ISO 7/1 - R 1/2



D

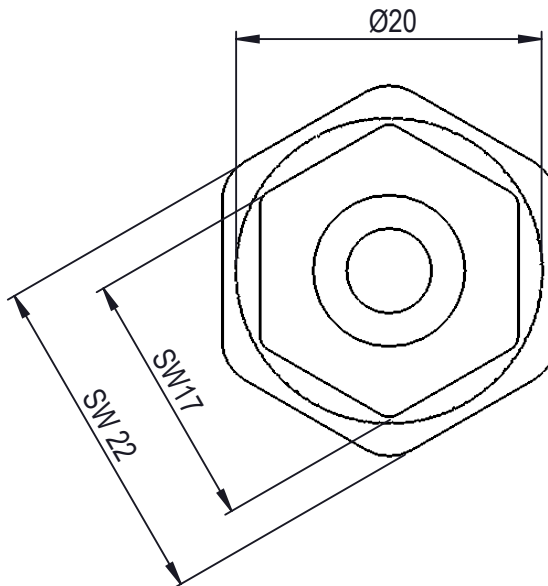
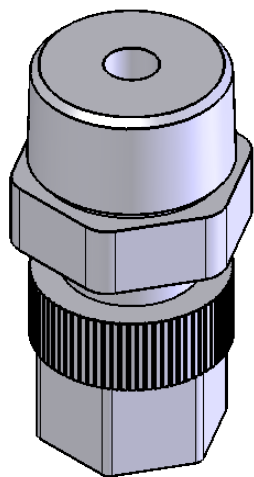
D

C

C

B

B



Description:

Serto Ø10 - ISO7/1-R 1/2

Media: Special water

Comments:

Drawing type: Customer drawing Weight: 0.03 Kg

Rev.	Pos.	Date	TM No.	Design by	Drawn by:	Change:	Designed by: ROE	Drawn by: PEC	Released on TM No. 8548	Date: 24-03-21
------	------	------	--------	-----------	-----------	---------	------------------	---------------	-------------------------	----------------

BROEN-LAB

This drawing is our property and cannot be given to a third party, copied or otherwise used without our permission. BROEN-LAB A/S.

Format: A4 Drawing No.: 1538436V

4

3

2

1

A

A