

4

3

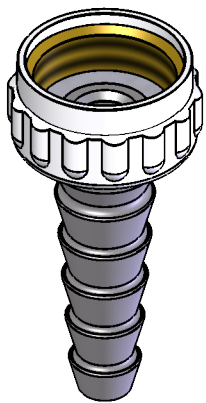
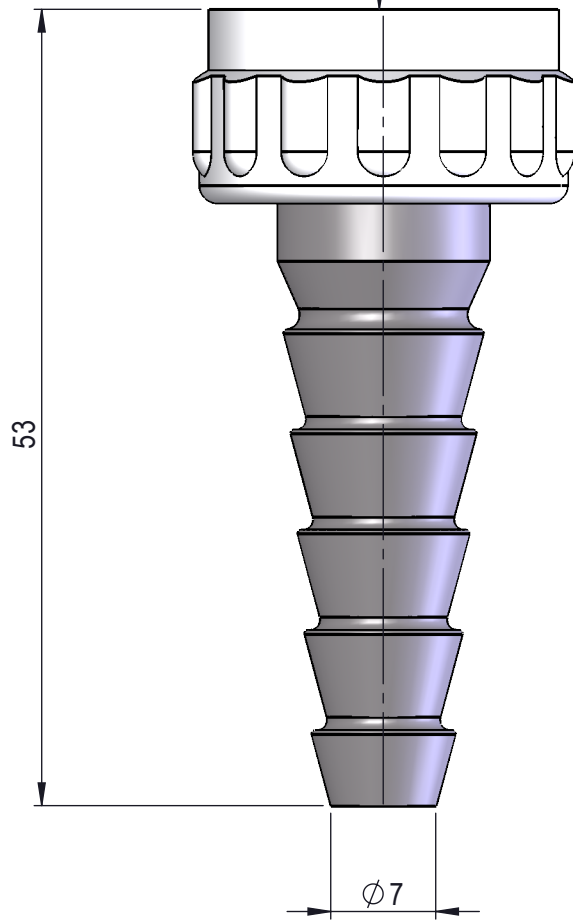
2

1

Area of Application:
 Removable SS nozzle
 Special water
 Max working pressure 10bar at 20°C / 4,5bar at 65°C

Materials in media contact:
 SS, AISI 316
 PVDF

G1/2" female thread



Description:
 , Removable SS nozzle, , ,

							Media: Special water				
							Comments:				
							Drawing type:			Weight: 0.04 Kg	
Rev.	Pos.	Date	TM No.	Design by	Drawn by:	Change:	Designed by:	Drawn by:	Released on TM No.	Date:	
							MWA	MWA		15-02-21	
BROEN-LAB							Format: A4		Drawing No.: 25390201003		

4

3

2

1