

4

3

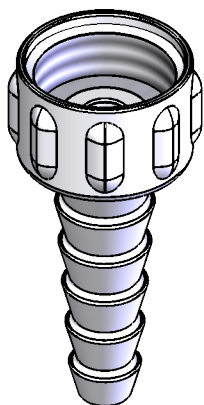
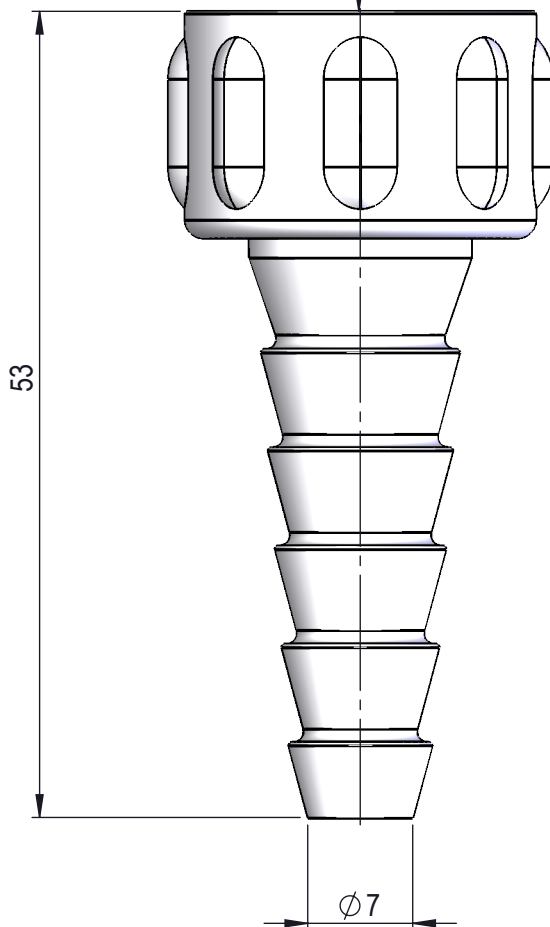
2

1

Area of Application:
 Removable PVDF nozzle
 Special water
 Max working pressure 10bar at 20°C / 4,5bar at 65°C

Materials in media contact:
 PVDF

G1/2" female thread



Description:
 , Removable PVDF nozzle, , ,

							Media: Special water				
							Comments:				
							Drawing type:			Weight: 0.01 Kg	
Rev.	Pos.	Date	TM No.	Design by	Drawn by:	Change:	Designed by: MWA	Drawn by: MWA	Released on TM No.	Date: 15-02-21	
BROEN-LAB							Format: A4		Drawing No.: 25390701003		

This drawing is our property and cannot be given to a third party, copied or otherwise used without our permission. BROEN-LAB A/S.

4

3

2

1