

4

3

2

1

Area of Application:

Vacuum

Max. working pressure 16 bar

Details:

High flow/Vacuum headwork open/close 1,5x360°

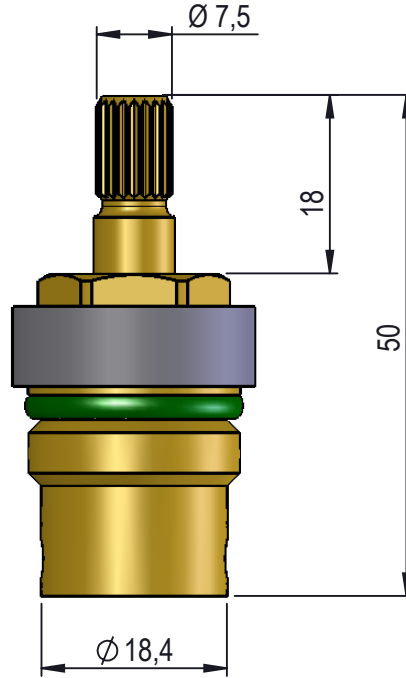
Materials in media contact:

- Brass
- Rubber, FKM
- Perfluoropolyether based lubricant
- PVDF

Mounting:

M22x1 (See 94G0232)

Inlet / outlet connection:



D

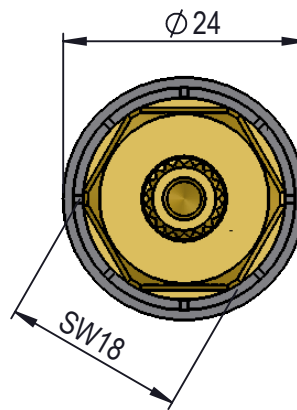
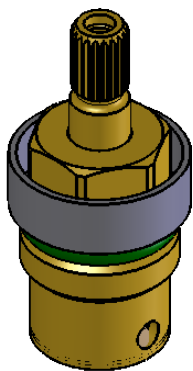
D

C

C

B

B



Description:

Headwork, needle seat

Media: Vacuum

Comments:

Drawing type: Customer drawing Weight: 0,068 Kg

Rev.	Pos.	Date	TM No.	Design by	Drawn by:	Change:	Designed by: ROE	Drawn by: PEC	Released on TM No. 8452	Date: 08-03-21
------	------	------	--------	-----------	-----------	---------	------------------	---------------	-------------------------	----------------

BROEN-LAB

This drawing is our property and cannot be given to a third party, copied or otherwise used without our permission. BROEN-LAB A/S.

Format: A4 Drawing No.: 02556300

4

3

2

1

A

A