

8

7

6

5

4

3

2

1

Area of Application:

Water

Max. working pressure 10 bar
Temperature range 5°C-90°C

Details:

Swivel spout
Removable nozzle

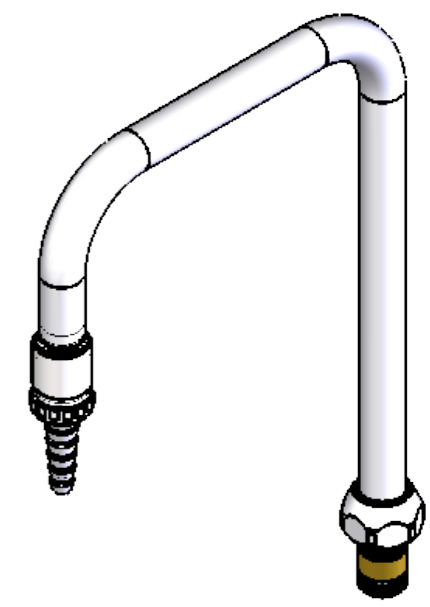
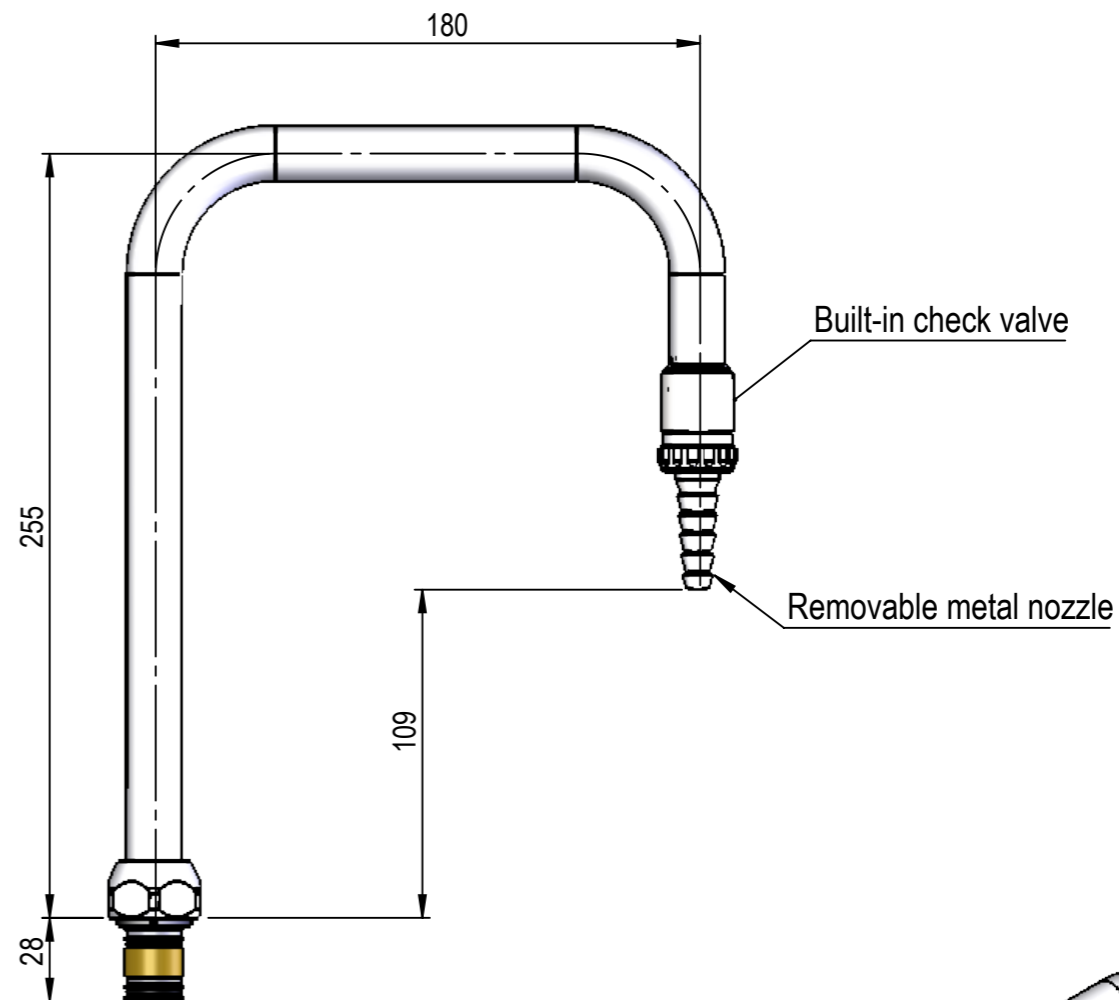
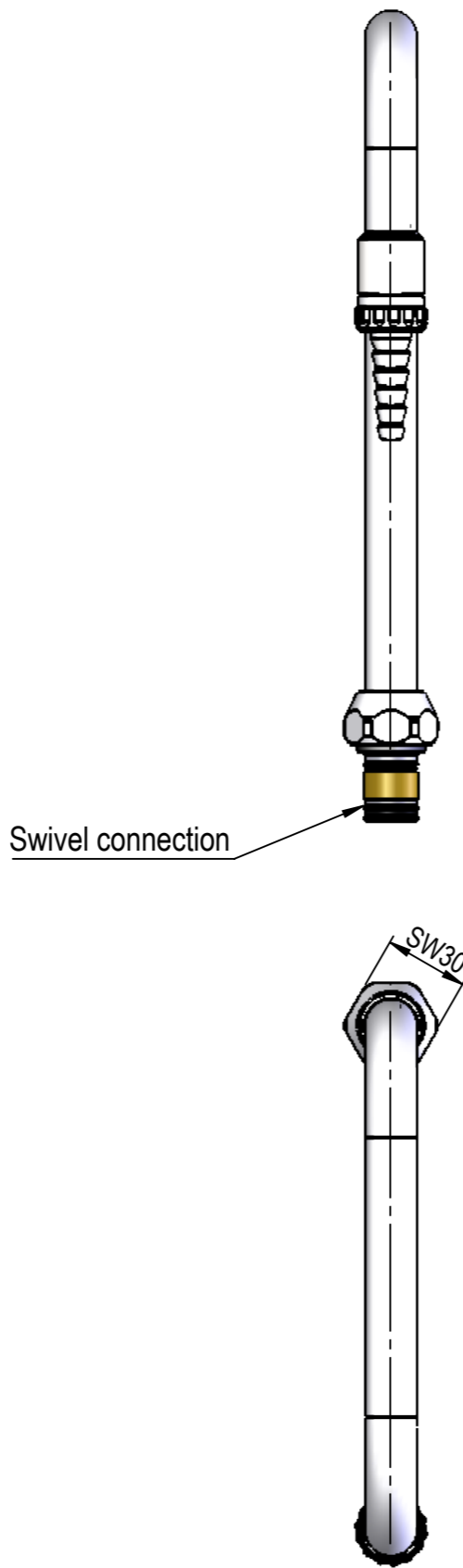
Materials in media contact:

Brass
Rubber, EPDM
Silicone based lubricant

Mounting:

Inlet / outlet connection:

DIN 12 898 hose nozzle



Description: 1-Valve, , Swivel spout, DIN 12 898 hose nozzle											
							Media: Water				
							Comments:				
							Drawing type: Customer drawing		Weight: 0.507 Kg		
Rev.	Pos.	Date	TM No.	Design by	Drawn by:	Change:	Designed by: ROE	Drawn by: PEC	Released on TM No.: 8452	Date (DD-MM-YY): 08-03-21	
BROEN-LAB							This drawing is our property and cannot be given to a third party, copied or otherwise used without our permission. BROEN-LAB A/S.		Format: A3		Drawing No.: 09800029

8

7

6

5

4

3

2

1