

4

3

2

1

Area of Application:

Water

Max. working pressure 16 bar

Details:

Needle headwork open/close 3x360°

Materials in media contact:

Brass

Rubber, FKM

Perfluoropolyether based lubricant

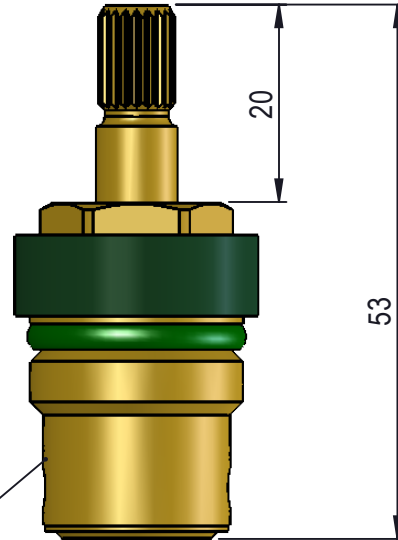
PVDF

Mounting:

M22x1 (See 94G0232)

Inlet / outlet connection:

M22 x 1



D

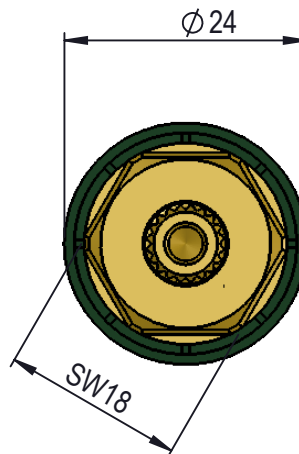
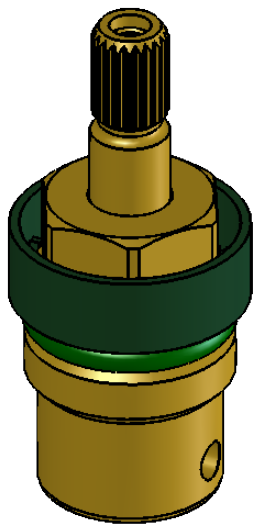
D

C

C

B

B



Description:

Headwork, needle seat

Media: Water

Comments:

Drawing type: Customer drawing Weight: 0,068 Kg

Rev.	Pos.	Date	TM No.	Design by	Drawn by:	Change:	Designed by: ROE	Drawn by: PEC	Released on TM No. 8548	Date: 19-03-21
------	------	------	--------	-----------	-----------	---------	------------------	---------------	-------------------------	----------------

BROEN-LAB

This drawing is our property and cannot be given to a third party, copied or otherwise used without our permission. BROEN-LAB A/S.

Format: A4 Drawing No.: 02557300

4

3

2

1

A

A