

4

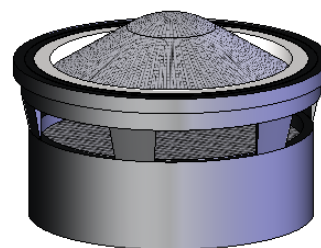
3

2

1

D

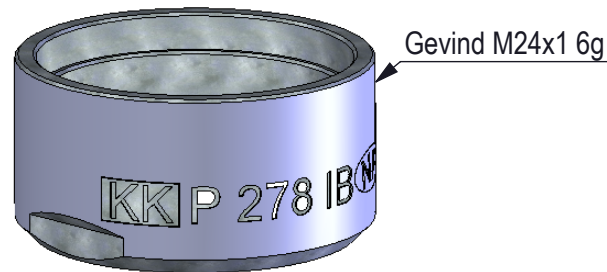
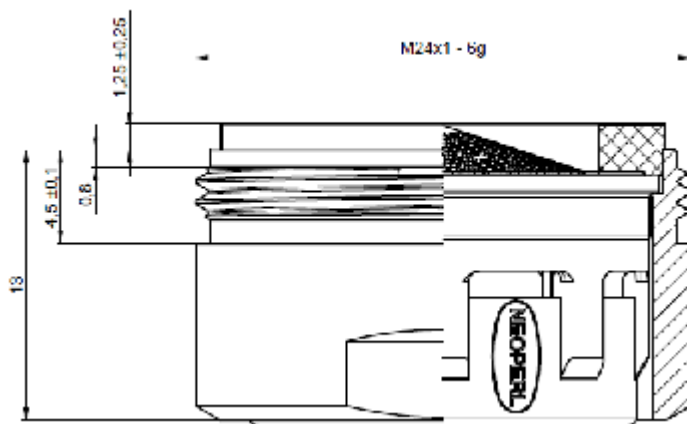
D



C

C

Detail from Neoperl



B

B

Description:	Aerator
Media:	Water
Material:	
Specification:	

Comments:

Drawing type: Assembly drawing	Weight: Kg
--------------------------------	------------

All dimensions made with are inspection dimensions

Unspecified liniar tolerances:	Unspecified angular tolerances:
--------------------------------	---------------------------------

Rev.	Pos.	Date	TM No.	Design by	Drawn by:	Change:	Designed by:	Drawn by:	Released on TM No.	Date:
------	------	------	--------	-----------	-----------	---------	--------------	-----------	--------------------	-------

BROEN-LAB

This drawing is our property and cannot be given to a third party, copied or otherwise used without our permission. BROEN-LAB A/S.



Format: A4	Drawing No.: 15310192
------------	-----------------------

4

3

2

1

A