

4

3

2

1

Area of Application:

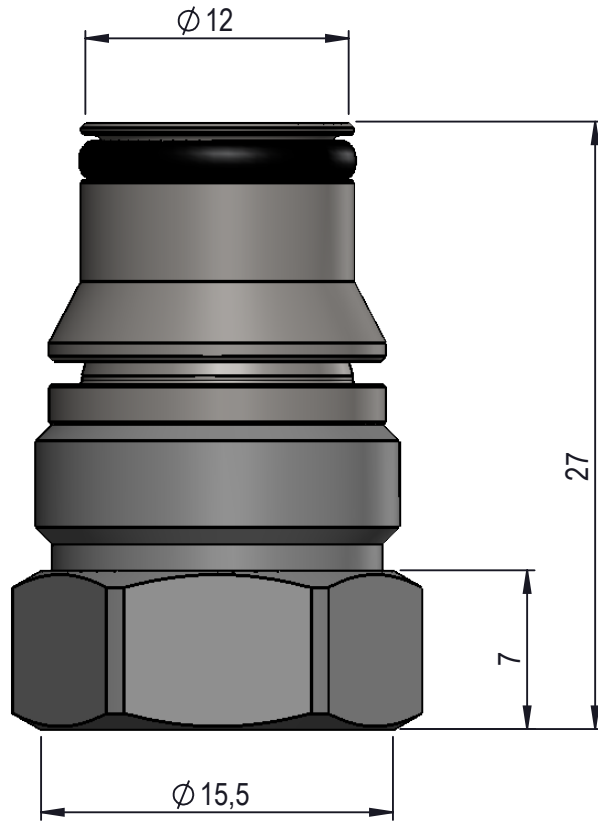
Water

Max. working pressure 10 bar  
Temperature range 5°C-90°C

Details:

Materials in media contact:  
SS, AISI 316  
Rubber, EPDM  
Silicone based lubricant

Inlet / outlet connection:  
UniFlex  
Compression fitting for OD 10mm tube



D

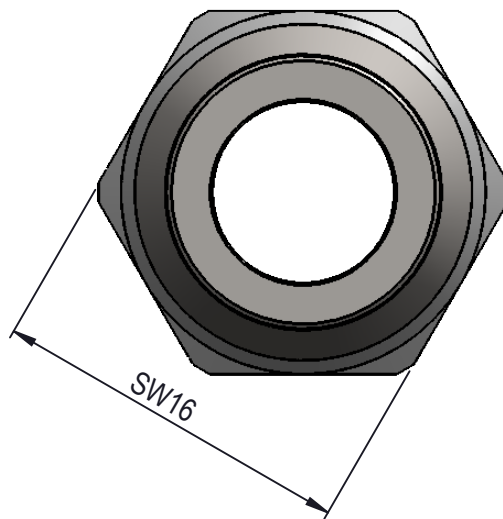
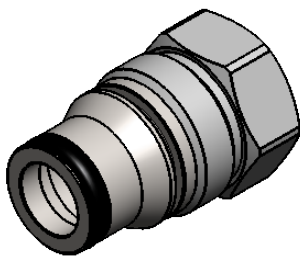
D

C

C

B

B



Description:  
, UniFlex, Compression fitting

								Media:	Water			
								Comments:				
								Drawing type:	Customer drawing		Weight:	0.018 Kg
Rev.	Pos.	Date	TM No.	Design by	Drawn by:	Change:		Designed by:	Drawn by:	Released on TM No.	Date:	
								ROE	PEC	8452	05-03-21	
<b>BROEN-LAB</b>							This drawing is our property and cannot be given to a third party, copied or otherwise used without our permission. BROEN-LAB A/S.	Format:	Drawing No.:		15215500	
								A4				

A

A

4

3

2

1