

4

3

2

1

Area of Application:

Technical gases 2.0

Max. working pressure 16 bar

Materials in media contact:

SS, AISI 316

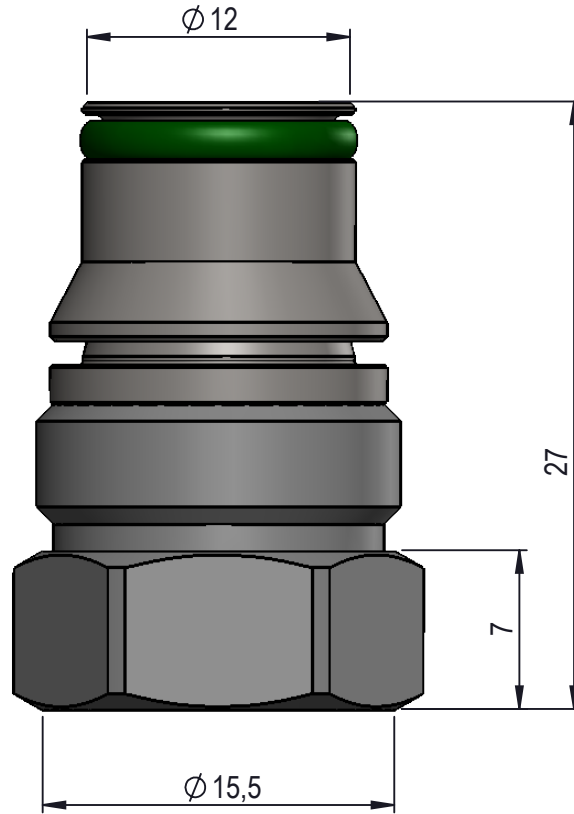
Rubber, FKM

Perfluoropolyether based lubricant

Inlet / outlet connection:

UniFlex

Compression fitting for OD 10mm tube



D

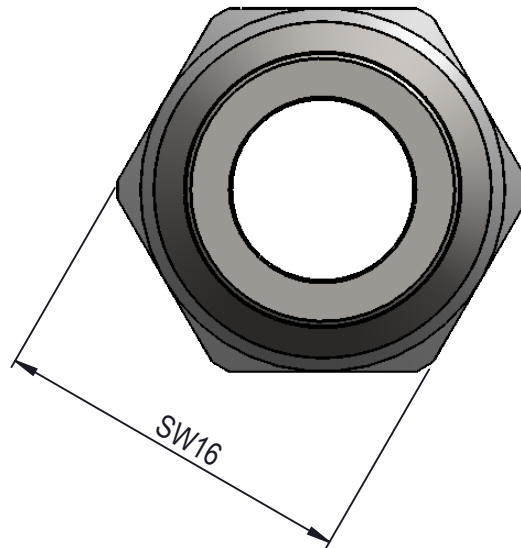
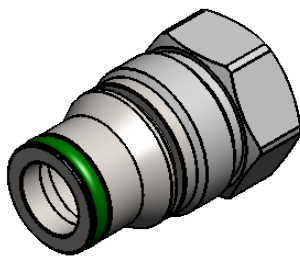
D

C

C

B

B



Description:

, UniFlex, Compression fitting

							Media: Technical gases 2.0			
							Comments:			
B	D3	08-03-21	6597	MWA	PEC	Lubrication operation added	Drawing type: Customer drawing		Weight: 0.018 Kg	
Rev.	Pos.	Date	TM No.	Design by	Drawn by:	Change:	Designed by: ROE	Drawn by: PEC	Released on TM No. 8452	Date: 05-03-21
<b>BROEN-LAB</b>						This drawing is our property and cannot be given to a third party, copied or otherwise used without our permission. BROEN-LAB A/S.		Format: A4		Drawing No.: 15215510

A

A

4

3

2

1