

4

3

2

1

Area of Application:

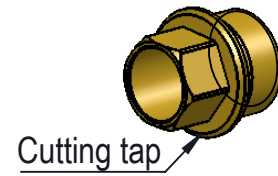
Special water

Max. working pressure 10 bar
Temperature range 5°C-65°C

Details:

Diaphragm headwork w. brake, open/close 1,5x360°
3-Zone colour, acc. to EN13792:2002

Materials in media contact:
PTFE

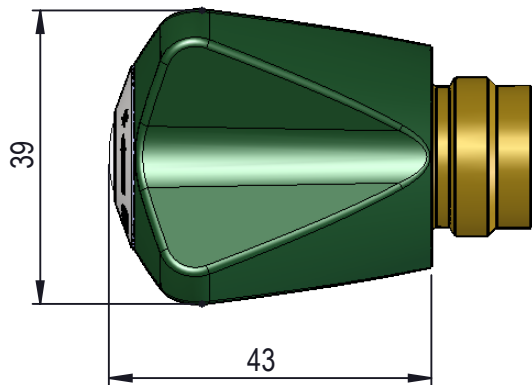
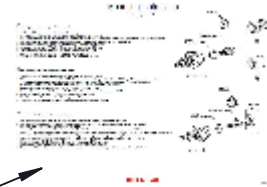


Cutting tap

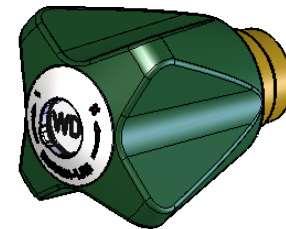


Lock nut

Instruction



Metal handle



*Model shown for WDI

Description: Metal handle and Diaphragm headwork

							Media: Special water				
							Comments:				
B	C1	20-08-21	8752	PEC	PEC	New headwork with brake	Drawing type: Spare part drawing	Weight: 0.16 Kg			
Rev.	Pos.	Date	TM No.	Design by	Drawn by:	Change:	Designed by: NSC	Drawn by: REK	Released on TM No. 8002	Date: 07-12-20	
BROEN-LAB						This drawing is our property and cannot be given to a third party, copied or otherwise used without our permission. BROEN-LAB A/S.		Format: A4		Drawing No.: 257502210XX	

4

3

2

1