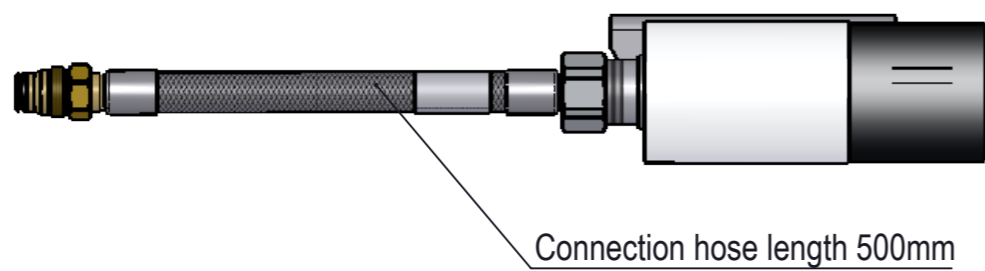
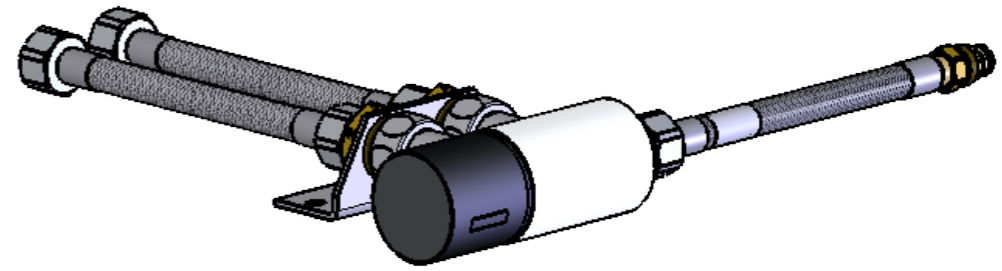
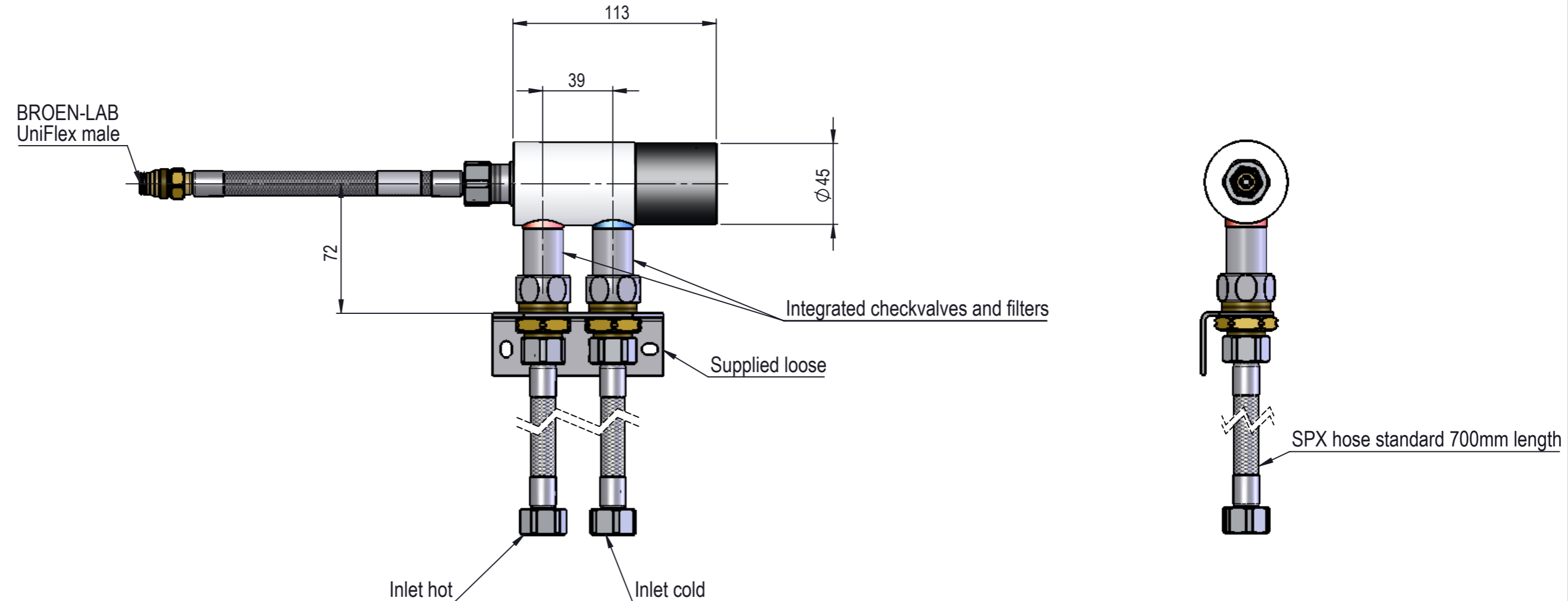


Area of Application:  
 Thermostatic valve with no opening/closing valve  
 Hot and cold water  
 Min. working pressure 0,5 bar  
 Max. working pressure 10 bar  
 Cold water min. 5°C and max. 25°C  
 Hot water min. 55°C and max. 90°C

Materials in media contact:  
 Brass  
 Nickel plated, Brass  
 POM  
 Rubber, EPDM  
 Silicone based lubricant  
 SPX

Inlet / outlet connection:  
 Union Nut G1/2", hose  
 UniFlex



Description: 1-Valve, Thermostatic valve with no opening/closing valve, G1/2", Hose, , UniFlex										
					Media: Water					
					Comments:					
					Drawing type: Customer drawing			Weight: 1.036 Kg		
B		24-10-18			sje					
Rev.	Pos.	Date	TM No.	Design by	Drawn by:	Change:	Designed by:	Drawn by:	Released on TM No.	Date:
							SJE	SJE	7176	16-11-2018
<b>BROEN-LAB</b>							This drawing is our property and cannot be given to a third party, copied or otherwise used without our permission. BROEN-LAB A/S.			
							Format: A3		Drawing No.: 26030041035E	