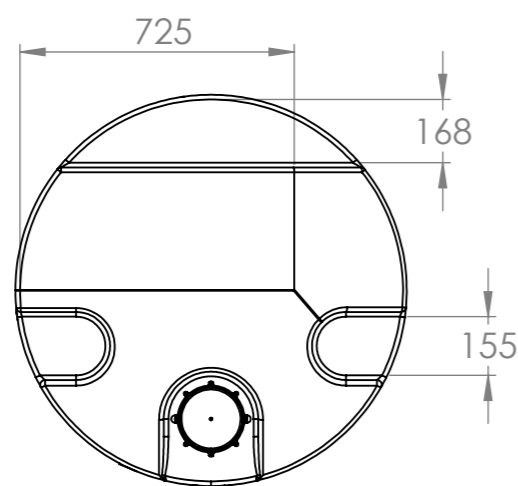
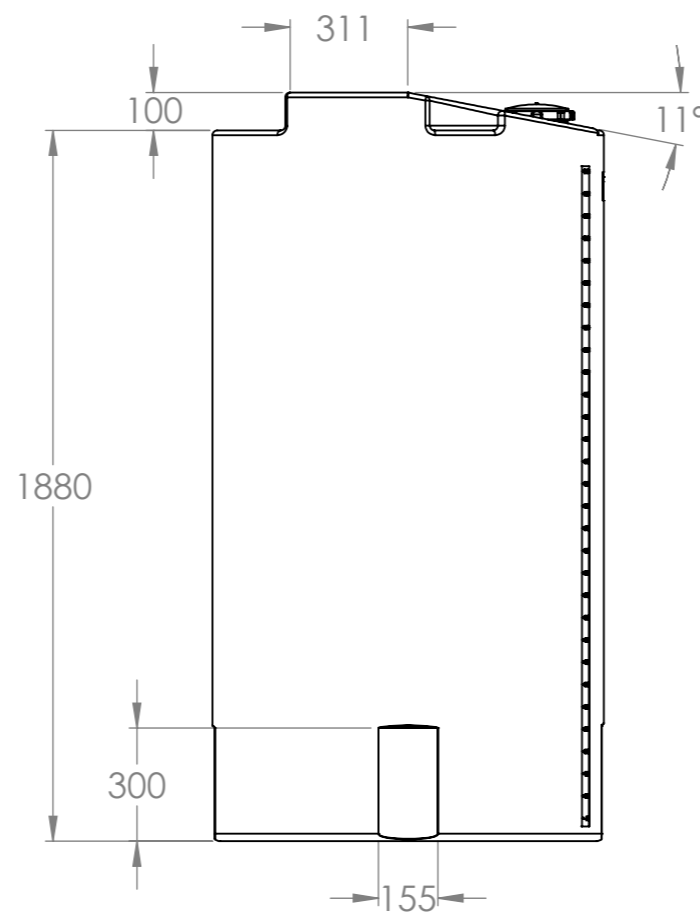
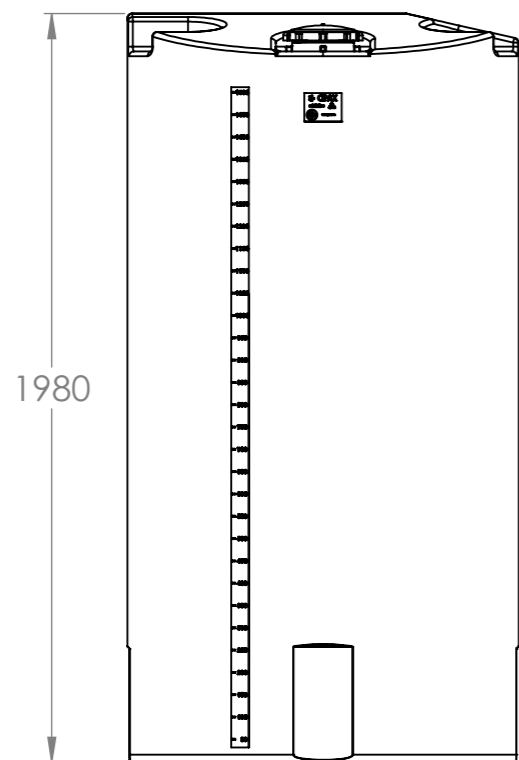
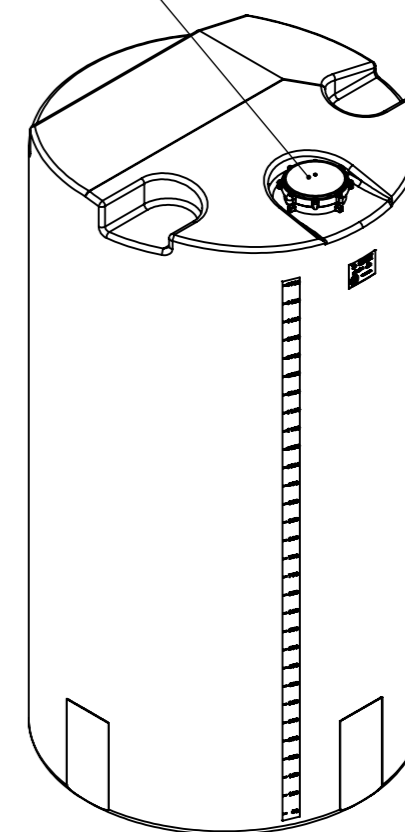


This drawing and design is the property of Cipax. Copying and distribution of the drawing or any contents is prohibited without written permission from authorised personnel at Cipax



165mm lokk



Generelle toleranser om ikke annet er oppgitt på tegning	Tilatte avvik for måleområde. Gjelder ved +20°C				
General tolerances if not other stated on drawing	Permissible deviations for basic length size range. Valid +20°C				
	0-20	>20-75	>75-150	>150-300	>300
	±0,5mm	±1mm	±1,5mm	±1,3%	±1%

Constructed by - date	Evaluated by	Approved by - date	General Tolerances	Material	Finish, Ra	View	Scale
GEP 07.05.2013			NS-ISO 2768-1	LDPE			1:20
Owner		Titel/Description					
		14150 - 1500ltr dosering NO					
Drawing number			Revision	Sheet size	Sheet		
866 - 38				A3	1(1)		