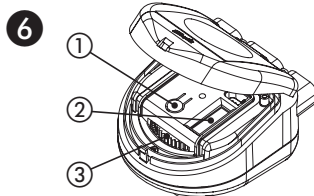
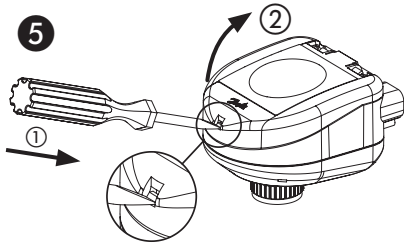
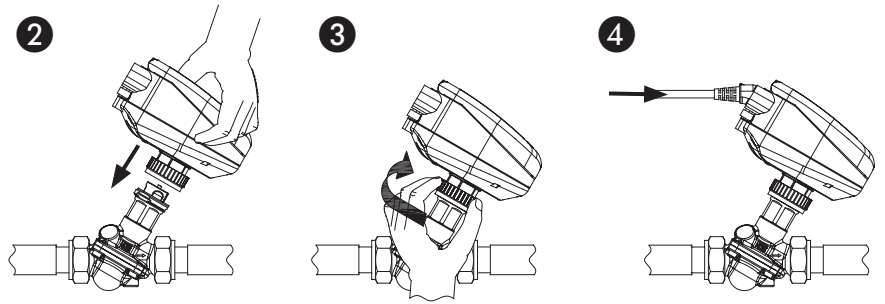
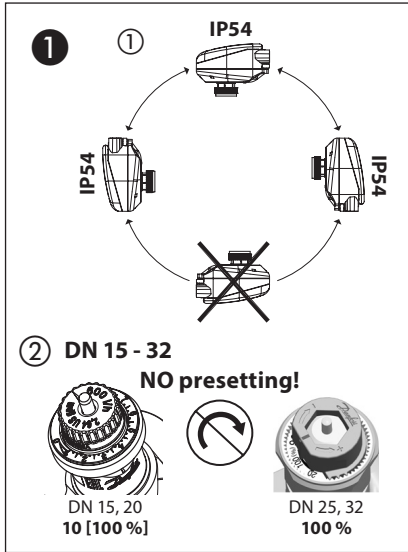


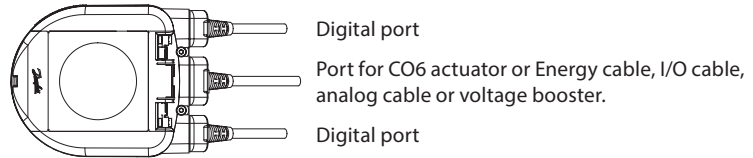
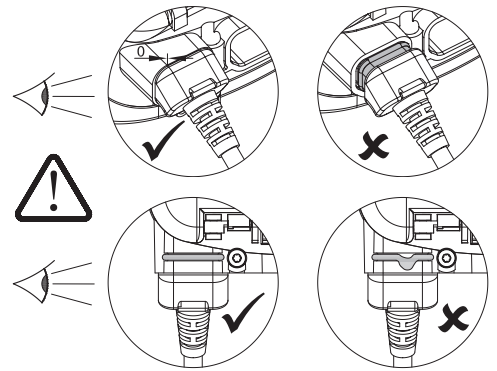
Operating Guide

NovoCon® S / 73690900

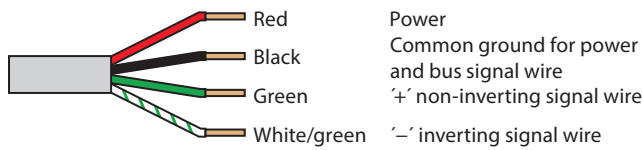
NovoCon® S - High Accuracy Actuator



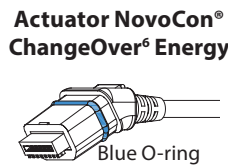
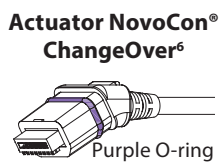
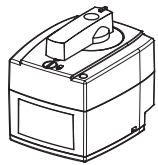
Manuel Calibration: Press button ① until two LED's are turned on, and then release again.
DIP switch: ②
Manual override: Adjust wheel ③



NovoCon® digital cable



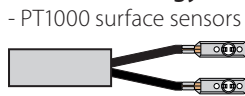
NovoCon® analog cable



Actuator NovoCon® ChangeOver® Flexible



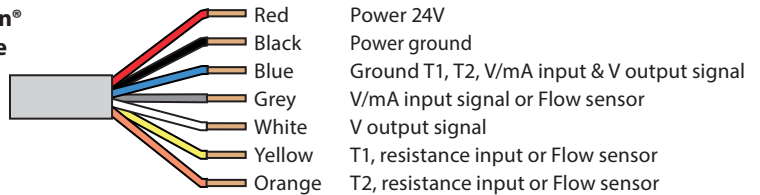
NovoCon® Energy cable



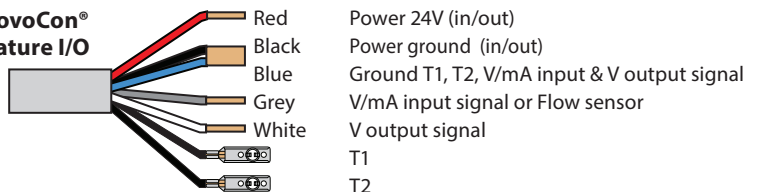
NovoCon® Energy cable



NovoCon® I/O cable



Cable NovoCon® Temperature I/O





NovoCon® S - High Accuracy Actuator

8

NovoCon® S
003Z8504
Actuator for AB-QM DN10-32
Control signal: BACnet MS/TP, Modbus RTU, 0-10V, 0-20mA

Power: 24VAC/DC, 50/60 HZ
Force: 90N, Stroke: 7 mm, Speed: 3-24s/mm
Consumption: 3.3VA running, Standby 0.9W
IP54/40, -10T55

E100 V01
281624
0030471

Danfoss
6430 Nordborg, Denmark
MADE IN SLOVENIA

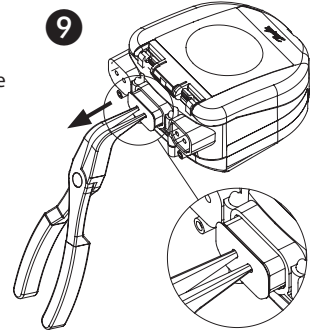
E100 V01
281624
0030471

Serial number and QR code can be removed from the NovoCon® S label and added to installation drawing.

E100 V01
281624
0030471

Device Object Instance Number

9



10

DIP Switch



DIP Switches 1 to 7 are used to assign the MAC address manually. Default MAC address assignment method is Auto MAC addressing for BACnet MS/TP and DIP Switches for Modbus RTU.

For termination of last unit on the field bus, turn DIP Switch 8 ON.

Dip switch 9 is not used.

Dip switch 10 is used to select between BACnet MS/TP (OFF=Default) and Modbus RTU (ON).

When the protocol is changed on DIP Switch 10, a power cycle is required.

11

Optional step (connecting flow sensor)

Cable NovoCon® I/O

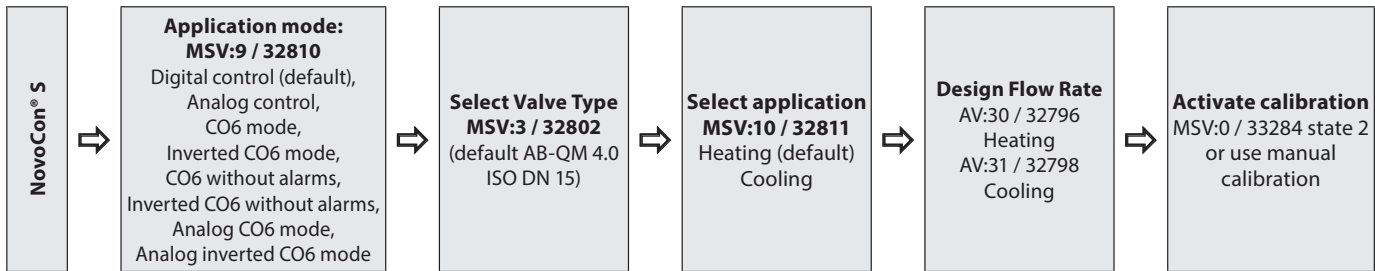
24 V
GND
GND
AI
AO
T1
T2

Sharky FS 473 flow sensor

Wire	Description
Brown	Ground (-)
White	Volume pulse output (+)

12

Initial configuration



13

Safety Note

To avoid injury and damage to persons and devices, it is absolutely necessary these instructions are carefully read and observed prior to assembly and commissioning. Necessary assembly, start-up, and maintenance work must be performed only by qualified, trained and authorised personnel. Switch off the power line before wiring the actuator.

Safety Note

If the NovoCon® S network is supplied with two or more AC power boosters, caution must be observed when disconnecting one of the transformers from the high voltage power line. As the NovoCons are connected in a daisy chain, there may be high voltage on the primary side of the disconnected power supply. Disconnect always both the primary and secondary side of the transformer.

Safety Note

Connect via safety isolating transformer. Galvanic separations shall be provided for segments crossing buildings.

Firmware update

We recommend to validate the firmware version before installation. The latest firmware can be downloaded at www.novocon.com by selecting the tab: Support files.

The following information is provided with the product documentation or marked on the product:

- A) Purpose of control: Operating Control.
- B) Construction of control: Independently Mounted.
- C) Type 1 Action.
- D) Pollution Degree: 3.
- E) Impulse Voltage: 500 V.
- F) Type of movement: Linear.
- G) Mechanical and thermal ratings (ref. to Ratings section for more details).
- H) Main power supply for actuator and "Input control signal" shall be provided by the same SELV/Class 2 circuit.

ИМПОРТЕР:

UA: ТОВ з іі «Данфосс ТОВ» 04080, Київ 80, п/с 168, Україна

Danfoss A/S

Climate Solutions • danfoss.com • +45 7488 2222

All information, including, but not limited to information on selection of product, its application or use, product design, weight, dimensions, capacity or any other technical data in product manuals, catalogues descriptions, advertisements, etc. and whether made available in writing, orally, electronically, online or via download, shall be considered informative, and is only binding if and to the extent, explicit reference is made in a quotation or order confirmation. Danfoss cannot accept any responsibility for possible errors in catalogues, brochures, videos and other material. Danfoss reserves the right to alter its products without notice. This also applies to products ordered but not delivered provided that such alterations can be made without changes to form, fit or function of the product.

All trademarks in this material are property of Danfoss A/S or Danfoss group companies. Danfoss and the Danfoss logo are trademarks of Danfoss A/S. All rights reserved.