

35 503 970 90



- red brass, lead-free
- 2x back flow preventer
- 2x female thread 3/4" connections
- 2x female thread 3/4" outlet for additional valves
- dust cover
- anti-water packing
- soundproofing
- suitable for xGRID (when using installation track + 12 mm recess depth)

**Recommended miscellaneous**

**Extension 28 mm -**

12 177 970 90



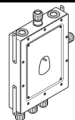
**Recommended miscellaneous**

**Extension 46 mm -**

12 178 970 90



**Required miscellaneous**

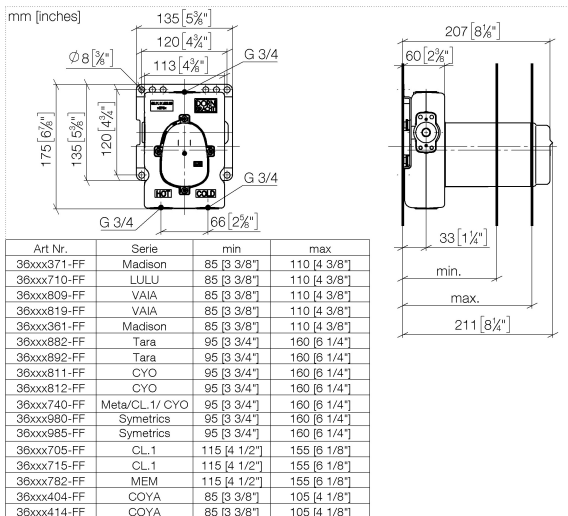


**Drybox Thermostat module  
without volume control -**

39 503 970 90

- Overflow is part of the scope of delivery.

35 503 970 90



### Codes & Standards

EN 1111

EN 1717

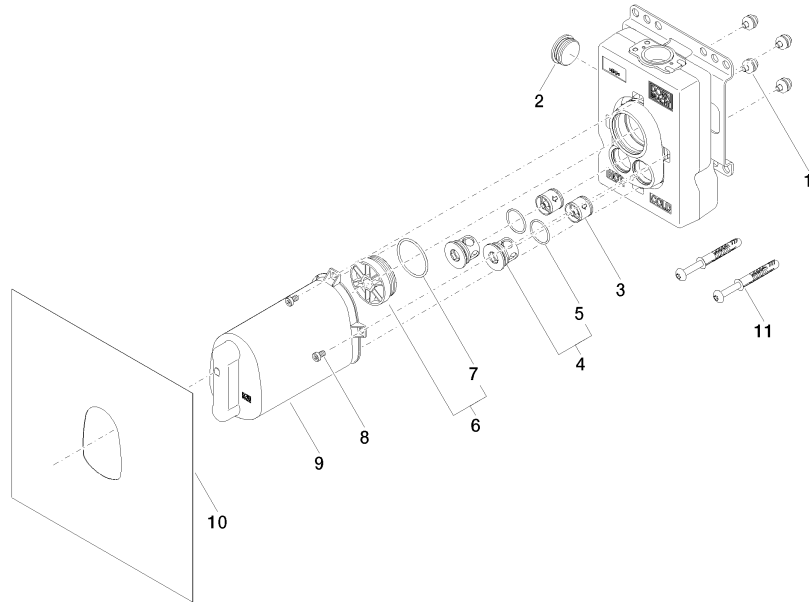
XP P 41-280

### Certificates and sustainability

Belgqua\_21-031-2 ACS\_21 ACC LY

DVGW\_DW-6512DN0

35 503 970 90



### Spare parts list

| No. | Item Number        | Name                | Quantity used | Delivery time |
|-----|--------------------|---------------------|---------------|---------------|
| 6   | 04 31 20 100 00 90 | plug                | 1.00          | 2             |
| 11  | 04 30 31 054 00 90 | fixing set          | 2.00          | 2             |
| 1   | 90 23 01 091 00 90 | set                 | 4.00          | 2             |
| 7   | 09 14 10 111 90    | seal                | 1.00          | 2             |
| 4   | 04 21 34 077 00 90 | nipple              | 2.00          | 2             |
| 5   | 09 14 10 098 90    | seal                | 2.00          | 2             |
| 3   | 90 23 01 045 00 90 | back-flow preventer | 2.00          | 2             |
| 2   | 09 31 20 003 90    | plug                | 1.00          | 2             |
| 10  | 04 14 03 073 04 90 | gasket kit          | 1.00          | 2             |
| 9   | 04 21 02 174 01 90 | cap                 | 1.00          | 2             |
| 8   | 09 30 30 169 90    | screw               | 4.00          | 60            |