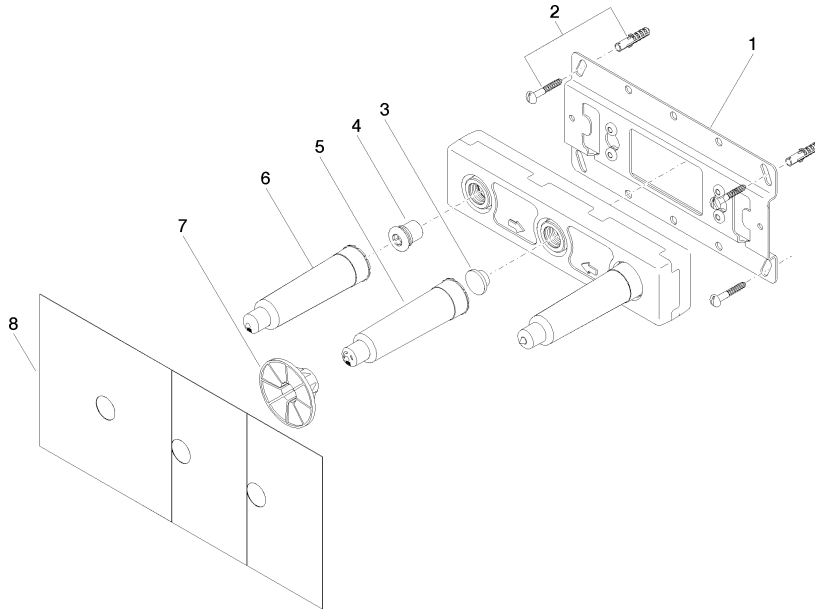


35 700 970 90 Product version from 4/1/2022



Spare parts list

No.	Item Number	Name	Quantity used	Delivery time
6	04 21 02 173 01 90	cap	2.00	2
3	09 31 20 092 90	plug	1.00	2
2	04 30 31 024 01 90	fixing set	2.00	2
7	90 23 01 174 00 90	sleeve	1.00	2
5	09 21 02 173 90	cap	1.00	60
4	04 31 20 037 00 90	plug	2.00	2
1	04 17 20 251 00 90	base	1.00	60
8	04 14 03 072 01 90	gasket kit	3.00	2