

Operating Guide

AB-QM DN 15, 20



MAINTENANCE
FREE



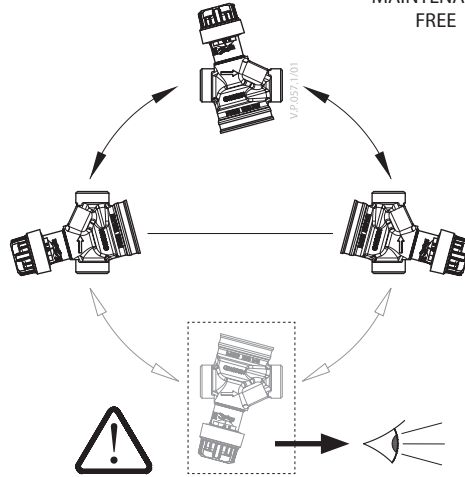
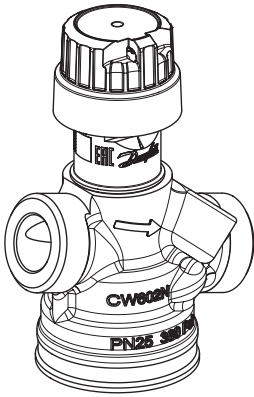
-10 ... 95°C



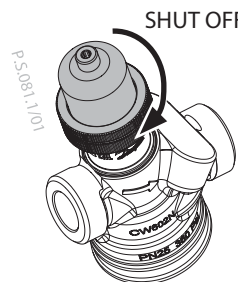
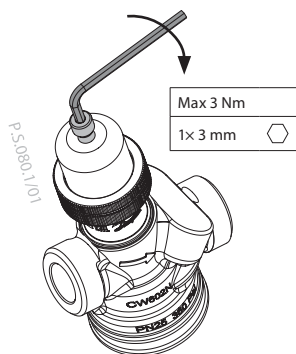
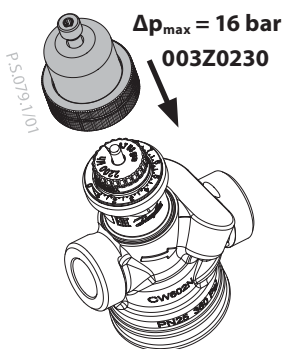
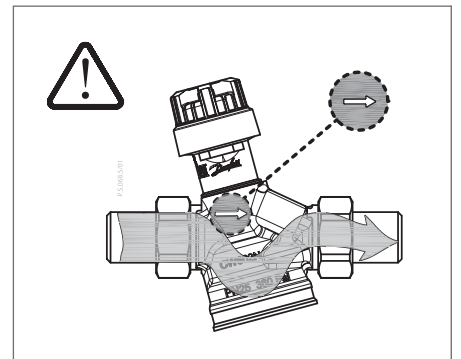
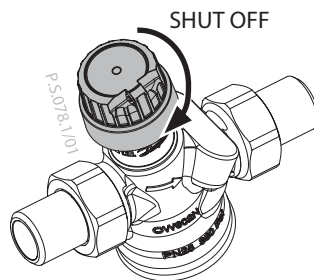
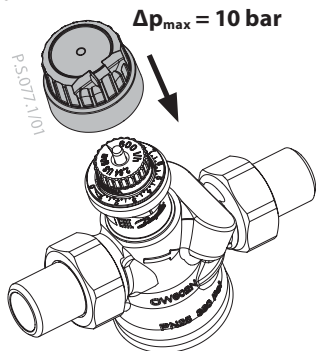
PN 25



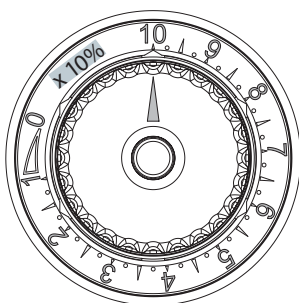
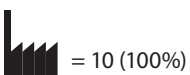
$\Delta p_{max} = 600\text{kPa}$
(6 bar)



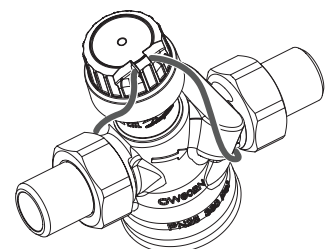
Shut-off



Setting



Locking



AB-QM DN 15, 20

Dimensions

DN	Length		Height		Threaded	Welded
	L - ext. (mm)	L - int. (mm)	H ₁ (mm)	H ₂ (mm)	A (mm)	
15	65	75	46.6	36.7	120	139
20	82	85	66.2	43.9	143	166
25						
32						

DN	TWA-Q	ABNM	AME/AMV 110NL, 120 NL, AMI 140	NovoCon™	AME 13 SU
	H (mm)				
15	110.8	97.8	131.3	130.1	210.7
20	112	99	132.5	131.3	212.1
25					
32					

Setting	DN15 LF			DN 15			DN 15 HF			DN 20			DN 20 HF			DN 25 HF/ DN 32			DN 32 HF		
	L/h	L/s	GPM	L/h	L/s	GPM	L/h	L/s	GPM	L/h	L/s	GPM	L/h	L/s	GPM	L/h	L/s	GPM	L/h	L/s	GPM
10%	20	0.006	0.09	65	0.018	0.29	120	0.033	0.53	110	0.03	0.48	190	0.053	0.84						
15%	30	0.008	0.13	98	0.027	0.43	180	0.050	0.79	165	0.05	0.73	285	0.079	1.25						
20%	40	0.011	0.18	130	0.036	0.57	240	0.067	1.06	220	0.06	0.97	380	0.106	1.67						
25%	50	0.014	0.22	163	0.045	0.72	300	0.083	1.32	275	0.08	1.21	475	0.132	2.09						
30%	60	0.017	0.26	195	0.054	0.86	360	0.100	1.59	330	0.09	1.45	570	0.158	2.51						
35%	70	0.019	0.31	228	0.063	1.00	420	0.117	1.85	385	0.11	1.70	665	0.185	2.93						
40%	80	0.022	0.35	260	0.072	1.14	480	0.133	2.11	440	0.12	1.94	760	0.211	3.35						
45%	90	0.025	0.40	293	0.081	1.29	540	0.150	2.38	495	0.14	2.18	855	0.238	3.76						
50%	100	0.028	0.44	325	0.090	1.43	600	0.167	2.64	550	0.15	2.42	950	0.264	4.18						
55%	110	0.031	0.48	358	0.099	1.57	660	0.183	2.91	605	0.17	2.66	1045	0.290	4.60						
60%	120	0.033	0.53	390	0.108	1.72	720	0.200	3.17	660	0.18	2.91	1140	0.317	5.02						
65%	130	0.036	0.57	423	0.117	1.86	780	0.217	3.43	715	0.20	3.15	1235	0.343	5.44						
70%	140	0.039	0.62	455	0.126	2.00	840	0.233	3.70	770	0.21	3.39	1330	0.370	5.86						
75%	150	0.042	0.66	488	0.135	2.15	900	0.250	3.96	825	0.23	3.63	1425	0.396	6.27						
80%	160	0.044	0.70	520	0.144	2.29	960	0.267	4.23	880	0.24	3.87	1520	0.422	6.69						
85%	170	0.047	0.75	553	0.154	2.43	1020	0.283	4.49	935	0.26	4.12	1615	0.449	7.11						
90%	180	0.050	0.79	585	0.163	2.58	1080	0.300	4.76	990	0.28	4.36	1710	0.475	7.53						
95%	190	0.053	0.84	618	0.172	2.72	1140	0.317	5.02	1045	0.29	4.60	1805	0.502	7.95						
100%	200	0.056	0.88	650	0.181	2.86	1200	0.333	5.28	1100	0.31	4.84	1900	0.528	8.37						

Danfoss A/S

Heating Segment • danfoss.com • +45 7488 2222 • E-Mail: heating@danfoss.com

Danfoss can accept no responsibility for possible errors in catalogues, brochures and other printed material. Danfoss reserves the right to alter its products without notice. This also applies to products already on order provided that such alterations can be made without consequential changes being necessary in specifications already agreed. All trademarks in this material are property of the respective companies. Danfoss and all Danfoss logotypes are trademarks of Danfoss A/S. All rights reserved.