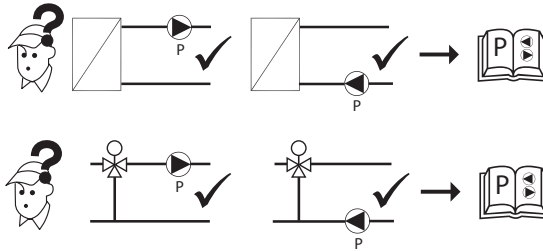
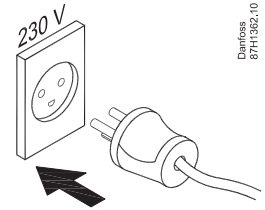
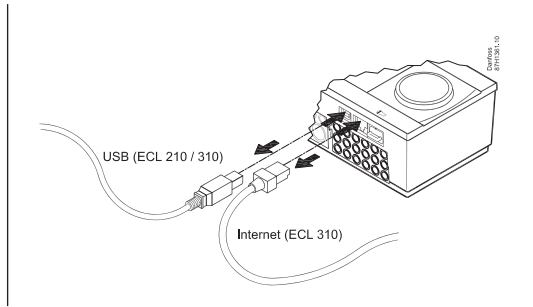
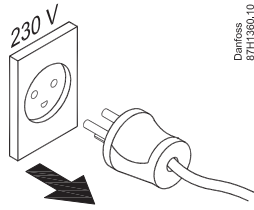
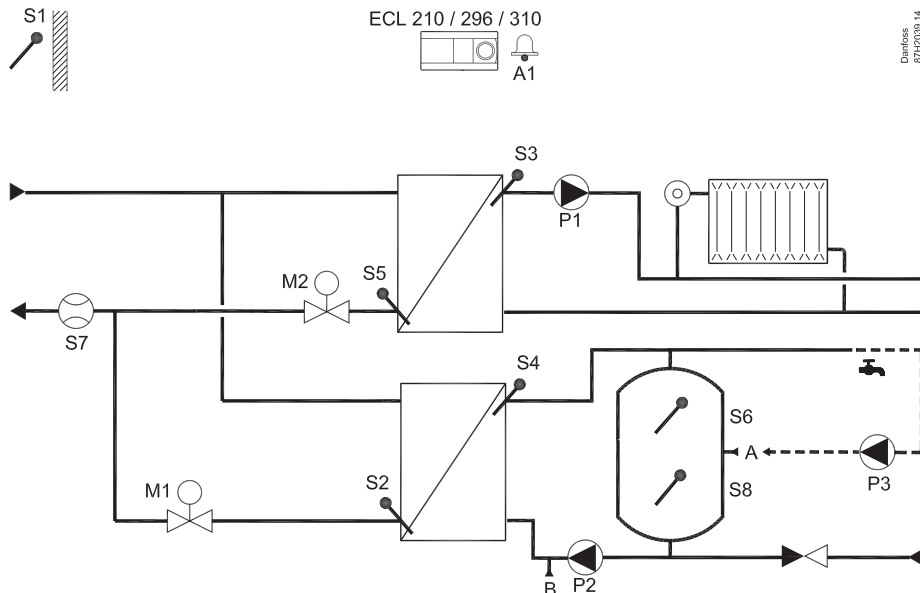


Installation Guide

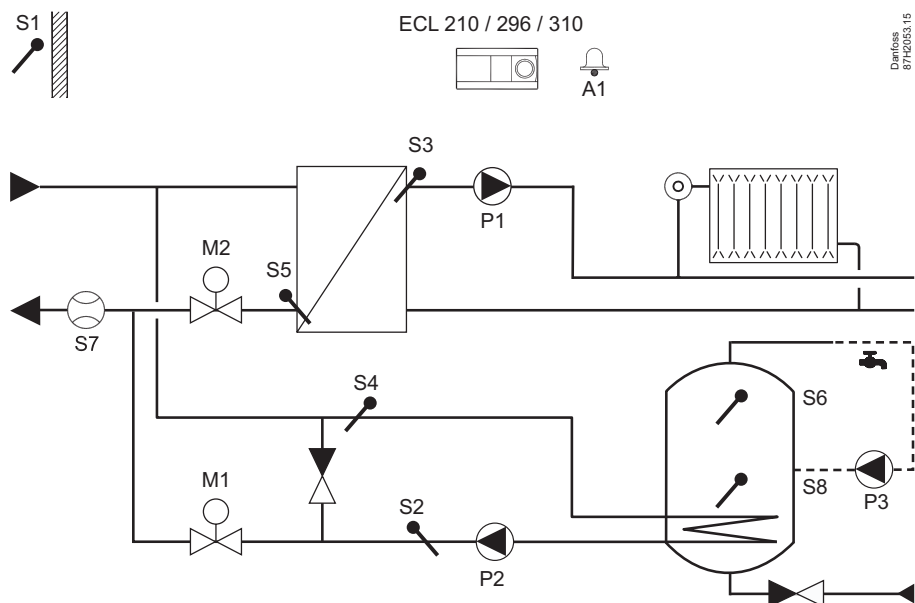
ECL Comfort 210 / 296 / 310, A247 / A347 (code no. 087H3808, 087H3822)



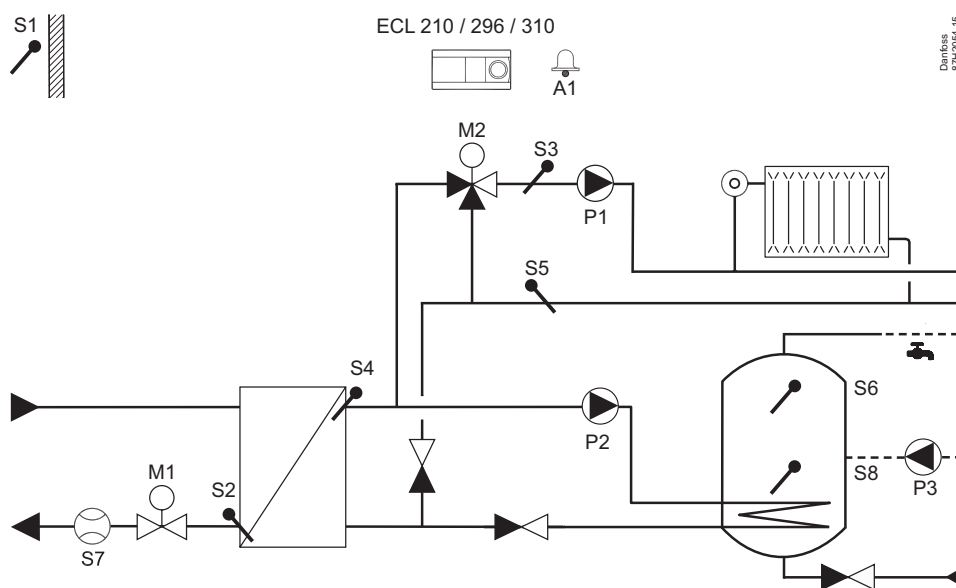
A247.1, ex. a:



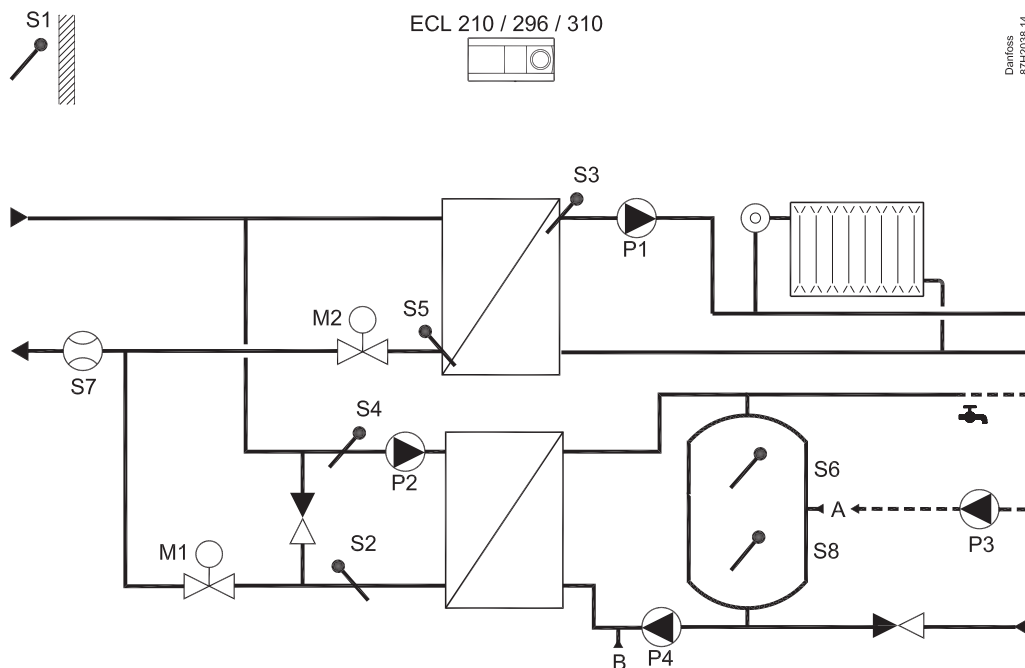
A247.1, ex. b:



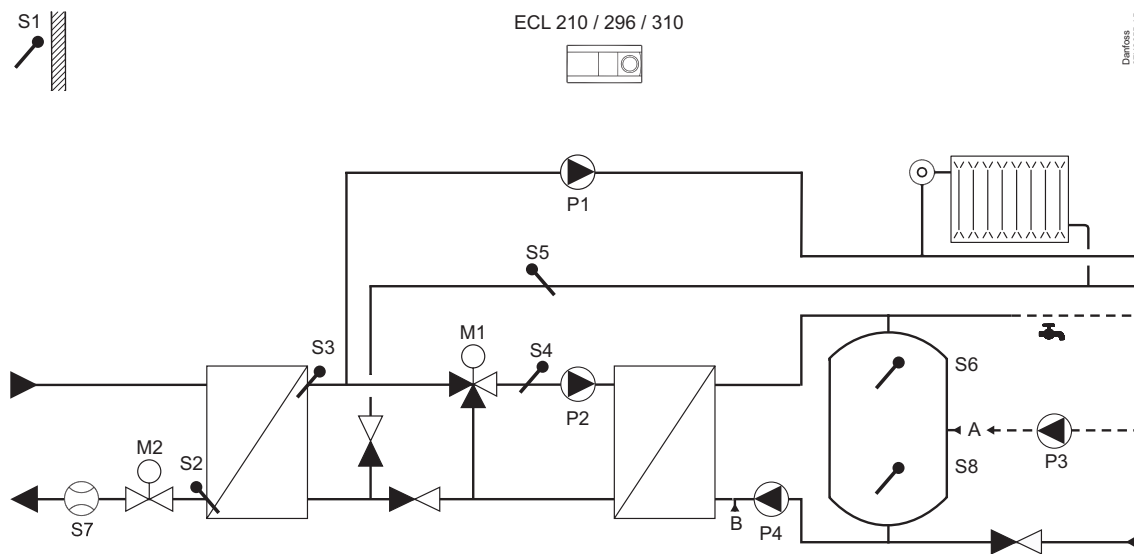
A247.1, ex. c:



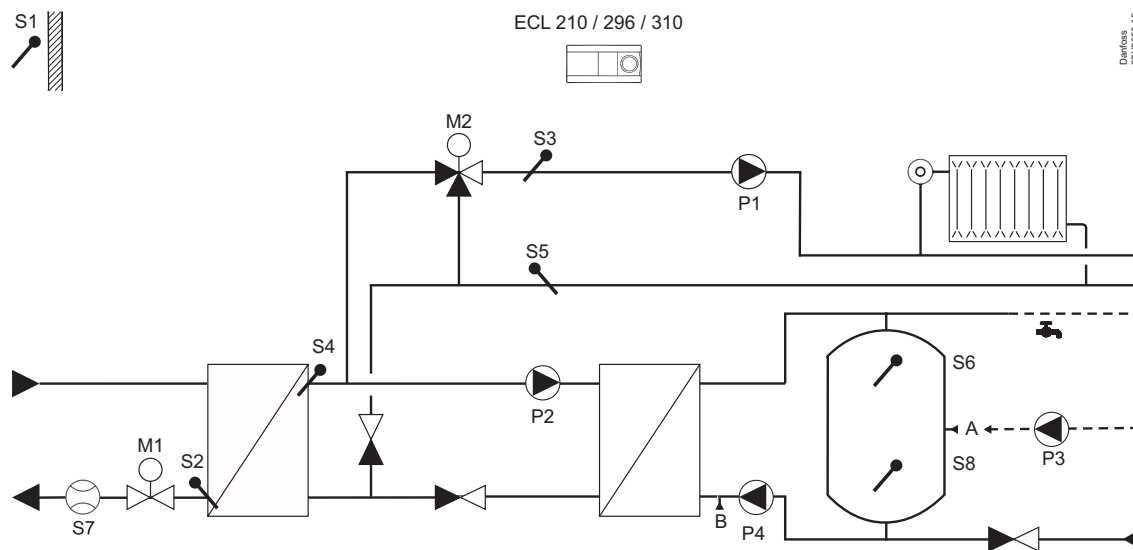
A247.2, ex. a:



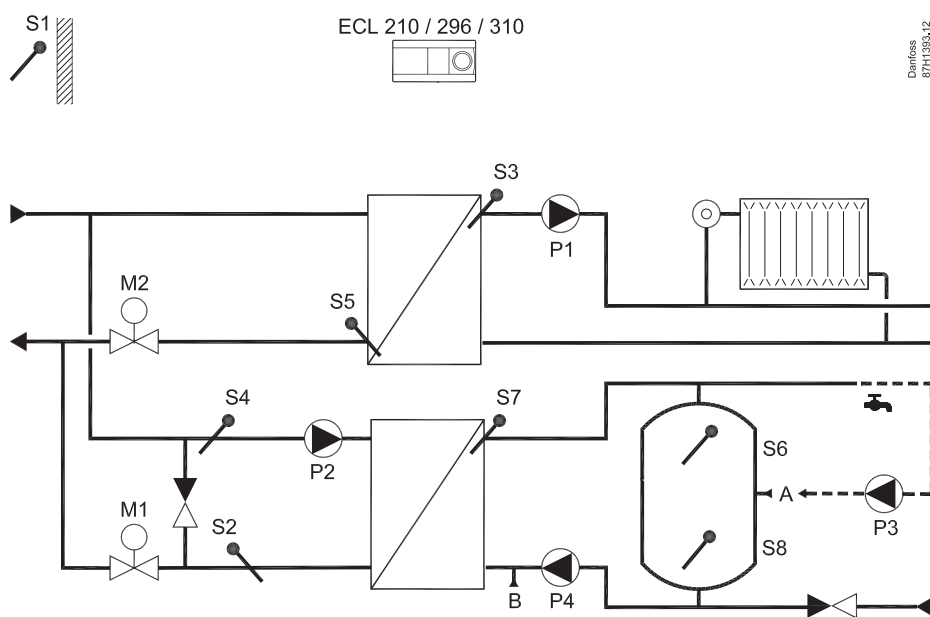
A247.2, ex. b:



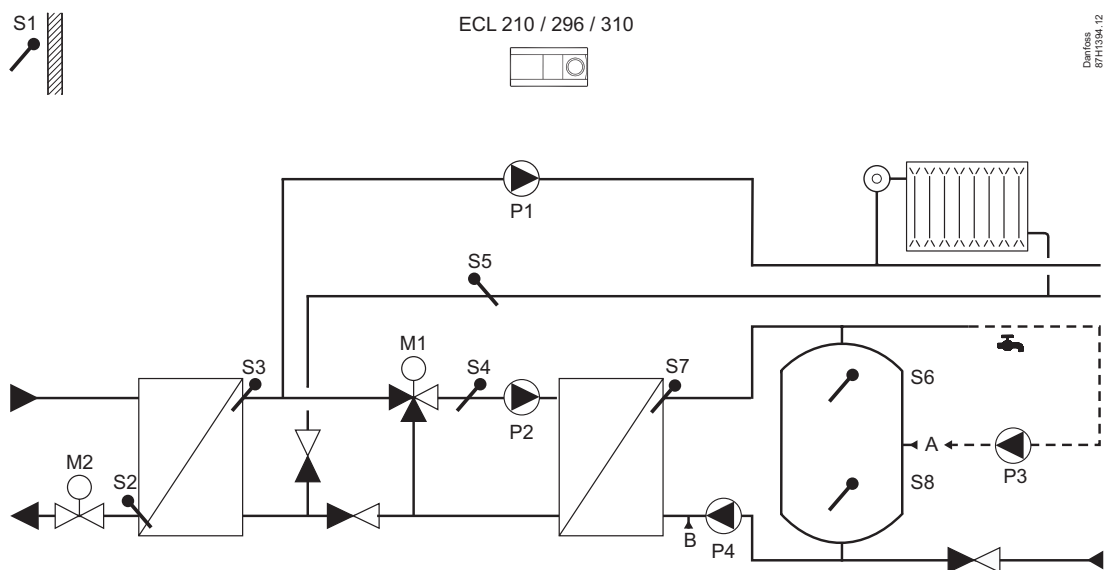
A247.2, ex. c:



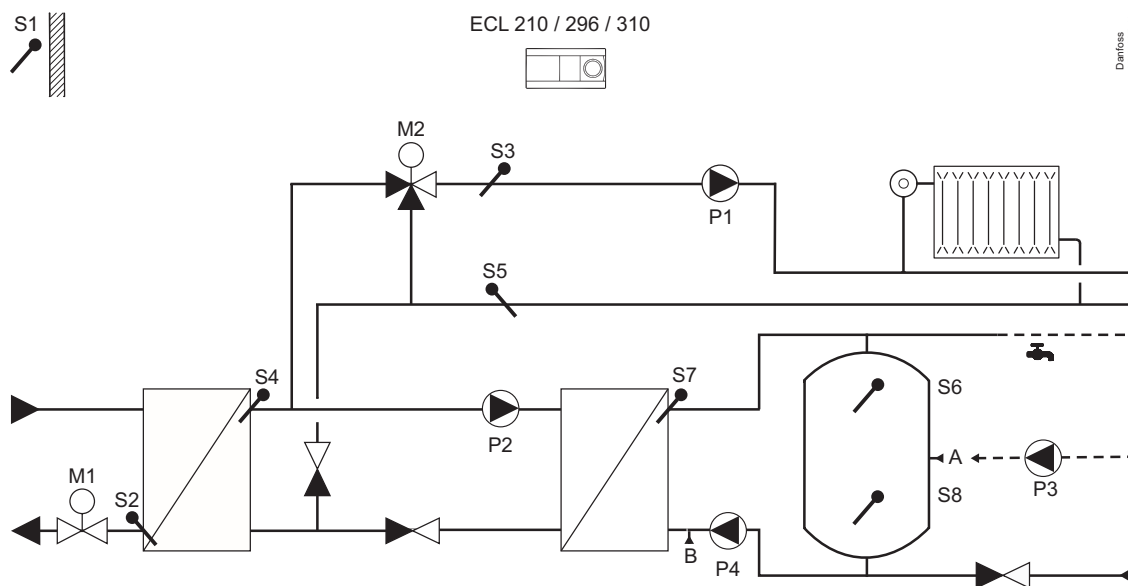
A247.3, ex. a:



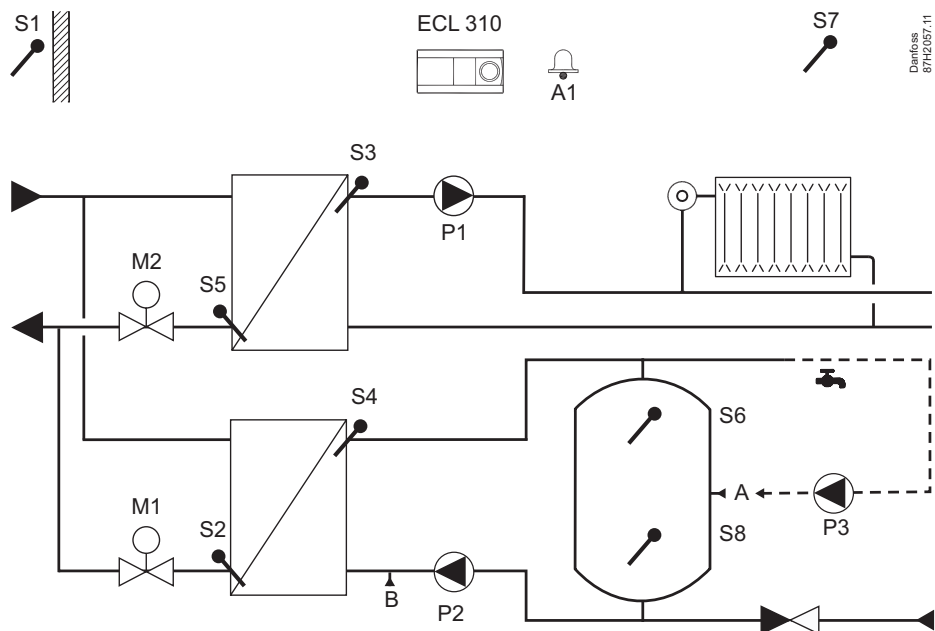
A247.3, ex. b:



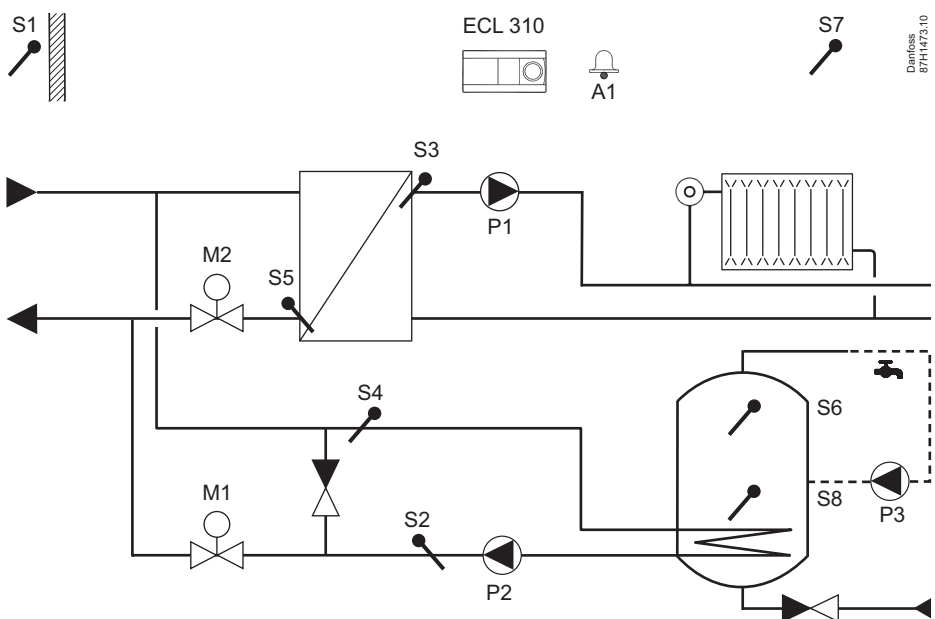
A247.3, ex. c:



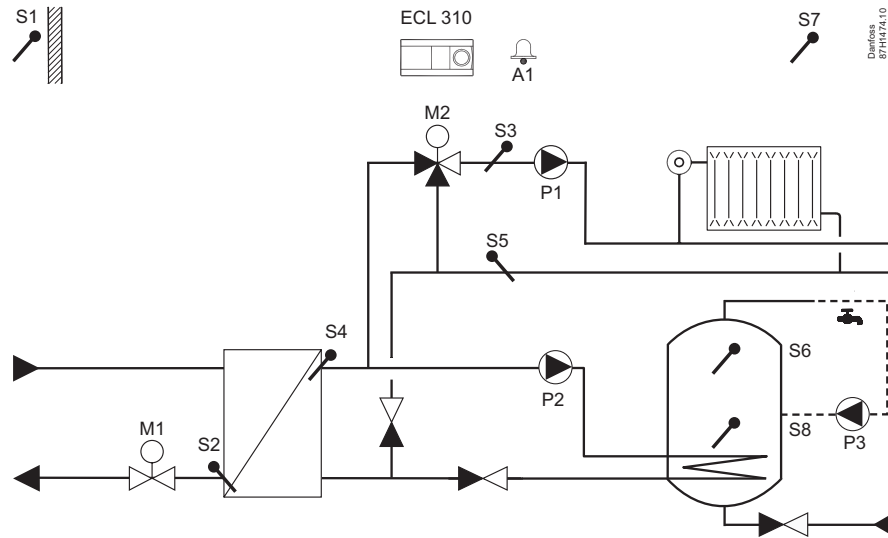
A347.1, ex. a:



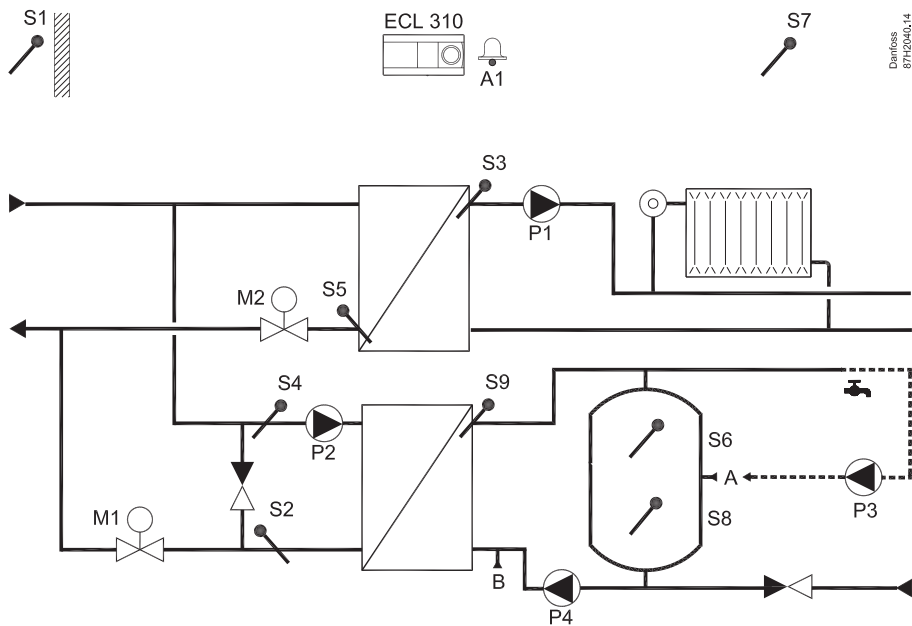
A347.1, ex. b:



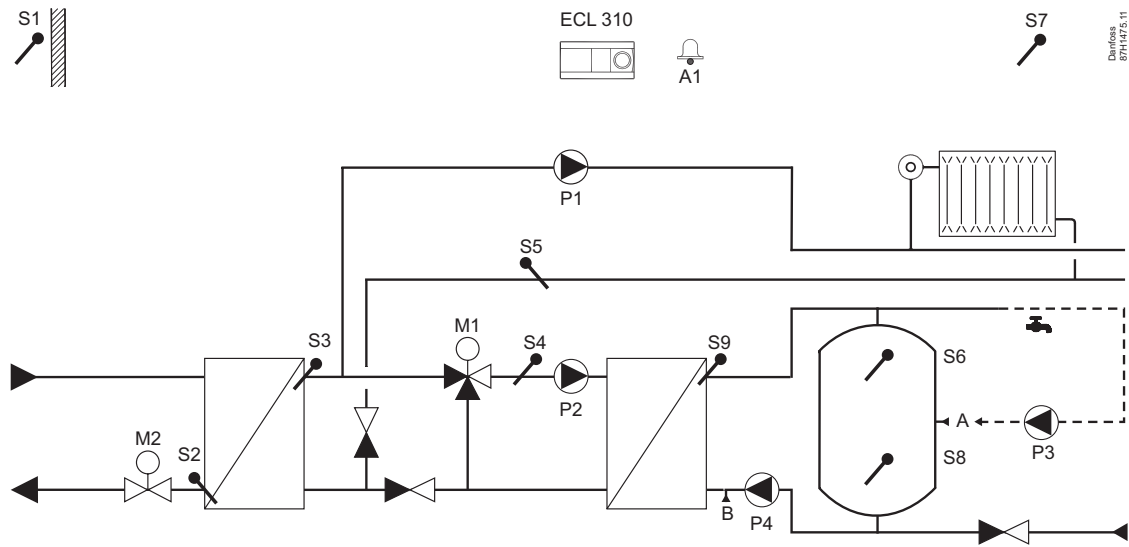
A347.1, ex. c:



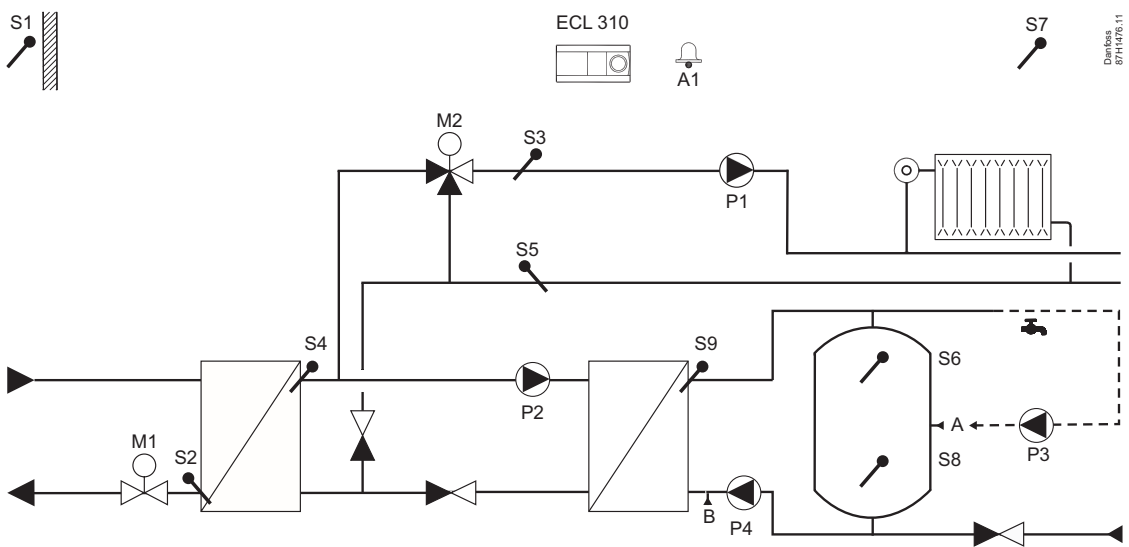
A347.2, ex. a:



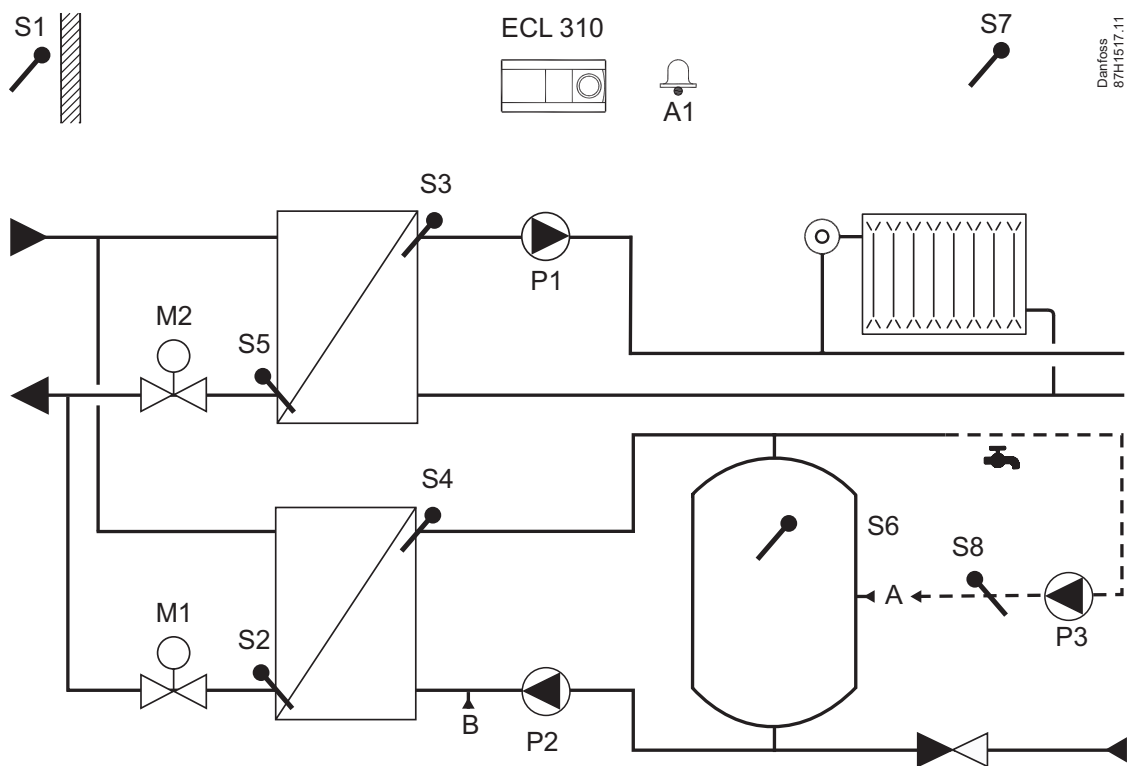
A347.2, ex. b:



A347.2, ex. c:



A347.3, ex. a






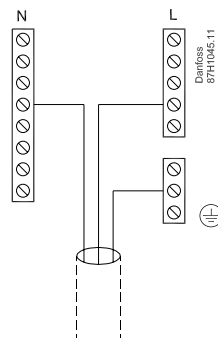
Danfoss
87H1517.11

Installation Guide, ECL Comfort 210 / 296 / 310, A247 / A347

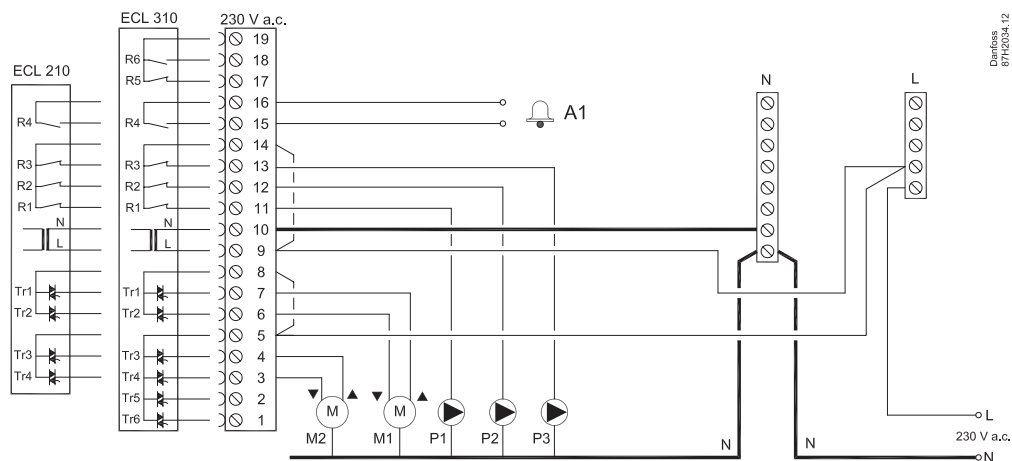
ECL Comfort 210 / 296 / 310:

230 V a.c.

R 	4 (2) A / 230 V a.c.
R 	
Tr 	0,2 A / 230 V a.c.

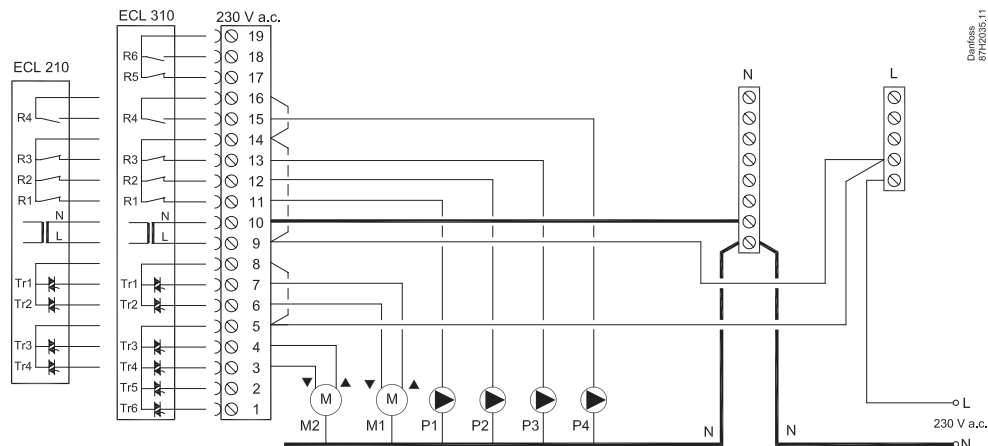


230 V a.c., A247.1



Danfoss 87H2034.12

230 V a.c., A247.2 / A247.3



Danfoss 87H5035.11

Installation Guide, ECL Comfort 210 / 296 / 310, A247 / A347

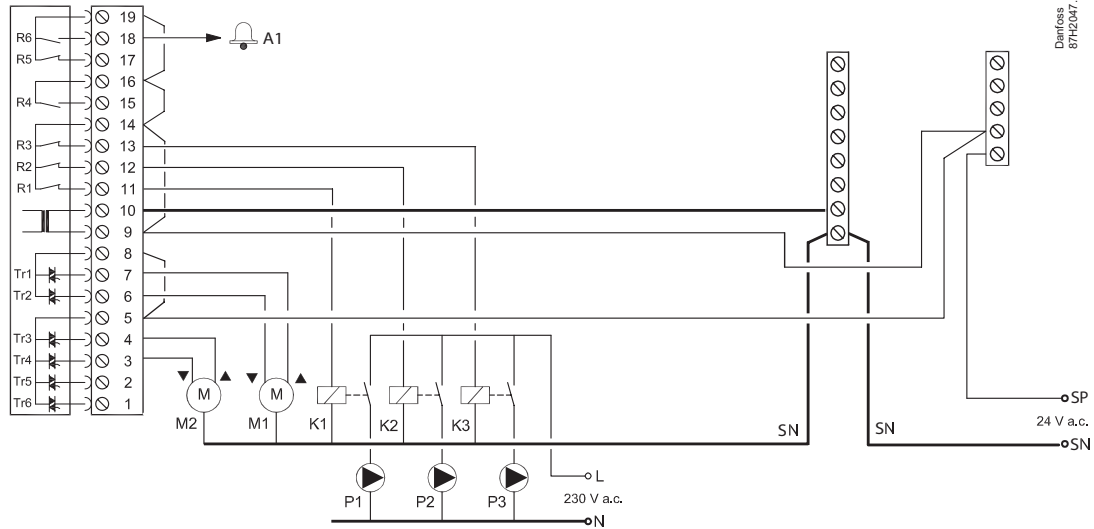
ECL Comfort 210 / 296 / 310:

24 V a.c.

R		4 (2) A / 24 V a.c.
Tr		1 A / 24 V a.c.

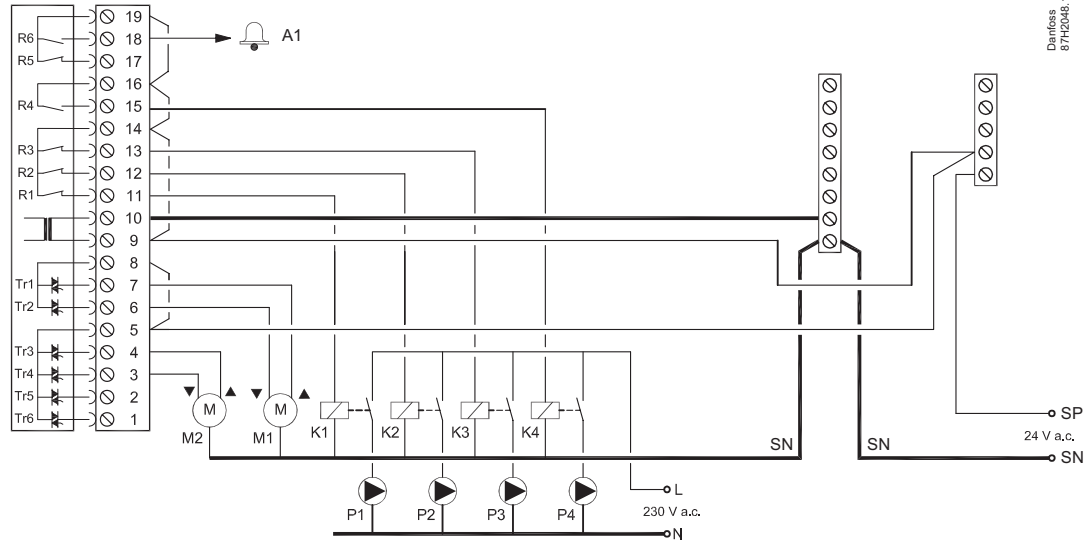
24 V a.c., A247.1 / A347.1

ECL 310 / 24 V a.c.



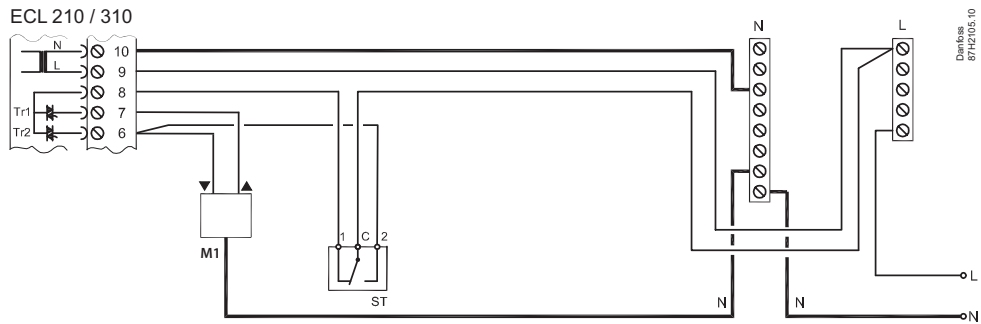
24 V a.c., A247.2 / A247.3 / A347.2 / A347.3

ECL 310 / 24 V a.c.



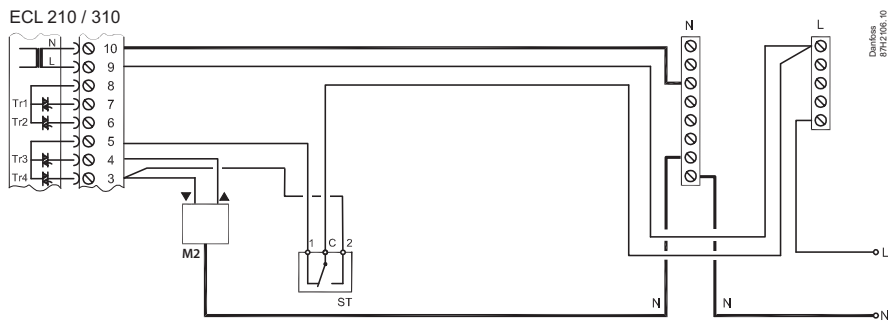
230 V a.c. / 24 V a.c. , safety thermostat

1-step closing



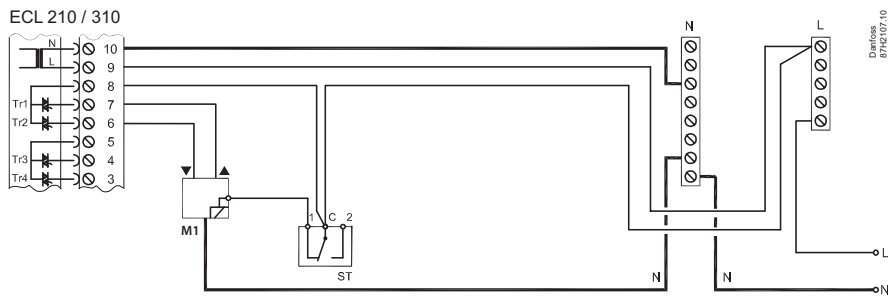
230 V a.c. / 24 V a.c. , safety thermostat

1-step closing



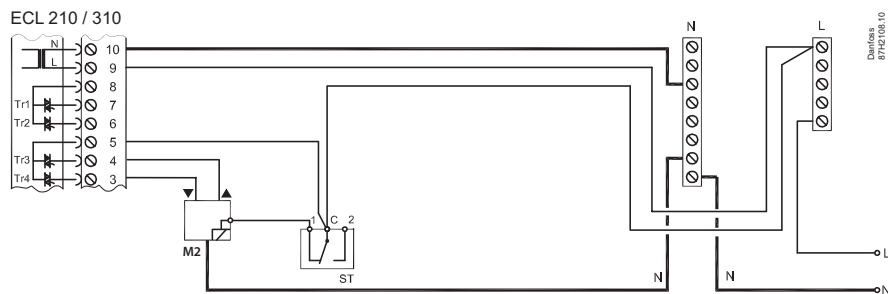
230 V a.c. / 24 V a.c. , safety thermostat

1-step closing



230 V a.c. / 24 V a.c. , safety thermostat

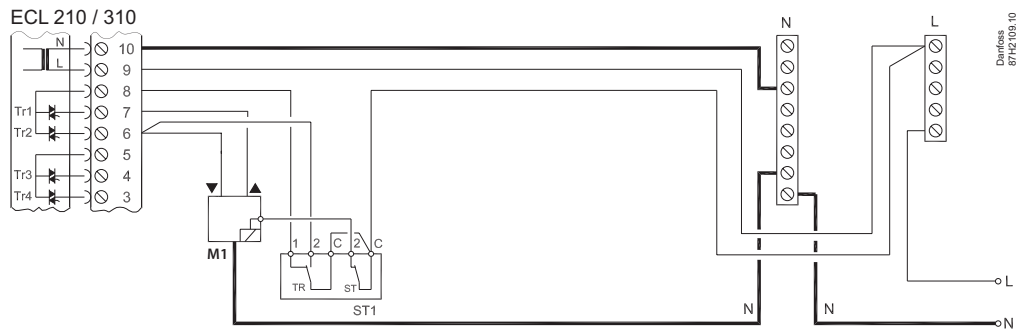
1-step closing



Installation Guide, ECL Comfort 210 / 296 / 310, A247 / A347

230 V a.c. / 24 V a.c., safety thermostat

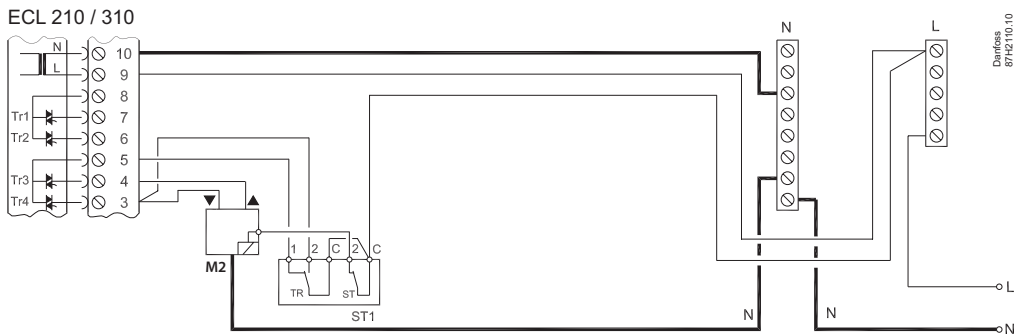
2 step closing



Danfoss
87H21031.10

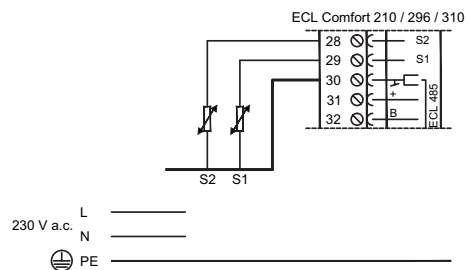
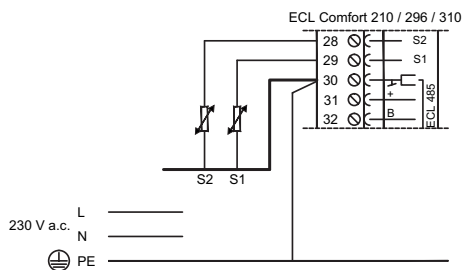
230 V a.c. / 24 V a.c., safety thermostat

2 step closing



Danfoss
87H2110.10

Pt 1000 (1000 Ω / 0 °C)



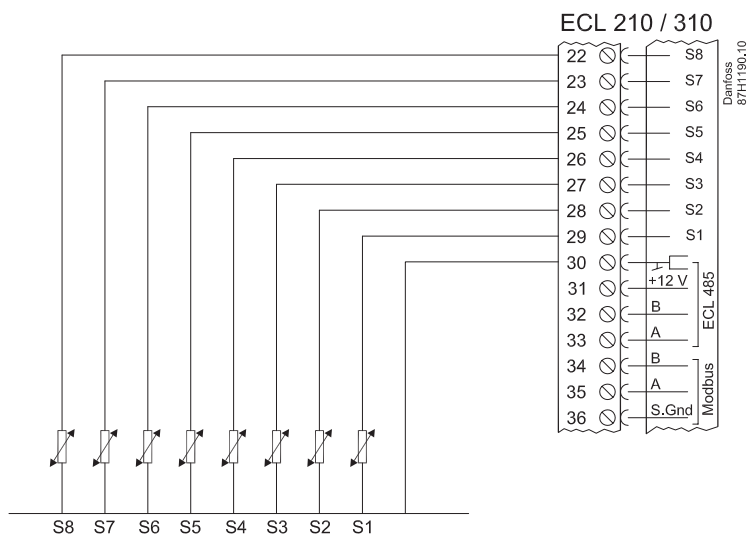
Danfoss
87H1487.11

Installation Guide, ECL Comfort 210 / 296 / 310, A247 / A347

Pt 1000 (1000 Ω / 0 °C)

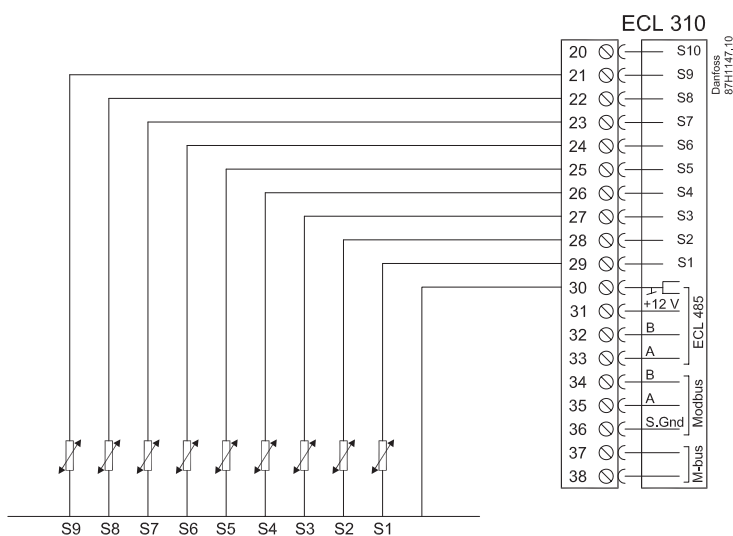
A247.1 / A247.2 / A247.3

	S1	S2	S3	S4	S5	S6	S7	S8
A247.1	✓	✓	✓	✓	✓	✓		✓
A247.2	✓	✓	✓	✓	✓	✓		✓
A247.3	✓	✓	✓	✓	✓	✓	✓	✓



A347.1 / A347.2 / A347.3

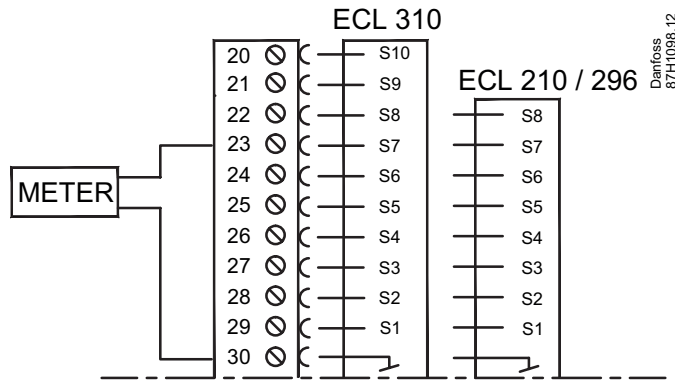
	S1	S2	S3	S4	S5	S6	S7	S8	S9	S10
A347.1	✓	✓	✓	✓	✓	✓	✓	✓		0 - 10 V
A347.2	✓	✓	✓	✓	✓	✓	✓	✓	✓	0 - 10 V
A347.3	✓	✓	✓	✓	✓	✓	✓	✓		0 - 10 V



A247.1 / A247.2



S7



A247.1 / A247.2

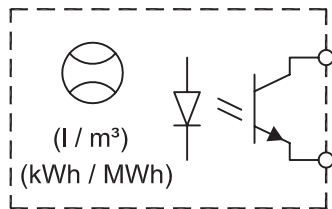


S7



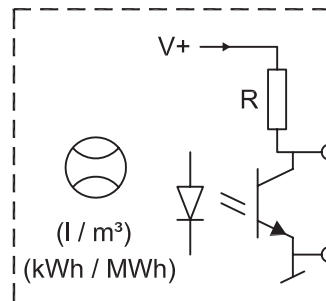
A / B ?

A:



Danfoss
87H1457.10

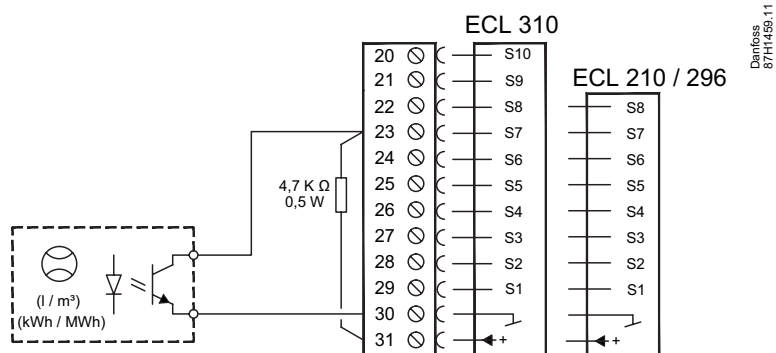
B:



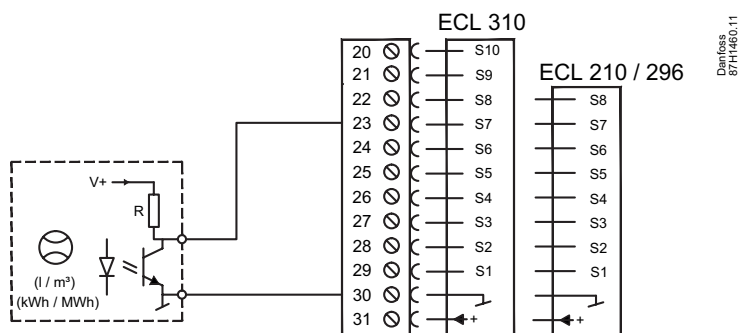
Danfoss
87H1458.10



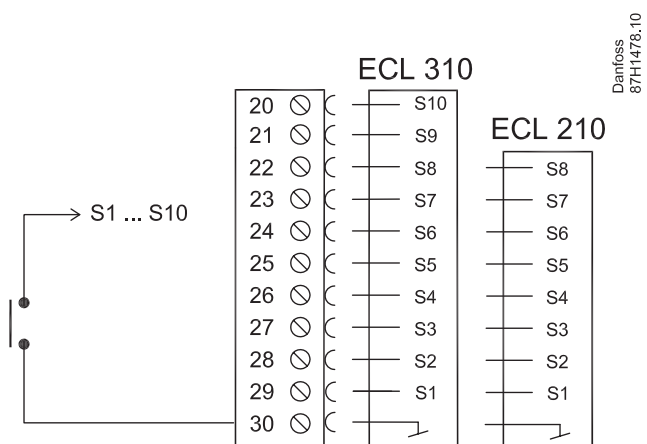
A:



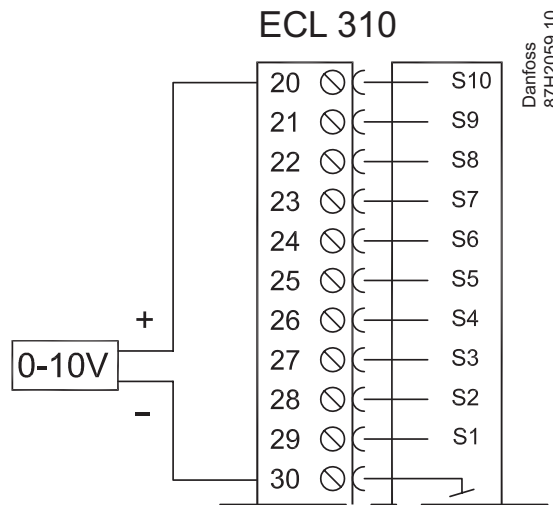
B:



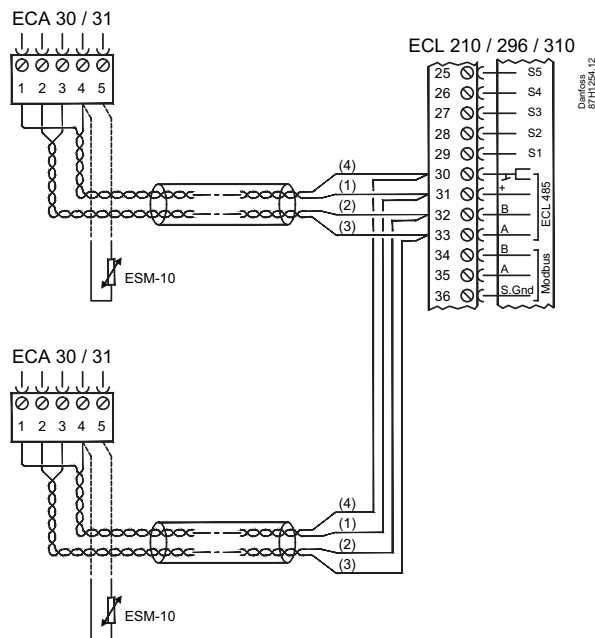
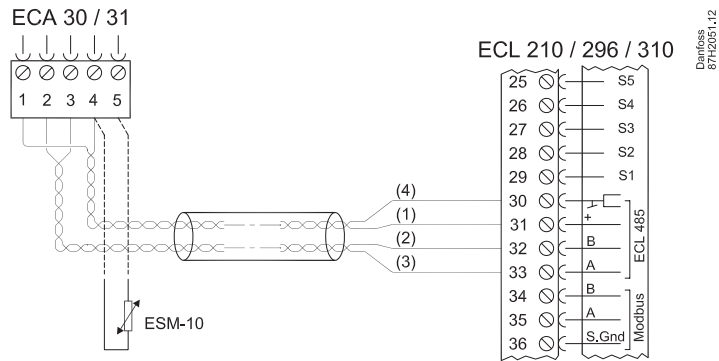
A247 / A347



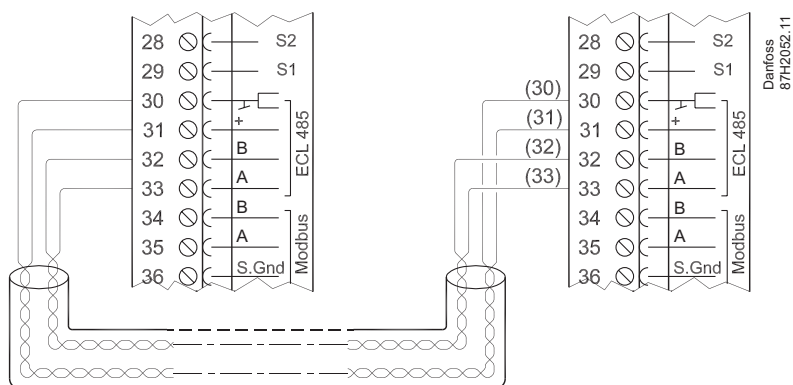
A347.1 / A347.2 / A347.3



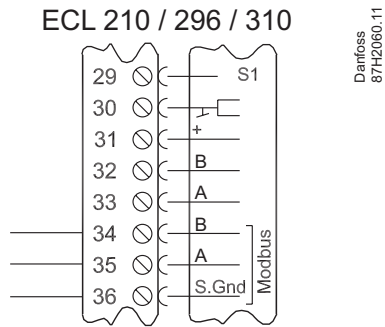
ECA 30 / 31



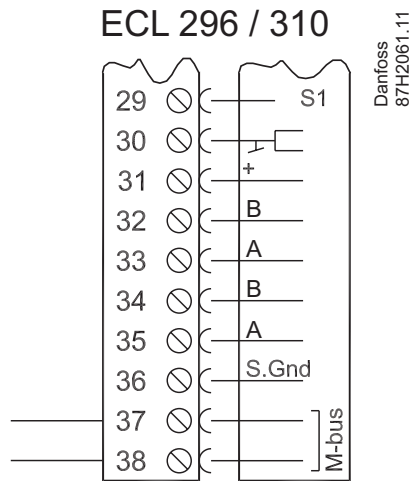
Master / slave



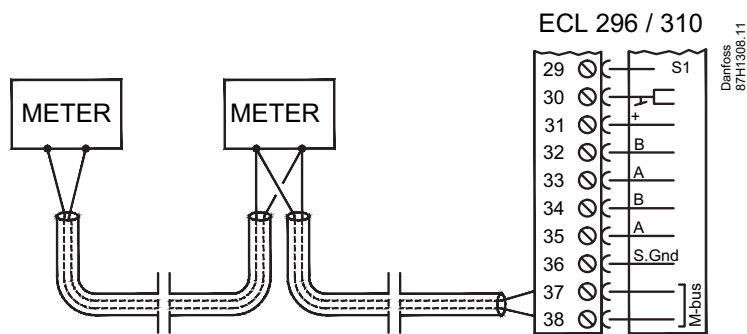
Modbus



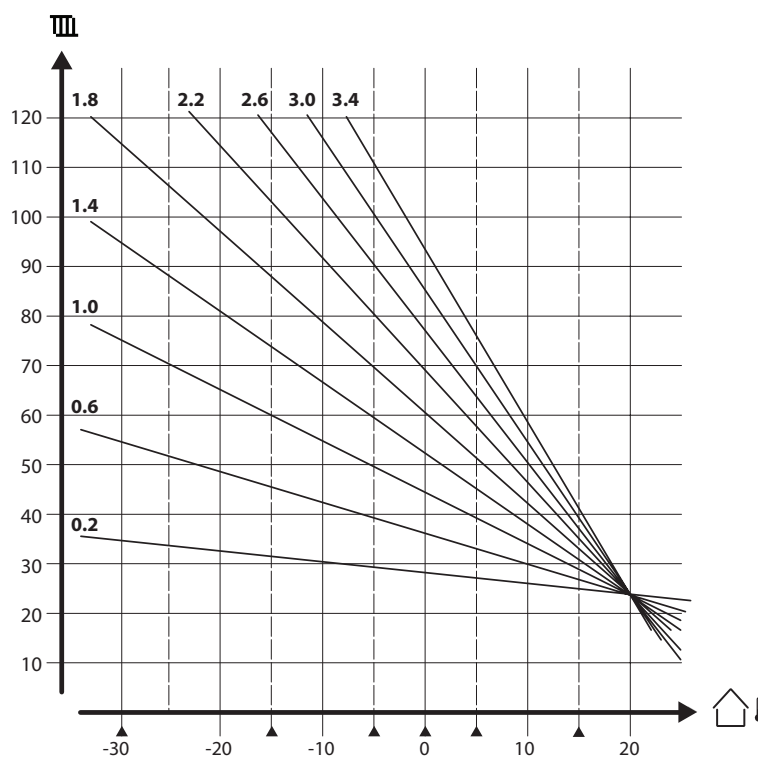
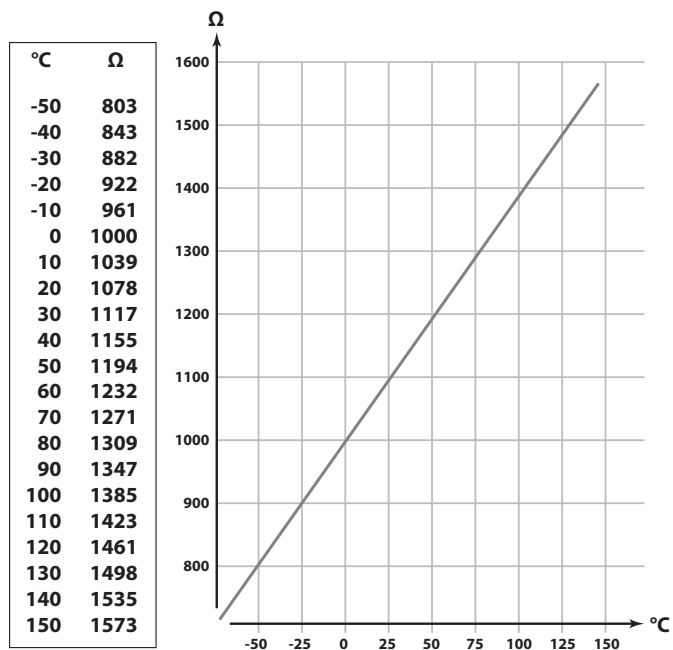
M-bus



M-bus

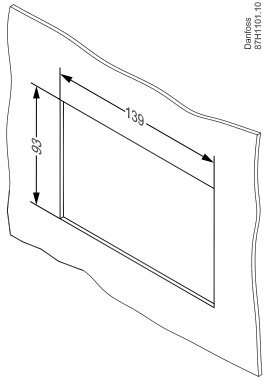


Pt 1000 (IEC 751B, 1000 Ω / 0 °C)

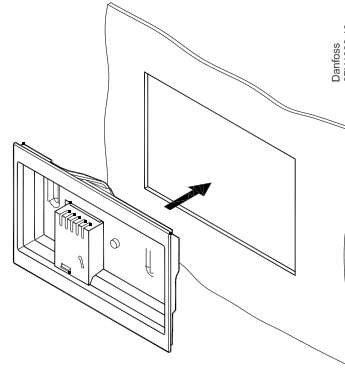


ECA 30

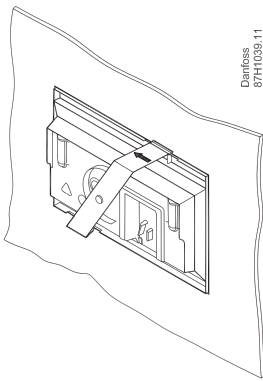
1



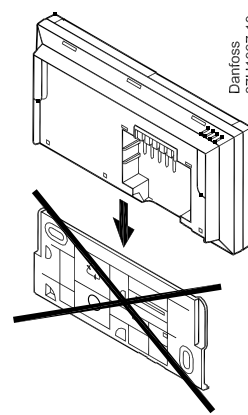
2



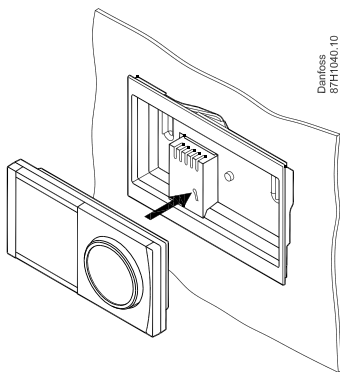
3



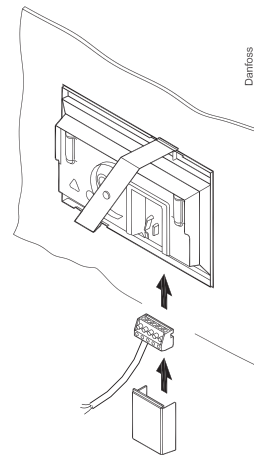
4



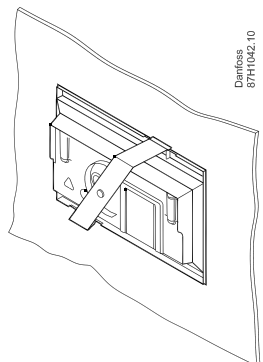
5



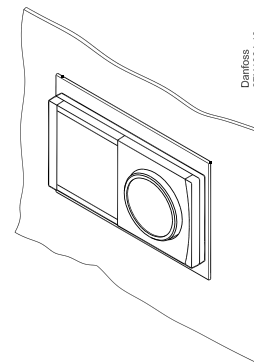
6



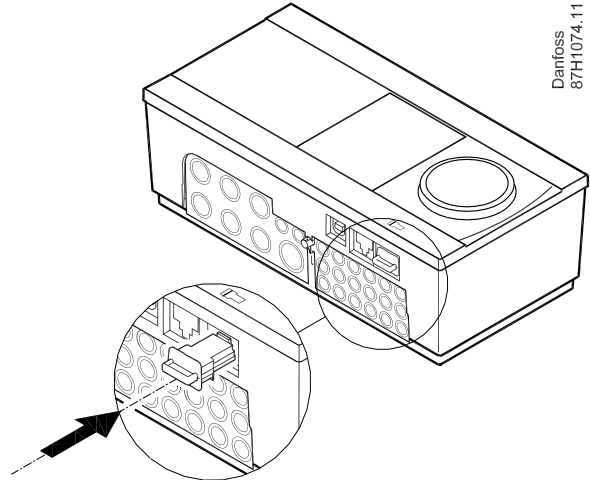
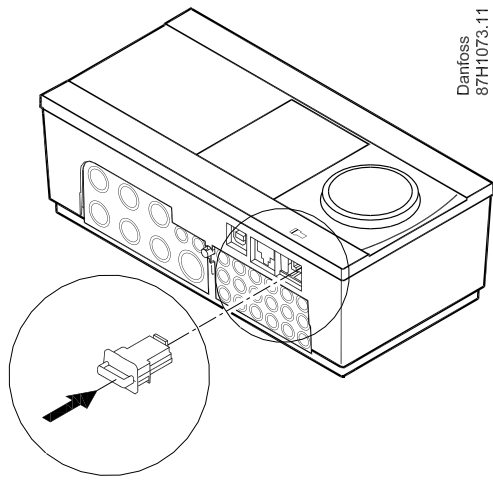
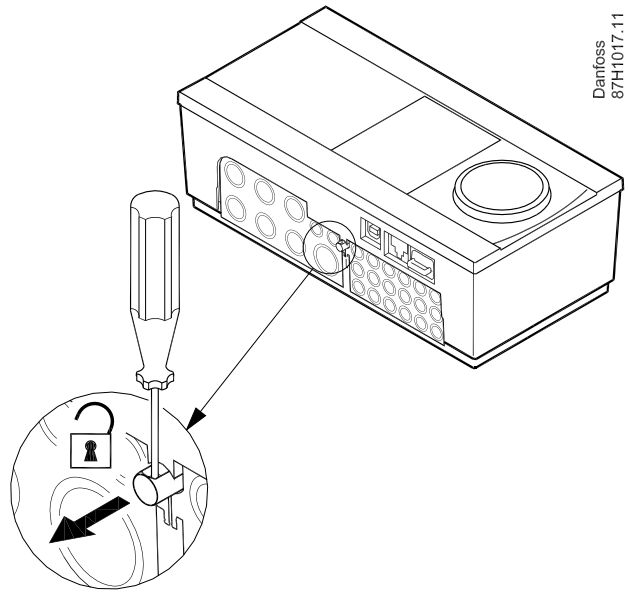
7



8



Installation Guide, ECL Comfort 210 / 296 / 310, A247 / A347



? **ECL Comfort 210 / 296 / 310, A247 / A347: www.heating.danfoss.com**



Danfoss can accept no responsibility for possible errors in catalogues, brochures and other printed material. Danfoss reserves the right to alter its products without notice. This also applies to products already on order provided that such alterations can be made without consequential changes being necessary in specifications already agreed. All trademarks in this material are property of the respective companies. Danfoss and the Danfoss logotype are trademarks of Danfoss A/S. All rights reserved.