



Uppgiftslämnaren reserverar sig för eventuella fel i produktinformationen eller felaktigt registrerade uppgifter och förbehåller sig rätten att korrigera och/eller komplettera produktinformation utan föregående avisering

1

GRUNDDATA

Varubeskrivning

Submersible/sewage pumps

Övriga upplysningar

Klassificeringar

ETIM ›	-EC010733 - Dräneringspump (dränkbar)
BK04 ›	
BSAB ›	
UNSPSC ›	

Leverantörsuppgifter

Företagsnamn

WILO Nordic AB

Organisationsnummer

5560124769

Adress

Isbjörnsvägen 6

Hemsida

www.wilo.se

Miljökontaktperson

Namn

Wilo kundsupport

Telefon

0470-72 76 00

E-post

wilo@wilo.se

2

HÅLLBARHETSARBETE

Företagets certifiering

- ISO 9000
- ISO 14000

INNEHÅLLSDEKLARATION

Kemisk produkt	Nej
Omfattas varan av RoHS-direktivet	Ja
Innehåller produkten tillsatt nanomaterial, som är medvetet tillsatta för att uppnå en viss funktion	Nej
Varans vikt	19 - 26 kg

Vara / Delkomponenter

Koncentrationen har beräknats på hela varan

Ingående material /komponenter	Vikt-% i komponent	CAS-nr (alt legering)	EG-nr (alt legering)	Vikt % i produkt	Kommentar
Stainless steel 1.4021, 1.4401, 1.4301, 1.4404, 1.4571	10% - 25%			10 - 25%	
Electrical steel	15% - 40%	800-50-175		15 - 40%	
Gråjärn Gjutjärn EN-GJL-250	10% - 25%	Övrigt, metaller		10 - 25%	
Koppar	10% - 25%	7440-50-8	231-159-6	10 - 25%	
Aluminium (fast)	1% - 2,5%	7429-90-5	231-072-3	1 - 2,5%	
Elastomer	10% - 25%	905-98-5, 910-79-1, 64754-90-1		10 - 25%	
Vit olja eller White Mineral Oil (Petroleum)	2,5% - 10%	8042-47-5	232-455-8	2,5 - 10%	
Polypropylen with glass fiber	10% - 25%	9003-70-0, 65997-17-3		10 - 25%	
Bly	0,1% - 2%	7439-92-1	231-100-4	0,1 - 2%	

Del av materialinnehållet som är deklarerat

Särskilt farliga ämnen

Följande ämnen finns med på kandidatförteckningen i en koncentration och som överstiger 0,1 vikts-%:

-Bly

Utgåva av kandidatförteckningen som har använts

2019-01-15 00:00:00

Övrigt

Ämnen är redovisade ned till 0.1 viktprocent enligt iBVDs redovisningskrav. Eventuell avvikelse från redovisningskraven redovisas nedan.

Kompletterande information

Lead (CAS: 7439-92-1) is present

4 RÅVAROR

Återvunnet material

Innehåller varan återvunnet material: Nej

Träråvara

Träråvara ingår i varan: Nej

5 MILJÖPÅVERKAN

Finns en miljövarudeklaration framtagen enligt EN15804 eller ISO14025 för varan

Nej

Finns annan miljövarudeklaration

Nej

6 DISTRIBUTION

Beskrivning av emballagehantering för distribution av varan

Euro pallet and card board box

7 BYGGSCKEDET

Ställer varan särskilda krav vid lagring?

Ja

See manual attached

Ställer varan särskilda krav på omgivande byggvaror?

Vet ej

8 BRUKSSKEDET

Finns skötselanvisningar/skötselråd?

Ja

Finns en energimärkning enligt energimärkningsdirektivet (2010/30/EU) för varan?

Ej relevant

9

RIVNING

Kräver varan särskilda åtgärder för skydd av hälsa och miljö vid rivning/demontering? Nej

10

AVFALLSHANTERING

Omfattas den levererade varan av förordningen (2014:1075) om producentansvar för elektriska och elektroniska produkter när den blir avfall? Ej angivet

Är återanvändning möjlig för hela eller delar av varan? Nej

Är materialåtervinning möjlig för hela eller delar av varan? Ja

Metal recycling

Är energiåtervinning möjlig för hela eller delar av varan? Nej

Har leverantören restriktioner och rekommendationer för återanvändning, material- eller energiåtervinning eller deponering? Nej

När den levererade varan blir avfall, klassas den då som farligt avfall? Nej

Avfallskod (EWC) för den levererade varan Ej angivet

RSK-nummer	Eget Artikel-nr	GTIN
588 54 29	6084801	4048482857572
588 54 30	6084802	4048482857589
588 54 31	6084803	4048482857596
588 54 32	6084804	4048482858210
588 54 33	6084805	4048482858234
588 54 34	6084806	4048482858241
588 54 35	6084807	4048482858258
588 54 36	6084808	4048482858265
588 54 37	6084809	4048482858272
588 54 38	6084810	4048482858289
588 54 39	6084811	4048482858296
588 54 40	6084812	4048482858302

Produktdatablad

Prestandadeklaration

Säkerhetsblad

Miljövarudeklaration

Skötselansvisning

Övriga bifogade dokument

-om_wilo_padus_uni__6084248_01__1805_dina4_en.pdf

-om_wilo_rexa_uni__6082109_02__1801_dina4_en.pdf

Wilo-Padus UNI



en Installation and operating instructions



Table of contents

1	General information	5
1.1	About these instructions	5
1.2	Copyright	5
1.3	Subject to change	5
1.4	Warranty	5
2	Safety	5
2.1	Identification of safety instructions.....	5
2.2	Personnel qualifications.....	6
2.3	Electrical work	6
2.4	Monitoring devices	7
2.5	Use in fluids hazardous to health	7
2.6	Transport.....	7
2.7	Installing/dismantling.....	7
2.8	During operation	7
2.9	Maintenance tasks	8
2.10	Operating fluid	8
2.11	Operator responsibilities.....	8
3	Application/use	8
3.1	Intended use	8
3.2	Improper use.....	8
4	Product description	9
4.1	Design	9
4.2	Monitoring devices	10
4.3	Operating modes.....	10
4.4	Operation with frequency converter.....	10
4.5	Operation in an explosive atmosphere	10
4.6	Technical data	10
4.7	Type key	10
4.8	Scope of delivery.....	10
4.9	Accessories	10
5	Transportation and storage	11
5.1	Delivery.....	11
5.2	Transport.....	11
5.3	Storage	11
6	Installation and electrical connection	12
6.1	Personnel qualifications.....	12
6.2	Installation types.....	12
6.3	Operator responsibilities.....	12
6.4	Installation	12
6.5	Electrical connection	15
7	Commissioning.....	17
7.1	Personnel qualifications.....	17

7.2	Operator responsibilities.....	17
7.3	Direction of rotation check (for three-phase current motors only).....	17
7.4	Before switching on.....	17
7.5	Switching on and off.....	17
7.6	During operation.....	18
8	Decommissioning/dismantling.....	18
8.1	Personnel qualifications.....	18
8.2	Operator responsibilities.....	19
8.3	Decommissioning.....	19
8.4	Removal.....	19
9	Maintenance and repair.....	20
9.1	Personnel qualifications.....	21
9.2	Operator responsibilities.....	21
9.3	Operating fluid.....	21
9.4	Maintenance intervals.....	21
9.5	Maintenance measures.....	22
10	Faults, causes and remedies.....	23
11	Spare parts.....	25
12	Disposal.....	25
12.1	Oils and lubricants.....	25
12.2	Protective clothing.....	25
12.3	Information on the collection of used electrical and electronic products.....	25

1 General information

1.1 About these instructions

These installation and operating instructions are an integral part of the product. Read these instructions before commencing work and keep them in an accessible place at all times. Strict adherence to these instructions is a precondition for the intended use and correct operation of the product. All information and markings on the product must be observed.

The language of the original operating instructions is German. All other languages of these instructions are translations of the original operating instructions.

1.2 Copyright

These installation and operating instructions have been copyrighted by the manufacturer. Contents, of whatever type, which may not be reproduced or distributed, or used for purposes of competition and shared with others.

1.3 Subject to change

The manufacturer reserves the right to make technical modifications to the device or individual components. The illustrations used may differ from the original and are intended as an example representation of the device.

1.4 Warranty

The specifications in the current "General Terms and Conditions" apply to the warranty and the warranty period. These can be found at www.wilo.com/legal
Any deviations must be contractually agreed and shall then be given priority.

Claim to warranty

If the following points are complied with, the manufacturer is obligated to rectify every qualitative or constructive flaw:

- The defects are reported in writing to the manufacturer within the warranty period.
- Application according to intended use.
- All monitoring devices are connected and tested before commissioning.

Exclusion from liability

Exclusion from liability excludes all liability for personal injury, material damage or financial losses. This exclusion ensues as soon as one of the following applies:

- Inadequate configuration due to inadequate or incorrect instructions by the operator or the client
- Non-compliance with installation and operating instructions
- Improper use

- Incorrect storage or transport
- Incorrect installation or dismantling
- Insufficient maintenance
- Unauthorised repairs
- Inadequate construction site
- Chemical, electrical or electro-chemical influences
- Wear

2 Safety

This chapter contains basic information for the individual phases of the life cycle. Failure to observe this information carries the following risks:

- Injury to persons from electrical, mechanical and bacteriological factors as well as electromagnetic fields
- Environmental damage from discharge of hazardous substances
- Property damage
- Failure of important functions of the product

Failure to observe the information contained herein will result in the loss of claims for damages.

The instructions and safety instructions in the other chapters must also be observed!

2.1 Identification of safety instructions

These installation and operating instructions set out safety instructions for preventing personal injury and damage to property. These safety instructions are shown differently:

- Safety instructions relating to personal injury start with a signal word, are **preceded by a corresponding symbol** and are shaded in grey.



DANGER

Type and source of the danger!

Consequences of the danger and instructions for avoidance.

- Safety instructions relating to property damage start with a signal word and are displayed **without** a symbol.

CAUTION

Type and source of the danger!

Consequences or information.

Signal words

- **DANGER!**

Failure to observe the safety instructions will result in serious injuries or death!

▪ **WARNING!**

Failure to follow the instructions can lead to (serious) injuries!

▪ **CAUTION!**

Failure to follow the instructions can lead to property damage and a possible total loss.

▪ **NOTICE!**

Useful information on handling the product

Symbols

These instructions use the following symbols:

-  Danger of electric voltage
-  Danger of bacterial infection
-  Danger of explosion
-  General warning symbols
-  Warning of crushing
-  Warning of cutting injuries
-  Warning of hot surfaces
-  Warning of high pressure
-  Warning of suspended loads
-  Personal protective equipment: Wear a safety helmet
-  Personal protective equipment: Wear foot protection
-  Personal protective equipment: Wear hand protection
-  Personal protective equipment: Wear mouth protection
-  Personal protective equipment: Wear safety goggles
-  Autonomous work prohibited! A second person must be present.
-  Useful information

Markups

✓ Prerequisite

1. Work step/list

⇒ Notice/instructions

► Result

2.2 Personnel qualifications

Personnel must:

- Be instructed about locally applicable regulations governing accident prevention.
- Have read and understood the installation and operating instructions.

Personnel must have the following qualifications.

- Electrical work: A qualified electrician must carry out the electrical work.
- Installation/dismantling: The technician must be trained in the use of the necessary tools and fixation materials for the relevant construction site.
- Maintenance tasks: The technician must be familiar with the use of operating fluids and their disposal. In addition, the technician must have basic knowledge of mechanical engineering.

Definition of “qualified electrician”

A qualified electrician is a person with appropriate technical education, knowledge and experience who can identify **and** prevent electrical hazards.

2.3 Electrical work

- Electrical work must be carried out by a qualified electrician.
- Before commencing work, disconnect the product from the mains and safeguard it from being switched on again.
- Observe applicable local regulations when connecting to the mains power supply.
- Adhere to the requirements of the local energy supply company.
- Train personnel in connecting electrics.
- Instruct personnel in options for switching off the device.
- Comply with the technical specifications contained in these installation and operating instructions and on the rating plate.
- Earth the device.
- Observe regulations for connection to the electrical switching system.
- Comply with the specifications on electro-magnetic compatibility when using electronic start-up controllers (e.g. soft starter or frequency converter). If required, take into account special measures (e.g. shielded cables, filters etc.).
- Replace defective connection cables. Contact customer service.

2.4 Monitoring devices

The following monitoring devices must be provided on-site:

Circuit breaker

The size and switching characteristics of the circuit breakers must conform to the rated current of the connected product. Observe local regulations.

Motor protection switch

Make provision for an on-site motor protection switch for devices without a plug! The minimum requirement is a thermal relay/motor protection switch with temperature compensation, differential triggering and anti-reactivation device in accordance with the local regulations. In case of sensitive mains, make provision for the installation on-site of other protective equipment (e.g. over-voltage, undervoltage or phase failure relay, etc.).

Residual-current device (RCD)

Comply with the regulations of the local energy supply company! The use of a residual-current device is recommended.

If persons come into contact with the device and conductive fluids, secure the connection **with** a residual-current device (RCD).

2.5 Use in fluids hazardous to health

There is a danger of bacterial infection when using the device in fluids hazardous to health! Thoroughly clean and disinfect the device after dismantling and prior to further use. The operator must ensure the following:

- The following protective equipment is provided and worn when cleaning the device:
 - Closed safety goggles
 - Breathing mask
 - Protective gloves
- All persons are informed about the fluid, the associated danger and its correct handling!

2.6 Transport

- The following protective equipment must be worn:
 - Safety shoes
 - Safety helmet (when using lifting equipment)
- Always hold the handle to transport the device. Never pull the power supply cable!
- Only use legally specified and approved lifting gear.
- Select the lifting gear based on the existing conditions (weather, attachment point, load, etc.).
- Always attach the lifting gear to the attachment points (handle or lifting eyelet).

- The stability of the lifting equipment must be ensured during operation.
- When using lifting equipment, a second person must be present to coordinate the procedure if required (e.g. if the operator's field of vision is blocked).
- Persons are not permitted to stand beneath suspended loads. Do **not** carry suspended loads over workplaces where people are present.

2.7 Installing/dismantling

- Wear the following protective equipment:
 - Safety shoes
 - Safety gloves for protection against cuts
 - Safety helmet (when using lifting equipment)
- Locally applicable laws and regulations for work safety and accident prevention must be complied with.
- Disconnect the device from the mains and secure it against being switched on again without authorisation.
- All rotating parts must be at a standstill.
- Provide adequate aeration in closed rooms.
- When working in chambers and closed spaces, a second person must be present for safety reasons.
- Take immediate countermeasures if there is a build-up of toxic or suffocating gases!
- Clean the device thoroughly. Disinfect devices that are used in fluids hazardous to health!
- Make sure that there is no risk of explosion when carrying out any type of welding work or work with electrical devices.

2.8 During operation

- Wear the following protective equipment:
 - Safety shoes
 - Ear protection (in accordance with the notice of the work regulations)
- Work area of the device is not a recreational area. No persons are allowed in the work area during operation.
- The operator must immediately report any faults or irregularities to their line manager.
- If safety-endangering defects occur, the operator must immediately deactivate the device:
 - Malfunction of the safety and monitoring device
 - Damage to the housing parts
 - Damage to the electrical equipment
- Never reach into the suction port. The rotating parts can crush and sever limbs.
- If the motor emerges during operation, the motor housing can heat up to above 40 °C (104 °F).
- Open all gate valves in the piping on the suction and pressure side.

- Ensure minimum water submersion through dry-running protection.
- Under normal operating conditions, the sound pressure level of the device is below 85 dB(A). However, the actual sound-pressure level depends on several factors:
 - Installation depth
 - Installation
 - Fixation of accessories and pipe
 - Duty point
 - Immersion depth
- If the device is operated under normal operating conditions, the operator must measure the sound pressure. Ear protection must be worn for sound pressure levels of 85 dB(A) and above and this must be noted in the work regulations!

2.9 Maintenance tasks

- Wear the following protective equipment:
 - Closed safety goggles
 - Safety shoes
 - Safety gloves for protection against cuts
- Always carry out maintenance tasks outside the operating space/installation site.
- Only carry out maintenance tasks mentioned in these installation and operating instructions.
- Only original parts from the manufacturer may be used for maintenance and repairs. Use of parts other than the original parts releases the manufacturer from any liability.
- Collect any leakage of fluid and operating fluid immediately and dispose of it according to the locally applicable guidelines.
- Store tools at the designated locations.
- After completing work, reattach all safety and monitoring devices and check that they function properly.

Changing operating fluid

In case of a defect, a pressure **of several bar can build up** in the motor! This pressure escapes when the screw plugs are **opened**. If screw plugs are opened without due caution, they can be ejected at high speed! To avoid injuries, observe the following instructions:

- Adhere to the prescribed sequence of work steps.
- Unscrew the screw plugs slowly, but never unscrew them completely. As soon as the pressure escapes (audible whistling or hissing of air), stop turning the screw plug any further.

WARNING! Hot operating fluids can also spray out when the pressure is escaping. This can result in scalding! To avoid injuries, allow the motor to cool down to

the ambient temperature before carrying out any work!

- When the pressure has completely dissipated, fully unscrew the screw plug.

2.10 Operating fluid

In the sealing chamber, the motor is filled with white oil. Operating fluid must be replaced during regular maintenance work and disposed off according to the local guidelines.

2.11 Operator responsibilities

- Installation and operating instructions must be in a language which the personnel can understand.
- Make sure that the personnel is relevantly trained for the specified work.
- Provide the necessary protective equipment and make sure that the personnel wears it.
- Safety and information signs mounted on the device must be always legible.
- Train the personnel pertaining to the functioning of the system.
- Eliminate risk from electrical current.
- Equip hazardous components inside the system with an on-site guard.
- Identify and cordon off the work area.
- To ensure safe working practice, define the responsibilities of the employees.

Children and persons younger than 16 years or with reduced physical, sensory or mental capacities or limited experience are prohibited from handling the product! A technician must supervise persons younger than 18 years!

3 Application/use

3.1 Intended use

Submersible pumps are suitable for pumping:

- Sewage without faeces (in accordance with EN 12050-2)
- Wastewater (with small amounts of sand and gravel)

3.2 Improper use



DANGER

Explosion due to pumping of explosive fluids!

Pumping of highly flammable and explosive fluids (gasoline, kerosene, etc.) in pure form is strictly prohibited. There is a risk of fatal injury due to explosion! The pumps are not designed for these fluids.

**DANGER****Danger due to fluids hazardous to health!**

If the pump is used in fluids hazardous to health, decontaminate the pump after dismantling and before carrying out any other work! There is a risk of fatal injury! Observe the specifications in the work regulations! The operator must make sure that the personnel have received and read the work regulations!

The submersible pumps must **not be used** for pumping:

- Untreated sewage
- Sewage containing faeces (in accordance with EN 12050-1)
- Drinking water
- Fluids containing hard components (such as stones, wood, metal, etc.)
- Fluids containing large quantities of abrasive contents (e.g. sand, gavel)

Intended use also includes compliance with this manual. Any other use is regarded as non-compliant with the intended use.

4 Product description

4.1 Design

Submersible drainage pump as a submersible monobloc unit for intermittent operation for wet well installation.

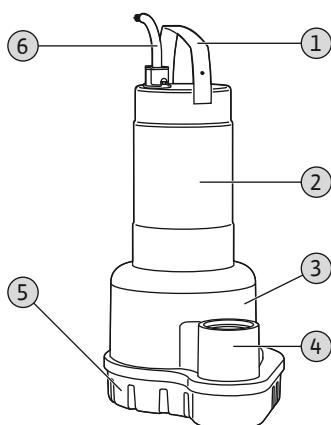


Fig. 1: Overview

1	Handle/attachment point
2	Motor housing
3	Hydraulics housing
4	Pressure port
5	Strainer
6	Connection cable

4.1.1 Hydraulics

Centrifugal hydraulics with open, multi-channel impeller and vertical threaded connection on the pressure side. The hydraulics are not self-priming, in other words, the fluid must flow in either automatically or with supply pressure.

4.1.2 Motor

The drive versions used are single-phase current and three-phase current surface-cooled motors. The motor is cooled by the fluid around it. The waste heat is transferred directly to the fluid via the motor housing. The motor may emerge during operation.

With single-phase current motors, the operating capacitor is integrated in the motor. The connection cable is available in the following versions:

- **Single-phase current version:**
 - With shockproof plug
 - With shockproof plug and fitted with a float switch
- **Three-phase current version:**
 - With bare cable end
 - With CEE plug and fitted with a float switch

4.1.3 Seal

The seal for the fluid and the motor compartment is made via two mechanical seals. The sealing chamber between the mechanical seals is filled with medical white oil.

4.1.4 Material

- Pump housing: PP-GF30
- Impeller: PP-GF30
- Motor housing: 1.4301 (AISI 304)
- Shaft: 1.4401 (AISI 316)
- Seal on the fluid side: SiC/SiC
- Seal on the motor side: C/Cr
- Seal, static: NBR (nitrile)

4.1.5 Fitted accessories

Float switch

In the “A” and “VA” version, the pump is equipped with a float switch. Depending on the fill level, it is possible to switch the pump on and off automatically using the float switch.

Plug

In the “P” and “A” version, a shockproof plug is attached for single-phase AC motors and a CEE plug is attached for three-phase current motors. The plug is designed for use in commercially available shock-proof or CEE sockets and is **not** overflow-proof.

4.2 Monitoring devices

Monitoring of motor winding

The thermal motor monitoring protects the motor winding from overheating. Temperature limiter with bimetallic strip is fitted as standard.

Thermal motor monitoring is self-switching for single-phase current motors, i.e. if the motor is switched off due to overheating and then cools down, it is automatically switched on again.

For three-phase current motors, the thermal motor monitoring must be connected in the switchgear or plug.

4.3 Operating modes

Operating mode S1: Continuous duty

The pump can operate continuously at the rated load without exceeding the permissible temperature.

Operating mode S2: Short-time duty

The maximum operating period is specified in minutes, e.g. S2-15. The pause must last until the machine temperature no longer differs from the temperature of the coolant by more than 2 K.

Operating mode S3: Intermittent periodic duty

This operating mode defines a switching cycle in a combination of periods of operation and standstill. Specified value (e.g. S3 25 %) relates to the operating time. The switching cycle has a duration of 10 min.

If two values (e.g. S3 25 %/120 s) are specified, the first value relates to the operating time. The second value specifies the max. period of the switching cycle.

4.4 Operation with frequency converter

Operation on the frequency converter is not permitted.

4.5 Operation in an explosive atmosphere

Operation in an explosive atmosphere is not permitted.

4.6 Technical data

General	
Mains connection [U/f]	See rating plate
Power consumption [P ₁]	See rating plate
Rated power [P ₂]	See rating plate
Max. delivery head [H]	See rating plate
Max. volume flow [Q]	See rating plate
Activation type [AT]	See rating plate
Fluid temperature [t]	3...40 °C
Protection class	IP68
Insulation class [Cl.]	F

Speed [n]	See rating plate
Max. switching frequency	30/h
Max. immersion depth [8]	See rating plate
Cable length (standard version)	10 m
Explosion protection	-

Operating modes

Immersed [OTs]	S1
Non-immersed [OTe]	S2-15, S3 10 %*

Pressure connection

UNI M05...	G2"
------------	-----

* Operating mode S3 25 % is permitted if the necessary motor cooling is guaranteed before the motor is switched on again! To ensure the required cooling, the motor must be completely immersed for at least 1 min.

4.7 Type key

Example: Wilo-Padus UNI M05/T15-540/A	
UNI	Series
M	Impeller shape = multi-channel impeller
05	Nominal diameter of pressure connection
T	Mains connection version: M = 1~, T = 3~
15	/10 = rated power P ₂ in kW
5	Mains connection frequency: 5 = 50 Hz, 6 = 60 Hz
40	Code for rated voltage
A	Additional electrical equipment: without = with bare cable end A = with float switch and plug VA = with vertical float switch and plug P = with plug

4.8 Scope of delivery

- Pump with 10 m (33 ft) cable
- Single-phase current version with
 - Shockproof plug
 - Float switch and shockproof plug
- Three-phase current version with
 - Bare cable end
 - Float switch and CEE plug
- Installation and operating instructions

4.9 Accessories

- Cable lengths in fixed length increments of 10 m (33 ft) up to max. 30 m (99 ft) in single-phase current version or max. 50 m (164 ft) in three-phase current version
- Suspension unit
- Level control devices

- Fixation accessories and chains
- Switchgear, relays and plugs

5 Transportation and storage

5.1 Delivery

After receiving the shipment, this must be checked immediately for defects (damage, completeness). Defects must be noted on the freight documentation! Furthermore, defects must be notified to the transport company or the manufacturer immediately on the day of receipt of shipment. Subsequently notified defects can no longer be asserted.

5.2 Transport



WARNING

Standing under suspended loads!

Never allow anyone to stand under suspended loads! Danger of (serious) injuries caused by falling parts. Loads may not be carried over work places where people are present!



WARNING

Head and foot injuries due to a lack of protective equipment!

Danger of (serious) injuries during work. Wear the following protective equipment:

- Safety shoes
- Safety helmet must be worn if lifting equipment are used!



NOTICE

Only use properly functioning lifting equipment!

Only use lifting equipment in a technically sound condition for lifting, lowering and transporting the pump. Ensure that the pump does not become jammed during lifting and lowering. Do **not** exceed the maximum permissible bearing capacity of the lifting equipment! Check that lifting equipment is functioning properly before use.

CAUTION

Soaked packaging may tear!

The product may fall on the ground if unprotected and may be damaged. Lift wet packaging carefully and replace it immediately!

Only remove the outer packaging at the place of utilisation to ensure that the pump is not damaged during transport. Use tear-proof plastic sacks of sufficient size to package used pumps for transport in a leak-proof manner.

The following points must also be observed:

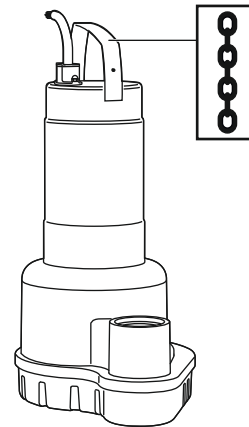


Fig. 2: Attachment point

- Adhere to the applicable national safety regulations.
- Use legally specified and approved lifting gear.
- Select the lifting gear based on the existing conditions (weather, attachment point, load, etc.).
- Only attach the lifting gear to the attachment point. Fix with a shackle.
- Use lifting equipment with sufficient bearing capacity.
- The stability of the lifting equipment must be ensured during operation.
- When using lifting equipment, a second person must be present to coordinate the procedure if required (e.g. if the operator's field of vision is blocked).

5.3 Storage



DANGER

Danger due to fluids hazardous to health!

If the pump is used in fluids hazardous to health, decontaminate the pump after dismantling and before carrying out any other work! There is a risk of fatal injury! Observe the specifications in the work regulations! The operator must make sure that the personnel have received and read the work regulations!



WARNING

Sharp edges on the impeller and suction port!

Sharp edges can form on the impeller and suction port. There is danger of limbs being severed! Protective gloves must be worn to protect from cuts.

CAUTION**Total damage due to moisture ingress**

Moisture ingress in the power supply cable damages the power supply cable and the pump! Never immerse the end of the power supply cable in a fluid and firmly seal it during storage.

Newly supplied pumps can be stored for one year. Contact customer service to store the pump for more than one year.

The following must be observed for storage:

- Place the pump upright (vertical) on a firm bearing surface and **secure it against slipping and falling over!**
- The max. storage temperature is -15 °C to $+60\text{ °C}$ (5 °F to 140 °F) at a max. relative humidity of 90 %, non-condensing. Frost-proof storage at a temperature of 5 °C to 25 °C (41 °F to 77 °F) with relative humidity of 40 % to 50 % is recommended.
- Do not store the pump in rooms in which welding work is carried out. The resulting gases or radiation can corrode the elastomer parts and coatings.
- Seal the suction and pressure connection tightly.
- Protect power supply cables against kinking and damage.
- Protect the pump from direct sunlight and heat. Extreme heat can cause damage to the impellers and the coating!
- Impellers must be turned by 180 ° at regular intervals (3 – 6 months). This prevents locking of the bearings and renews the lubrication film of the mechanical seal.

WARNING! There is a risk of injury due to sharp edges on the impeller and suction port!

- Elastomer parts and the coating are subject to natural brittleness. Contact customer service if the pump must be stored for more than 6 months.

After storage, remove any dust and oil from the pump and check the coating for damage. Repair damaged coatings before further use.

6 Installation and electrical connection

6.1 Personnel qualifications

- Electrical work: A qualified electrician must carry out the electrical work.
- Installation/dismantling: The technician must be trained in the use of the necessary tools and fixation materials for the relevant construction site.

6.2 Installation types

- Vertical portable wet well installation

The following installation types are **not** permitted:

- Vertical stationary wet well installation with suspension unit
- Vertical stationary dry well installation
- Horizontal installation

6.3 Operator responsibilities

- Observe the locally applicable accident prevention and safety regulations of trade associations.
- Observe all regulations for working with heavy loads and under suspended loads.
- Provide protective equipment and ensure that the protective equipment is worn by personnel.
- Observe local regulations on the latest technology for wastewater and sewage disposal (without faeces).
- Avoid pressure surges!
Pressure surges can occur in long pressure pipes with steep terrain. These pressure surges can lead to the destruction of the pump!
- Ensure the cooling time of the motor depending on the operating conditions and the size of the pump chamber.
- Structural components and foundations must be of sufficient stability in order to allow the device to be fixed in a secure and functional manner. The operator is responsible for the provision and suitability of the building/foundation!
- Check that the available consulting documents (installation plans, design of the operating space, inflow conditions) are complete and correct.

6.4 Installation

**DANGER****Risk of fatal injury due to dangerous lone working practices!**

Work in chambers and narrow rooms as well as work involving risk of falling are dangerous work. Such work may not be carried out autonomously! A second person must be present for safety reasons.

**WARNING****Hand and foot injuries due to lack of protective equipment!**

Danger of (serious) injuries during work. Wear the following protective equipment:

- Safety gloves for protection against cuts
- Safety shoes
- Safety helmet must be worn if lifting equipment are used!



**NOTICE****Only use properly functioning lifting equipment!**

Only use lifting equipment in a technically sound condition for lifting, lowering and transporting the pump. Ensure that the pump does not become jammed during lifting and lowering. Do **not** exceed the maximum permissible bearing capacity of the lifting equipment! Check that lifting equipment is functioning properly before use.

**NOTICE****Emerging of the motor during operation**

If the motor emerges during operation, the specifications for "Operating mode non-immersed" must be complied with!

To ensure that the motor is cooled during continuous duty, the motor must be immersed completely before switching it on again!

- Prepare operating space/installation location as follows:
 - Clean, free of coarse solids
 - Dry well
 - Frost-free
 - Decontaminated
- Take immediate countermeasures if there is a build-up of toxic or suffocating gases!
- Use the handle for lifting, lowering and transporting the pump. Never carry or drag the pump by the power supply cable!
- It must be possible to attach lifting equipment safely. The storage place and the operating space/installation site must be accessible with the lifting equipment. The set-down location must have a solid bearing surface.
- Attach the lifting gear to the handle using a shackle. Only use lifting gear which has been technically approved.
- The routed power supply cables must allow safe operation. Check whether the cable cross-section and the cable length are sufficient for the selected installation type.
- The corresponding IP class must be observed when using switchgear. Install the switchgear overflow-proof and outside potentially explosive areas!
- Avoid air intake into the fluid, use baffles or deflector plates for the inlet. Air which has entered the system can collect in the pipe system and lead to impermissible operating conditions. Air pockets must be removed via ventilation systems!

- A dry run of the pump is prohibited! Avoid air pockets in the hydraulics housing or in the pipe system. Ensure the water level never falls below the minimum. The installation of a dry-running protection is recommended!

6.4.1 Maintenance tasks

After a storage period of more than 6 months, check the oil in the sealing chamber prior to installation:

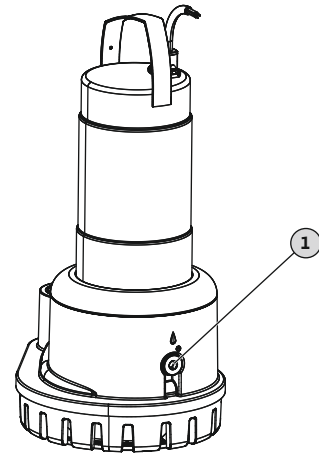


Fig. 3: Check the oil

1	Screw plug sealing chamber
---	----------------------------

- ✓ Pump is **not** installed.
 - ✓ Pump is **not** connected to the mains.
 - ✓ Protective equipment has been put on!
1. Place the pump horizontally on a firm surface. The screw plug points upwards. **WARNING! Risk of hands being crushed. Ensure that the pump cannot fall over or slip away!**
 2. Unscrew the screw plug.
 3. Place a suitable tank to collect the operating fluid.
 4. Drain the operating fluid: Rotate the pump until the opening points downwards.
 5. Check the operating fluid:
 - ⇒ If the operating fluid is clear, reuse operating fluid.
 - ⇒ If the operating fluid is contaminated (black), fill with new operating fluid. Dispose of operating fluid in accordance with the local regulations!
 - ⇒ Notify customer service if an operating fluid contains metal chips!
 6. Pour in operating fluid: Rotate the pump until the opening points upwards. Fill-in the operating fluid into the opening.
 - ⇒ Comply with the specifications for operating fluid locations and quantity! When recycling the operating fluid, check the quantity and if required adjust it!

7. Clean the screw plug, replace the seal ring and screw it back in. **Max. tightening torque: 8 Nm (5.9 ft lb)!**

6.4.2 Portable wet well installation



WARNING

Risk of burns from hot surfaces!

Motor housing can become hot during operation. It may cause burns. Allow the pump to cool down at ambient temperature after switching it off!



WARNING

Separation of pressure hose!

Separation or movement of the pressure hose can lead to (serious) injuries. Securely attach the pressure hose to the outlet! Prevent buckling of the pressure hose.



NOTICE

Delivery problems due to water level being too low

The hydraulics are self-venting. As a result, smaller air cushions are dissolved during the pumping process. If the level of the fluid is lowered too much, the volume flow can be interrupted. The minimum permissible water level must reach the upper edge of the hydraulics housing!

For portable installation, the pump is equipped with a strainer. The strainer filters coarse solids out of the fluid and enables secure standing if placed on a solid load bearing surface. This allows the pump to be installed anywhere in the operating space/installation location. To prevent sinking in, a hard base must be used at the installation location in case of soft load bearing surfaces. A pressure hose or pipework is connected on the pressure side.

CAUTION! If the motor emerges during operation, observe the operating mode for non-immersed operation (S2-15, S3 10 %*!)

* Operating mode S3 25 % is permitted if the necessary motor cooling is guaranteed before the motor is switched on again! To ensure the required cooling, the motor must be completely immersed for at least 1 min.

Work steps

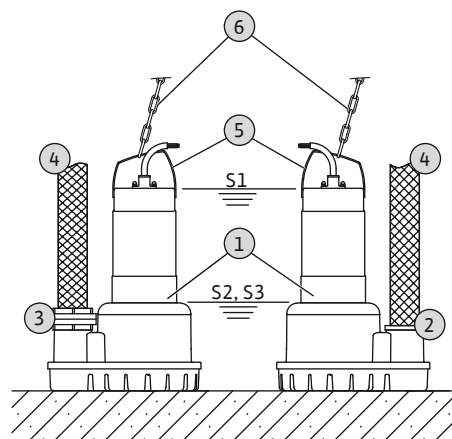


Fig. 4: Wet well installation, portable

1	Pump with integrated pump support foot
2	Hose connection
3	Storz pipe coupling and Storz hose coupling (available as accessories)
4	Pressure hose or pressure pipe
5	Attachment point
6	Lifting equipment

- ✓ Pressure connection prepared: Hose connection or Storz coupling fitted.
- 1. Use a shackle to attach the hoisting gear to the attachment point of the pump.
- 2. Lift and align the pump at the installation location.
- 3. Place the pump on a solid load bearing surface. **CAUTION! Prevent the pump sinking in!**
- 4. Lay the pressure hose and fasten it to a certain point (e.g. drainage). **DANGER! Separation or movement of the pressure hose can lead to (serious) injuries! Secure the pressure hose at the outlet.**
- 5. Lay the connection cable properly. **CAUTION! Do not damage the connection cable!**
- ▶ The pump is installed, the qualified electrician can make the electrical connection.

6.4.3 Level control

With a level control device, the current fill levels are determined and the pump is switched on and off automatically depending on the fill levels. Fill levels are recorded by using different sensor types (float switches, pressure and ultrasound measurements or electrodes). The following must be observed when using a level control device:

- Float switches can move freely!
- The water level must **not fall below** the minimum permissible!
- The maximum switching frequency **must not be exceeded!**
- If the fill levels fluctuate strongly, a level control with two measuring points is recommended. This makes it possible to achieve larger differential gaps.

Use of the attached float switch

The “A” and “VA” versions are equipped with a float switch. The pump is switched on and off depending on the fill level. The switching level is defined as follows:

- “A” version with float switch: by the cable length
- “VA” version with vertical float switch: by the position of the floater on the guide pin (factory setting)

Use of on-site level controls

When using an on-site level control device, refer to the manufacturer’s own installation and operating instructions for specifications on the installation.

6.4.4 Dry-running protection

Dry-running protection must prevent the pump from operating without fluid and air from entering the hydraulics. The minimum permissible fill level must be determined with the help of a signal transmitter. Once the specified limit value is reached, the pump must be deactivated with an appropriate signal. Dry-running protection can expand the available level controls by an additional measuring point or function as an independent switch-off device. Depending on the system security, the pump can be restarted automatically or manually. Installation of dry-running protection is recommended for optimum operational reliability.

6.5 Electrical connection



DANGER

Risk of death due to electrocution!

Improper conduct when carrying out electrical work can lead to death due to electric shock! Electrical work must be carried out by a qualified electrician in accordance with the locally applicable regulations.

- The mains connection must match the specifications on the rating plate.
- Power supply on mains side for three-phase current motors with clockwise rotating field.

- Lay the connection cable in accordance with the locally applicable regulations and connect it according to the wire assignment.
- Connect the monitoring devices and check their function.
- Earth the device properly in accordance with applicable local regulations.

6.5.1 Fuse on mains side

Circuit breaker

The size and switching characteristics of the circuit breakers must conform to the rated current of the connected product. Observe local regulations.

Motor protection switch

Make provision for an on-site motor protection switch for devices without a plug! The minimum requirement is a thermal relay/motor protection switch with temperature compensation, differential triggering and anti-reactivation device in accordance with the local regulations. In case of sensitive mains, make provision for the installation on-site of other protective equipment (e.g. overvoltage, undervoltage or phase failure relay, etc.).

Residual-current device (RCD)

Comply with the regulations of the local energy supply company! The use of a residual-current device is recommended.

If persons come into contact with the device and conductive fluids, secure the connection **with** a residual-current device (RCD).

6.5.2 Maintenance tasks

Carry out the following maintenance tasks prior to installation:

- Check the insulation resistance of the motor winding.
- Test the resistor of the temperature sensor.

If the measured values differ from the specifications, moisture may have penetrated into the motor or the power supply cable or the monitoring device is defective. Contact customer service in the event of a fault.

6.5.2.1 Checking the insulation resistance of the motor winding

Use an insulation tester to measure the insulation resistance (measuring voltage = 1000 V). Observe the following values:

- At the time of initial commissioning: Insulation resistance may not be less than 20 MΩ.
- For further measurements: Value must be greater than 2 MΩ.

NOTICE! For motors with an integrated capacitor, short-circuit the windings prior to checking!

6.5.2.2 Test the resistor of the temperature sensor

Measure the resistor of the temperature sensors with an ohmmeter. The bimetallic strips must have a measured value of 0 Ohm (passage).

6.5.3 Connection of the single-phase current motor

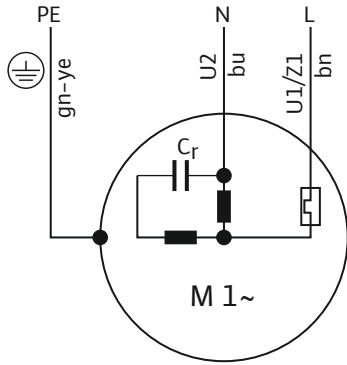


Fig. 5: Connection diagram single-phase current motor

Wire colour	Terminal
Brown (bn)	L
Blue (bu)	N
Green/yellow (gn-ye)	Earth

The single-phase current version is equipped with a shockproof plug. The connection to the mains is established by inserting the plug into a socket. The plug is **not** overflow-proof. **Install the socket so that it is overflow-proof!** Observe the information on the protection class (IP) of the plug.

DANGER! If the pump is connected directly to the switchgear, dismantle the plug and arrange for the electrical connection to be carried out by a qualified electrician!

6.5.4 Three-phase current motor connection

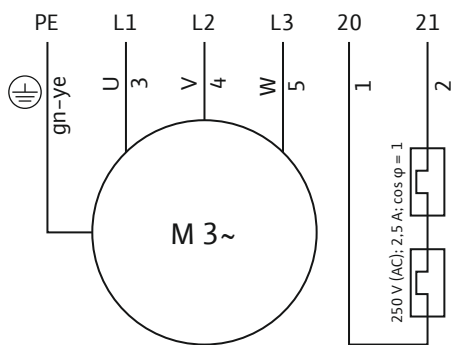


Fig. 6: Connection diagram three-phase current motor

Wire number	Designation	Terminal
1	20	WSK
2	21	WSK
3	U	L1
4	V	L2
5	W	L3
Green/yellow (gn-ye)	Earth	PE

For three-phase current motors, a clockwise rotating field must be available. The three-phase current version is equipped with a CEE plug or with a bare cable end:

- If a CEE plug is supplied, connection to the mains is established by inserting the plug into a socket. The plug is **not** overflow-proof. **Install the socket so that it is overflow-proof!** Observe the information on the protection class (IP) of the plug.
- If there is a bare cable-end, the pump must be connected directly to the switchgear. **DANGER!** If the pump is connected directly to the switchgear, arrange for the electrical connection to be carried out by a qualified electrician!

6.5.5 Monitoring device connection

All monitoring device must be connected!

6.5.5.1 Monitoring of motor winding

Single-phase current motor

Thermal motor monitoring is self-switching for single-phase current motors. The monitoring function is always active and does not need to be connected separately.

Three-phase current motor with bimetallic strip

Bimetallic strips are connected in the switchgear itself or via an evaluation relay.

Connection values: max. 250 V(AC), 2.5 A, cos φ = 1

When the threshold is reached, deactivation must take place.

In the version with an attached plug, the thermal motor monitoring is pre-wired and set to the correct value in the plug.

6.5.6 Motor protection adjustment

Motor protection must be set depending on the selected activation type.

6.5.6.1 Direct activation

At full load, set the motor protection switch to the rated current (see rating plate). At partial load, it is recommended to set the motor protection switch 5 % above the current measured at the duty point.

6.5.7 Operation with frequency converter

Operation on the frequency converter is not permitted.

7 Commissioning



WARNING

Foot injuries due to a lack of protective equipment!

Danger of (serious) injuries during work. Wear safety shoes!

7.1 Personnel qualifications

- Electrical work: A qualified electrician must carry out the electrical work.
- Operation/control: Operating personnel must be instructed in the functioning of the complete system.

7.2 Operator responsibilities

- Providing installation and operating instructions by the pump or at a place specially reserved for it.
- Making the installation and operating instructions available in the language of the personnel.
- Making sure that the installation and operating instructions are read and understood by all personnel.
- All safety devices and emergency cut-outs on the system-side must be active and checked to ensure that they work properly.
- The pump is suitable for use under the specified operating conditions.

7.3 Direction of rotation check (for three-phase current motors only)

The pump is factory-checked and adjusted to the correct direction of rotation for a clockwise rotating field. Connection is made in accordance with the specifications in chapter "Electrical connection".

Direction of rotation check

A qualified electrician checks the rotating field at the mains connection with a rotating field-test device. For the correct direction of rotation, a clockwise rotating field must be available at the mains connection. The pump is **not** approved for operation with a counter-clockwise rotating field! **CAUTION! If the direction of rotation is checked with a test run, comply with the ambient and operating conditions!**

Incorrect direction of rotation

If the direction of rotation is incorrect, exchange the two phases at the mains connection.

7.4 Before switching on

Check the following prior to activation:

- Check whether the device has been installed properly and in accordance with the locally applicable regulations:
 - Has the pump been earthed?
 - Layout of power supply cable tested?
 - Electrical connection made properly?
 - Mechanical components attached correctly?
- Check level control:
 - Float switches can move freely?
 - Switching level tested (pump on, pump off, minimum water level)?
 - Additional dry-running protection installed?
- Test operating conditions:
 - Min./max. temperature of the fluid tested?
 - Max. immersion depth tested?
 - Operating mode defined depending on the minimum water level?
 - Maximum switching frequency adhered to?
- Check installation location/operating space:
 - Pipe system on the pressure side free of deposits?
 - Inlet or pump sump cleaned or free of deposits?
 - All gate valves open?
 - Minimum water level defined and monitored?

The hydraulics housing must be filled completely with the fluid and there must be no air cushions in the hydraulics. **NOTICE! Provide suitable venting devices if there is a risk of air cushions being formed in the system!**

7.5 Switching on and off

During the start process, the rated current is temporarily exceeded. During operation, the rated current may no longer be exceeded. **CAUTION! If the pump does not start, switch off the pump immediately. Remove the fault before reactivating the pump!**

Place pumps which are installed as portable pumps on a firm surface so they are level. If pumps have fallen over, place them upright again before activating them. Securely attach the pump with screws in case of difficult surfaces.

Pump with attached float switch and plug

- Single-phase current version: After inserting the plug into the socket, the pump is ready for operation. The pump is switched on and off automatically depending on the fill level.
- Three-phase current version: After inserting the plug into the socket, the pump is ready for operation. The pump is controlled via two switches on the plug:

- MANUAL/AUTO: Determines if the pump is switched on and off directly (MANUAL) or depending on the fill level (AUTO).
- ON/OFF: Switch pump on and off.

Pump with vertical float switch

After inserting the plug into the socket, the pump is ready for operation. The pump is switched on/off depending on the selected operating mode of the float switch:

- “AUTO” operating mode: The pump switches on and off depending on the fill level.
- “MANUEL” operating mode: The pump switches on immediately after the plug has been inserted into the socket.

NOTICE! Set the operating mode at the switch. The switch is located above the upper float switch.

Pump with attached plug

- Single-phase current version: After inserting the plug into the socket, the pump is switched on.
- Three-phase current version: After inserting the plug into the socket, the pump is ready for operation. The pump is switched on and off with the ON/OFF switch.

Pumps with bare cable end

The pump must be switched on and off using a separate operating point (on/off switch, switchgear) provided by the customer.

7.6 During operation



WARNING

Amputation of limbs due to rotating components!

No persons must be present in the work area of the pump! There is risk of (serious) injuries due to rotating components! No persons must be present in the work area of the pump during start-up or operation.



WARNING

Risk of burns from hot surfaces!

Motor housing can become hot during operation. It may cause burns. Allow the pump to cool down at ambient temperature after switching it off!



NOTICE

Delivery problems due to water level being too low

The hydraulics are self-venting. As a result, smaller air cushions are dissolved during the pumping process. If the level of the fluid is lowered too much, the volume flow can be interrupted. The minimum permissible water level must reach the upper edge of the hydraulics housing!

When operating the pump, observe the locally applicable regulations on the following topics:

- Work safety
- Accident prevention
- Handling electrical machines

Strictly adhere to the responsibilities of the personnel specified by the operator. All personnel are responsible for ensuring that the responsibilities of the personnel and the regulations are observed!

Due to their design, centrifugal pumps have rotating parts that are easily accessible. Depending on the operating condition, sharp edges can develop on these parts.

WARNING! This can lead to cuts and limbs may be severed! Check the following at regular intervals:

- Operating voltage (+/- 10 % of the rated voltage)
- Frequency (+/- 2 % of the rated frequency)
- Power consumption between individual phases (max. 5 %)
- Voltage difference between the individual phases (max. 1 %)
- Max. switching frequency
- Minimum water submersion depending on the operating mode
- Inlet: no air intake
- Level control device/dry-running protection: Switching points
- Quiet/low-vibration running
- All gate valves open

8 Decommissioning/dismantling

8.1 Personnel qualifications

- Operation/control: Operating personnel must be instructed in the functioning of the complete system.
- Electrical work: A qualified electrician must carry out the electrical work.
- Installation/dismantling: The technician must be trained in the use of the necessary tools and fixation materials for the relevant construction site.

8.2 Operator responsibilities

- Locally applicable accident prevention and safety regulations of trade associations.
- Observe regulations for working with heavy loads and under suspended loads.
- Provide the necessary protective equipment and make sure that the personnel wears it.
- Provide adequate aeration in closed rooms.
- Take immediate countermeasures if there is a build-up of toxic or suffocating gases!

8.3 Decommissioning

The pump is deactivated during decommissioning, but remains installed. This ensures that the pump is always ready for operation.

- ✓ To protect the pump from frost and ice, always immerse the pump completely in the fluid.
- ✓ The temperature of the fluid must always be above +3 °C (+37 °F).
 1. Switch off the pump at the operating point.
 2. Secure the operating point against being switched on again by unauthorised persons (e.g. lock main switch).

- ▶ The pump is out of operation and can now be dismantled.

If the pump remains installed after decommissioning, observe the following:

- Ensure that the prerequisites for decommissioning are maintained for the complete period of decommissioning. If these prerequisites cannot be guaranteed, dismantle the pump after decommissioning!
- For an extended period of decommissioning, carry out a 5-minute function test at regular intervals (monthly to quarterly). **CAUTION! A function test may only be carried out under the applicable operating conditions. A dry run is not permitted! Non-compliance can result in irreparable damage!**

8.4 Removal



DANGER

Danger due to fluids hazardous to health!

If the pump is used in fluids hazardous to health, decontaminate the pump after dismantling and before carrying out any other work! There is a risk of fatal injury! Observe the specifications in the work regulations! The operator must make sure that the personnel have received and read the work regulations!



DANGER

Risk of death due to electrocution!

Improper conduct when carrying out electrical work can lead to death due to electric shock! Electrical work must be carried out by a qualified electrician in accordance with the locally applicable regulations.



DANGER

Risk of fatal injury due to dangerous lone working practices!

Work in chambers and narrow rooms as well as work involving risk of falling are dangerous work. Such work may not be carried out autonomously! A second person must be present for safety reasons.



WARNING

Risk of burns from hot surfaces!

Motor housing can become hot during operation. It may cause burns. Allow the pump to cool down at ambient temperature after switching it off!



NOTICE

Only use properly functioning lifting equipment!

Only use lifting equipment in a technically sound condition for lifting, lowering and transporting the pump. Ensure that the pump does not become jammed during lifting and lowering. Do **not** exceed the maximum permissible bearing capacity of the lifting equipment! Check that lifting equipment is functioning properly before use.

8.4.1 Portable wet well installation

- ✓ Pump is taken out of operation.
 1. Disconnect the pump from the mains.
 2. Roll up the power supply cable and place it over the motor housing. **CAUTION! Never pull on the power supply cable! This damages the power supply cable!**
 3. Loosen the pressure pipe from the pressure port.
 4. Attach the lifting equipment to the attachment point.
 5. Lift the pump from the operating space. **CAUTION! The power supply cable may be squeezed and damaged when setting the pump down! Pay attention to the power supply cable when setting the pump down!**

6. Clean the pump thoroughly (see point “Cleaning and disinfecting”). **DANGER! Disinfect the pump when used in fluids hazardous to health!**

8.4.2 Clean and disinfect



DANGER

Danger due to fluids hazardous to health!

Danger to life if the pump is used in fluids hazardous to health! Decontaminate the pump before carrying out any further work! Wear the following protective equipment while performing cleaning tasks:

- Closed safety goggles
- Breathing mask
- Protective gloves

⇒ **The equipment listed here is the minimum requirement, observe the specifications of the work regulations! The operator must make sure that the personnel have received and read the work regulations!**



- ✓ Pump is dismantled.
 - ✓ Contaminated cleaning water is disposed of in the sewer in accordance with the locally applicable regulations.
 - ✓ A disinfectant is provided for contaminated pumps.
1. Attach the lifting equipment to the attachment point of the pump.
 2. Lift the pump approximately 30 cm (10 in) above the ground.
 3. Spray the pump with clear water from top to bottom.
NOTICE! An appropriate disinfectant must be used for contaminated pumps! Strictly observe the manufacturer's specifications concerning use!
 4. To clean the impeller and the pump interior, guide the water jet inside via the pressure port.
 5. Flush all dirt residue onto the floor of the channel.
 6. Allow the pump to dry out.
In order to completely drain the pump housing, lie it down on its side for approx. 5 minutes. Place the pressure port face down.

8.4.2.1 Cleaning the strainer

The strainer can be removed for cleaning.

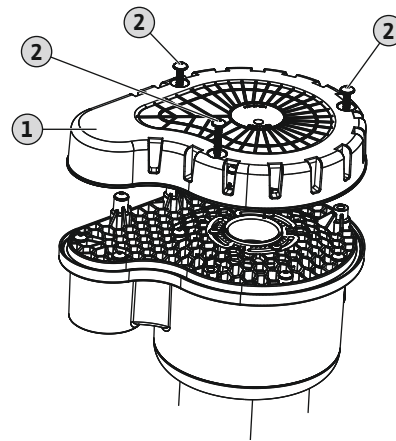


Fig. 7: Remove the baseplate

1	Strainer
2	Fastening screws, size 4 Allen key

1. Place the pump on a firm surface in a horizontal position.
WARNING! Risk of hands being crushed. Make sure that the pump does not fall over or slip.
 2. Remove the fastening screws at the strainer.
 3. Take out the strainer.
 4. Rinse the strainer and baseplate of the hydraulics with clear water and remove solids manually.
 5. Put the strainer in place.
 6. Screw in the fastening screws. **Max. tightening torque: 5.5 Nm (4 ft-lb)!**
- Strainer cleaned and fitted, complete the cleaning work.

9 Maintenance and repair



DANGER

Danger due to fluids hazardous to health!

If the pump is used in fluids hazardous to health, decontaminate the pump after dismantling and before carrying out any other work! There is a risk of fatal injury! Observe the specifications in the work regulations! The operator must make sure that the personnel have received and read the work regulations!



NOTICE

Only use properly functioning lifting equipment!

Only use lifting equipment in a technically sound condition for lifting, lowering and transporting the pump. Ensure that the pump does not become jammed during lifting and lowering. Do **not** exceed the maximum permissible bearing capacity of the lifting equipment! Check that lifting equipment is functioning properly before use.

- Always carry out maintenance tasks in a clean location with good lighting. It must be possible to position the pump safely and secure it.
- Only carry out maintenance tasks mentioned in these installation and operating instructions.
- Wear the following protective equipment while performing maintenance tasks:
 - Safety goggles
 - Safety shoes
 - Safety gloves

9.1 Personnel qualifications

- Electrical work: A qualified electrician must carry out the electrical work.
- Maintenance tasks: The technician must be familiar with the use of operating fluids and their disposal. In addition, the technician must have basic knowledge of mechanical engineering.

9.2 Operator responsibilities

- Provide the necessary protective equipment and make sure that the personnel wears it.
- Collect operating fluids in suitable tanks and dispose of properly.
- Dispose of protective clothing used in accordance with regulations.
- Use only original parts of the manufacturer. Use of parts other than the original parts releases the manufacturer from any liability.
- Collect any leakage of fluid and operating fluid immediately and dispose of it according to the locally applicable guidelines.
- Provide the tools required.
- If flammable solvents and cleaning agents are used, open flames, naked lights and smoking are prohibited.

9.3 Operating fluid

9.3.1 Oil types

Biological white oil is filled-in into the sealing chamber. The following oil types are recommended when changing the oil:

- Aral Autin PL*
- Shell ONDINA 919
- Esso MARCOL 52* or 82*
- BP WHITEMORE WOM 14*
- Texaco Pharmaceutical 30* or 40*

All oil types marked with “*” are approved for use with foods in accordance with “USDA-H1”.

9.3.2 Filling quantities

The filling quantity is 1200 ml (40 US.fl.oz).

9.4 Maintenance intervals

To ensure reliable operation, maintenance tasks must be carried out regularly. Depending on the real ambient temperatures, maintenance intervals different from those mentioned in the contract can be defined! If strong vibrations occur during operation, the pump and the installation must be checked regardless of the defined maintenance intervals.

9.4.1 Maintenance intervals for normal conditions

5 years or 1500 operating hours

- Visual inspection of the power supply cable
- Visual inspection of accessories
- Visual inspection of the housing for wear
- Function test of monitoring devices
- Oil change
- Adjusting the impeller clearance

9.4.2 Maintenance intervals for harsh conditions

Under harsh operating conditions, specified maintenance intervals must be shortened if required. Harsh operating conditions include:

- Fluids with long-fibre components
- Turbulent inlet (e.g. due to air intake, cavitation)
- Strongly corroding or abrasive fluids
- Heavily gas generating fluids
- Operation at an unfavourable duty point
- Pressure surges

When using pumps under hard conditions, it is recommended to sign a maintenance contract. Contact customer service.

9.5 Maintenance measures



WARNING

Sharp edges on the impeller and suction port!

Sharp edges can form on the impeller and suction port. There is danger of limbs being severed! Protective gloves must be worn to protect from cuts.



WARNING

Hand, foot or eye injuries due to the absence of protective equipment!

Danger of (serious) injuries during work. Wear the following protective equipment:

- Safety gloves for protection against cuts
- Safety shoes
- Closed safety goggles

The following pre-requisites must be fulfilled prior to starting maintenance measures:

- Pump cooled down to the ambient temperature.
- Pump cleaned thoroughly and disinfected (if required).

9.5.1 Visual inspection of the connection cable

Check connection cable for:

- Bubbles
- Cracks
- Scratches
- Abrasion
- Pinch points

If damage is identified on the connection cable, decommission the pump immediately! Have the connection cable replaced by Wilo customer service. Only operate the pump up again once the damage has been properly remedied!

CAUTION! Water may penetrate into the pump due to the damaged connection cable! Water ingress leads to total failure of the pump.

9.5.2 Visual inspection of accessories

Accessories must be checked for:

- Correct fixation
- Smooth function
- Wear symptoms

Any defects detected must be repaired immediately or the accessories must be replaced.

9.5.3 Visual inspection of the housing for wear

The housing parts are not allowed to have any apparent damage. Contact customer service if defects are detected!

9.5.4 Function test of the monitoring device

To test resistances, the pump must be cooled down to the ambient temperature!

9.5.4.1 Test the resistor of the temperature sensor

Measure the resistor of the temperature sensors with an ohmmeter. The bimetallic strips must have a measured value of 0 Ohm (passage).

9.5.5 Oil change in sealing chamber



WARNING

Operating fluid under high pressure!

A pressure of **several bar can build up** in the motor! This pressure escapes when the screw plugs are **opened**. If screw plugs are opened without due caution, they can be ejected at high speed! To avoid injuries, observe the following instructions:

- Adhere to the prescribed sequence of work steps.
- Unscrew the screw plugs slowly, but never unscrew them completely. As soon as the pressure escapes (audible whistling or hissing of air), stop turning the screw plug any further!
- When the pressure has completely dissipated, fully unscrew the screw plugs.
- Wear closed safety goggles.



WARNING

Scalding from hot operating fluids!

Hot operating fluids can also spray out when pressure is released. This can result in scalding! To avoid injuries, the following instructions must be observed:

- Allow the motor to cool down to the ambient temperature before opening the screw plugs.
- Wear closed safety goggles or face protection and gloves.

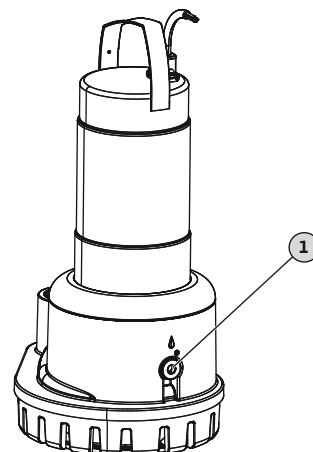


Fig. 8: Sealing chamber: Oil change

1 Screw plug sealing chamber

- ✓ Protective equipment has been put on!
 - ✓ Pump has been dismantled and cleaned (decontaminated if required).
1. Position the pump horizontally on a firm surface. The screw plug points upwards. **WARNING! Risk of hands being crushed. Ensure that the pump cannot fall over or slip away!**
 2. Unscrew the screw plug slowly, but do not unscrew it completely. **WARNING! Overpressure in the motor! Stop turning the screw plug further if hissing or whistling is audible! Wait until the pressure has completely dissipated.**
 3. After the pressure has dissipated, fully unscrew the screw plug.
 4. Place a suitable tank to collect the operating fluid.
 5. Drain the operating fluid: Rotate the pump until the opening points downwards.
 6. Check the operating fluid: Notify customer service if an operating fluid contains metal chips!
 7. Pour in operating fluid: Rotate the pump until the opening points upwards. Fill-in the operating fluid into the opening.
 - ⇒ Comply with the specifications for operating fluid locations and quantity!
 8. Clean the screw plug, replace the seal ring and screw it back in. **Max. tightening torque: 8 Nm (5.9 ft lb)!**

9.5.6 Adjusting the impeller clearance

When pumping wastewater and sewage, wear can occur at the impeller. This lowers the pump's output. The clearance between the impeller and suction port can be adjusted to compensate for impeller wear.

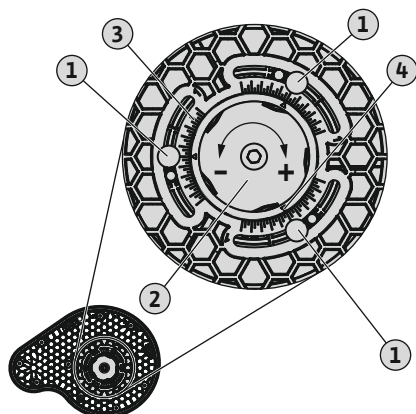


Fig. 9: Adjusting the impeller clearance (strainer removed)

1	Safety screws for fixing the clearance adjustment
2	Clearance adjustment
3	Dial
4	Pointer (▲)
+	Increase clearance
-	Decrease clearance

- ✓ Strainer removed. See "Cleaning the strainer [► 20]"
 - ✓ Baseplate cleaned. The dial and pointer are discernible.
1. Loosen the safety screws until the clearance adjustment can be turned. **NOTICE! Do not completely unscrew the screws!**
 2. Turn the clearance adjustment anti-clockwise (-) until the counterplate rests against the impeller.
 3. Increase the clearance by 3 division marks: Turn the clearance adjustment clockwise (+). Observe the pointer when setting.
 4. Tighten the safety screws. **Max. tightening torque: 4 Nm (3 ft-lb)!**
- Impeller clearance corrected. Refit the strainer.

10 Faults, causes and remedies



DANGER

Danger due to fluids hazardous to health!

Danger of death in case of pumps with fluids hazardous to health! Wear the following protective equipment while performing the work:

- Closed safety goggles
- Breathing mask
- Protective gloves

⇒ **The equipment listed here is the minimum requirement, observe the specifications of the work regulations! The operator must make sure that the personnel have received and read the work regulations!**



DANGER

Risk of death due to electrocution!

Improper conduct when carrying out electrical work can lead to death due to electric shock! Electrical work must be carried out by a qualified electrician in accordance with the locally applicable regulations.

**DANGER****Risk of fatal injury due to dangerous lone working practices!**

Work in chambers and narrow rooms as well as work involving risk of falling are dangerous work. Such work may not be carried out autonomously! A second person must be present for safety reasons.

**WARNING****No persons are allowed to be present inside the working area of the pump!**

Persons may suffer (serious) injuries while the pump is in operation! No persons may therefore be present inside the working area. If persons must enter the working area of the pump, the pump must be decommissioned and secured against being switched on again without authorisation.

**WARNING****Sharp edges on the impeller and suction port!**

Sharp edges can form on the impeller and suction port. There is danger of limbs being severed! Protective gloves must be worn to protect from cuts.

Fault: Pump does not start

1. Electricity supply interrupted or short-circuit/earth fault in the cable or motor winding.
 - ⇒ Have the connection and motor checked by a qualified electrician and replace if necessary.
2. Tripping of fuses, of the motor protection switch or the monitoring equipment
 - ⇒ Have the connection and the monitoring equipment checked by a qualified electrician and change it if necessary.
 - ⇒ Have the motor protection switches and fuses installed and adjusted according to the technical specifications by a qualified electrician and reset monitoring equipment.
 - ⇒ Check the impeller to make sure that it runs smoothly, clean the hydraulics if necessary.

Fault: Pump starts up, motor protection trips after short period

1. Motor protection switch set incorrectly.
 - ⇒ Have the adjustment of the trigger checked and corrected by a qualified electrician.
2. Increased power consumption due to major voltage drop.

- ⇒ Have the voltage of individual phases checked by a qualified electrician. Contact the electricity distribution network.
3. There are only two phases at the connection.
 - ⇒ Have the connection checked and corrected by a qualified electrician.
 4. Excessive differences in voltage between the phases.
 - ⇒ Have the voltage of individual phases checked by a qualified electrician. Contact the electricity distribution network.
 5. Incorrect direction of rotation.
 - ⇒ Have the connection corrected by a qualified electrician.
 6. Increased power consumption through jammed hydraulics.
 - ⇒ Clean the hydraulics and check the inlet.
 7. The density of the fluid is too high.
 - ⇒ Contact customer service.

Fault: Pump runs, there is no volume flow

1. There is no fluid.
 - ⇒ Check the inlet, open all gate valves.
2. Inlet clogged.
 - ⇒ Check the inlet and remove clogging.
3. Hydraulics jammed.
 - ⇒ Clean the hydraulics.
4. Pipe system on the pressure side or pressure hose clogged.
 - ⇒ Remove clogging and replace the damaged components if necessary.
5. Intermittent operation.
 - ⇒ Check the switching system.

Fault: Pump starts, duty point is not reached

1. Inlet clogged.
 - ⇒ Check the inlet and remove clogging.
2. Slide valves on the pressure side closed.
 - ⇒ Open all gate valves completely.
3. Hydraulics jammed.
 - ⇒ Clean the hydraulics.
4. Incorrect direction of rotation.
 - ⇒ Have the connection corrected by a qualified electrician.
5. Air cushion in the pipe system.
 - ⇒ Vent the pipe system.

- ⇒ If air cushions occur frequently: Locate and prevent the air intake, if required install ventilation systems at specified locations.
- 6. Pump pumping against excessive pressure.
 - ⇒ Open all gate valves on the pressure side completely.
 - ⇒ Check the impeller shape, use other impeller shapes if required. Contact customer service.
- 7. Signs of wear on the hydraulics.
 - ⇒ Have the components (impeller, suction port, pump housing) checked and replaced by customer service.
 - ⇒ Impeller clearance too great. Adjust the impeller clearance.
- 8. Pipe system on the pressure side or pressure hose clogged.
 - ⇒ Remove clogging and replace the damaged components if necessary.
- 9. Strongly gassing fluid.
 - ⇒ Contact customer service.
- 10. The connection only has two phases.
 - ⇒ Have the connection checked and corrected by a qualified electrician.
- 11. Excessive decrease in the fill level during operation.
 - ⇒ Check supply/capacity of the system.
 - ⇒ Have the switching points of the level control checked and adjusted if necessary.

Fault: The pump does not run smoothly and is noisy

1. Improper duty point.
 - ⇒ Check the pump configuration and the duty point, contact customer service.
2. Hydraulics jammed.
 - ⇒ Clean the hydraulics.
3. Strongly gassing fluid.
 - ⇒ Contact customer service.
4. There are only two phases at the connection.
 - ⇒ Have the connection checked and corrected by a qualified electrician.
5. Incorrect direction of rotation.
 - ⇒ Have the connection corrected by a qualified electrician.
6. Signs of wear on the hydraulics.
 - ⇒ Have the components (impeller, suction port, pump housing) checked and replaced by customer service.
7. Motor bearings have worn.
 - ⇒ Inform customer service; send the pump back to the factory for overhauling.

8. Pump is installed under tension.
 - ⇒ Check installation, install rubber compensators if necessary.

Further steps for troubleshooting

If the points listed here do not rectify the fault, customer service must be contacted. Customer service can assist as follows:

- Telephone or written support.
- On-site support.
- Inspection and repair at the factory.

Costs may be incurred if other services are used from customer service! For more details, please contact customer service.

11 Spare parts

Spare parts are ordered via customer service. To avoid return queries and incorrect orders, the serial or article number must always be supplied. **Subject to change without prior notice!**

12 Disposal

12.1 Oils and lubricants

Operating fluid must be collected in suitable tanks and disposed off in accordance with the locally applicable guidelines.

12.2 Protective clothing

Used protective clothing must be disposed off in accordance with the locally applicable guidelines.

12.3 Information on the collection of used electrical and electronic products

Proper disposal and appropriate recycling of this product prevents damage to the environment and danger to your personal health.



NOTICE

Disposal in domestic waste is forbidden!

In the European Union, this symbol can appear on the product, the packaging or the accompanying documentation. It means that the electrical and electronic products in question must not be disposed of along with domestic waste.

To ensure proper handling, recycling and disposal of the used products in question, please note the following points:

- Only hand over these products at designated, certified collecting points.
- Observe the locally applicable regulations!
Please consult your local municipality, the nearest waste disposal site, or the dealer who sold the product to you for information on proper disposal. Further recycling information at www.wilo-recycling.com.

Wilo – International (Subsidiaries)

Argentina

WILO SALMSON
Argentina S.A.
C1295ABI Ciudad
Autónoma de Buenos Aires
T +54 11 4361 5929
carlos.musich@wilo.com.ar

Australia

WILO Australia Pty Limited
Murrarie, Queensland, 4172
T +61 7 3907 6900
chris.dayton@wilo.com.au

Austria

WILO Pumpen Österreich
GmbH
2351 Wiener Neudorf
T +43 507 507-0
office@wilo.at

Azerbaijan

WILO Caspian LLC
1065 Baku
T +994 12 5962372
info@wilo.az

Belarus

WILO Bel IOOO
220035 Minsk
T +375 17 3963446
wilo@wilo.by

Belgium

WILO NV/SA
1083 Ganshoren
T +32 2 4823333
info@wilo.be

Bulgaria

WILO Bulgaria EOOD
1125 Sofia
T +359 2 9701970
info@wilo.bg

Brazil

WILO Comercio e
Importacao Ltda
Jundiaí – São Paulo – Brasil
13.213-105
T +55 11 2923 9456
wilo@wilo-brasil.com.br

Canada

WILO Canada Inc.
Calgary, Alberta T2A 5L7
T +1 403 2769456
info@wilo-canada.com

China

WILO China Ltd.
101300 Beijing
T +86 10 58041888
wilobj@wilo.com.cn

Croatia

WILO Hrvatska d.o.o.
10430 Samobor
T +38 51 3430914
wilo-hrvatska@wilo.hr

Cuba

WILO SE
Oficina Comercial
Edificio Simona Apto 105
Siboney, La Habana, Cuba
T +53 5 2795135
T +53 7 272 2330
raul.rodriguez@wilo-cuba.com

Czech Republic

WILO CS, s.r.o.
25101 Cestlice
T +420 234 098711
info@wilo.cz

Denmark

WILO Danmark A/S
2690 Karlslunde
T +45 70 253312
wilo@wilo.dk

Estonia

WILO Eesti OÜ
12618 Tallinn
T +372 6 509780
info@wilo.ee

Finland

WILO Finland OY
02330 Espoo
T +358 207401540
wilo@wilo.fi

France

Wilo Salmson France S.A.S.
53005 Laval Cedex
T +33 2435 95400
info@wilo.fr

Great Britain

WILO (U.K.) Ltd.
Burton Upon Trent
DE14 2WJ
T +44 1283 523000
sales@wilo.co.uk

Greece

WILO Hellas SA
4569 Anixi (Attika)
T +302 10 6248300
wilo.info@wilo.gr

Hungary

WILO Magyarország Kft
2045 Törökbálint
(Budapest)
T +36 23 889500
wilo@wilo.hu

India

Wilo Mather and Platt Pumps
Private Limited
Pune 411019
T +91 20 27442100
services@matherplatt.com

Indonesia

PT. WILO Pumps Indonesia
Jakarta Timur, 13950
T +62 21 7247676
citrawilo@cbn.net.id

Ireland

WILO Ireland
Limerick
T +353 61 227566
sales@wilo.ie

Italy

WILO Italia s.r.l.
Via Novegro, 1/A20090
Segrate MI
T +39 25538351
wilo.italia@wilo.it

Kazakhstan

WILO Central Asia
050002 Almaty
T +7 727 312 40 10
info@wilo.kz

Korea

WILO Pumps Ltd.
20 Gangseo, Busan
T +82 51 950 8000
wilo@wilo.co.kr

Latvia

WILO Baltic SIA
1019 Riga
T +371 6714-5229
info@wilo.lv

Lebanon

WILO LEBANON SARL
Jdeideh 1202 2030
Lebanon
T +961 1 888910
info@wilo.com.lb

Lithuania

WILO Lietuva UAB
03202 Vilnius
T +370 5 2136495
mail@wilo.lt

Morocco

WILO Maroc SARL
20250 Casablanca
T +212 (0) 5 22 66 09 24
contact@wilo.ma

The Netherlands

WILO Nederland B.V.
1551 NA Westzaan
T +31 88 9456 000
info@wilo.nl

Norway

WILO Norge AS
0975 Oslo
T +47 22 804570
wilo@wilo.no

Poland

WILO Polska Sp. z o.o.
5-506 Lesznowola
T +48 22 7026161
wilo@wilo.pl

Portugal

Bombas Wilo-Salmson
Sistemas Hidraulicos Lda.
4475-330 Maia
T +351 22 2080350
bombas@wilo.pt

Romania

WILO Romania s.r.l.
077040 Com. Chiajna
Jud. Ilfov
T +40 21 3170164
wilo@wilo.ro

Russia

WILO Rus ooo
123592 Moscow
T +7 495 7810690
wilo@wilo.ru

Saudi Arabia

WILO Middle East KSA
Riyadh 11465
T +966 1 4624430
wshoula@wataniaind.com

Serbia and Montenegro

WILO Beograd d.o.o.
11000 Beograd
T +381 11 2851278
office@wilo.rs

Slovakia

WILO CS s.r.o., org. Zložka
83106 Bratislava
T +421 2 33014511
info@wilo.sk

Slovenia

WILO Adriatic d.o.o.
1000 Ljubljana
T +386 1 5838130
wilo.adriatic@wilo.si

South Africa

Wilo Pumps SA Pty LTD
1685 Midrand
T +27 11 6082780
patrick.hulley@salmson.co.za

Spain

WILO Ibérica S.A.
8806 Alcalá de Henares
(Madrid)
T +34 91 8797100
wilo.iberica@wilo.es

Sweden

WILO NORDIC AB
35033 Växjö
T +46 470 727600
wilo@wilo.se

Switzerland

Wilo Schweiz AG
4310 Rheinfelden
T +41 61 836 80 20
info@wilo.ch

Taiwan

WILO Taiwan CO., Ltd.
24159 New Taipei City
T +886 2 2999 8676
nelson.wu@wilo.com.tw

Turkey

WILO Pompa Sistemleri
San. ve Tic. A.Ş.
34956 İstanbul
T +90 216 2509400
wilo@wilo.com.tr

Ukraine

WILO Ukraina t.o.w.
08130 Kiev
T +38 044 3937384
wilo@wilo.ua

United Arab Emirates

WILO Middle East FZE
Jebel Ali Free zone – South
PO Box 262720 Dubai
T +971 4 880 9177
info@wilo.ae

USA

WILO USA LLC
Rosemont, IL 60018
T +1 866 945 6872
info@wilo-usa.com

Vietnam

WILO Vietnam Co Ltd.
Ho Chi Minh City, Vietnam
T +84 8 38109975
nkminh@wilo.vn

wilo

Pioneering for You

WILO SE
Nortkirchenstr. 100
44263 Dortmund
Germany
T +49 (0)231 4102-0
T +49 (0)231 4102-7363
wilo@wilo.com
www.wilo.com

Wilo-Rexa UNI



en Installation and operating instructions



Table of contents

1	General information	5
1.1	About these instructions	5
1.2	Copyright	5
1.3	Subject to change	5
1.4	Warranty	5
2	Safety	5
2.1	Identification of safety instructions.....	5
2.2	Personnel qualifications.....	6
2.3	Electrical work	6
2.4	Monitoring devices	7
2.5	Use in fluids hazardous to health	7
2.6	Transport.....	7
2.7	Installing/dismantling.....	7
2.8	During operation	7
2.9	Maintenance tasks	8
2.10	Operating fluid	8
2.11	Operator responsibilities.....	8
3	Application/use	8
3.1	Intended use	8
3.2	Improper use.....	9
4	Product description	9
4.1	Design	9
4.2	Monitoring devices	10
4.3	Operating modes.....	10
4.4	Operation with frequency converter.....	10
4.5	Operation in an explosive atmosphere	10
4.6	Technical data	10
4.7	Type key	10
4.8	Scope of delivery.....	11
4.9	Accessories	11
5	Transportation and storage	11
5.1	Delivery.....	11
5.2	Transport.....	11
5.3	Storage	12
6	Installation and electrical connection	12
6.1	Personnel qualifications.....	12
6.2	Installation types.....	12
6.3	Operator responsibilities.....	12
6.4	Installation	13
6.5	Electrical connection	17
7	Commissioning.....	18
7.1	Personnel qualifications.....	19

7.2	Operator responsibilities.....	19
7.3	Direction of rotation check (for three-phase current motors only).....	19
7.4	Before switching on.....	19
7.5	Switching on and off.....	19
7.6	During operation.....	20
8	Decommissioning/dismantling.....	20
8.1	Personnel qualifications.....	20
8.2	Operator responsibilities.....	20
8.3	Decommissioning.....	20
8.4	Removal.....	21
9	Maintenance and repair.....	22
9.1	Personnel qualifications.....	23
9.2	Operator responsibilities.....	23
9.3	Operating fluid.....	23
9.4	Maintenance intervals.....	23
9.5	Maintenance measures.....	24
10	Faults, causes and remedies.....	25
11	Spare parts.....	27
12	Disposal.....	27
12.1	Oils and lubricants.....	27
12.2	Protective clothing.....	27
12.3	Information on the collection of used electrical and electronic products.....	27

1 General information

1.1 About these instructions

These installation and operating instructions are an integral part of the product. Read these instructions before commencing work and keep them in an accessible place at all times. Strict adherence to these instructions is a requirement for intended use and correctly operating the product. All specifications and markings on the product must be observed.

The language of the original operating instructions is German. All other languages of these instructions are translations of the original operating instructions.

1.2 Copyright

These installation and operating instructions have been copyrighted by the manufacturer. The contents, of whatever type, may not be reproduced or distributed, or used for purposes of competition and shared with others.

1.3 Subject to change

The manufacturer reserves the right to make technical modifications to the product or individual components. The illustrations used may differ from the original and are intended as an example representation of the product.

1.4 Warranty

The specifications in the current "General Terms and Conditions" apply to the warranty and the warranty period. These can be found at www.wilo.com/legal
Any deviations must be contractually agreed and shall then be given priority.

Claim to warranty

If the following points are complied with, the manufacturer is obligated to rectify every qualitative or constructive flaw:

- The defects are reported in writing to the manufacturer within the warranty period.
- Application according to intended use.
- All monitoring devices are connected and tested before commissioning.

Exclusion of liability

Exclusion from liability excludes all liability for personal injury, material damage or financial losses. This exclusion ensues as soon as one of the following applies:

- Inadequate configuration due to inadequate or incorrect instructions by the operator or the client
- Non-compliance with installation and operating instructions
- Improper use

- Incorrect storage or transport
- Incorrect installation or dismantling
- Insufficient maintenance
- Unauthorised repairs
- Inadequate construction site
- Chemical, electrical or electro-chemical influences
- Wear

2 Safety

This chapter contains basic information which must be adhered to during the individual phases of the life cycle. Failure to follow the installation and operating instructions will result in injuries to persons, damage to the environment and the device and result in the loss of any claims for damages. Failure to follow the instructions can result in the following risks:

- Injury to persons from electrical, mechanical and bacteriological factors as well as electromagnetic fields
- Environmental damage from leakage of hazardous substances
- Property damage
- Failure of important functions of the product

Additionally, the instructions and safety instructions in the other chapters must be observed!

2.1 Identification of safety instructions

These installation and operating instructions set out safety instructions for preventing personal injury and damage to property. These safety instructions are shown differently:

- Safety instructions relating to personal injury start with a signal word, are **preceded by a corresponding symbol** and are shaded in grey.



DANGER

Type and source of the danger!

Consequences of the danger and instructions for avoidance.

- Safety instructions relating to property damage start with a signal word and are displayed **without** a symbol.

CAUTION

Type and source of the danger!

Consequences or information.

Signal words

- **DANGER!**
Failure to observe the safety instructions will result in serious injuries or death!
- **WARNING!**
Failure to follow the instructions can lead to (serious) injuries!
- **CAUTION!**
Failure to follow the instructions can lead to property damage and a possible total loss.
- **NOTICE!**
Useful information on handling the product

Symbols

These instructions use the following symbols:

-  Danger of electric voltage
-  Danger of bacterial infection
-  Danger of explosion
-  General warning symbols
-  Warning of crushing
-  Warning of cutting injuries
-  Warning of hot surfaces
-  Warning of high pressure
-  Warning of suspended loads
-  Personal protective equipment: Wear a safety helmet
-  Personal protective equipment: Wear foot protection
-  Personal protective equipment: Wear hand protection
-  Personal protective equipment: Wear mouth protection
-  Personal protective equipment: Wear safety goggles
-  Autonomous work prohibited! A second person must be present.
-  Useful information

Markups

- ✓ Prerequisite
- 1. Work step/list
⇒ Notice/instructions
- ▶ Result

2.2 Personnel qualifications

Personnel must:

- Be instructed about locally applicable regulations governing accident prevention.
 - Have read and understood the installation and operating instructions.
- Personnel must have the following qualifications.
- **Electrical work:** A qualified electrician must carry out the electrical work.
 - **Installation/dismantling:** The technician must be trained in the use of the necessary tools and fixation materials for the relevant construction site.
 - **Maintenance tasks:** The technician must be familiar with the use of operating fluids and their disposal. In addition, the technician must have basic knowledge of mechanical engineering.

Definition of “qualified electrician”

A qualified electrician is a person with appropriate technical education, knowledge and experience who can identify **and** prevent electrical hazards.

2.3 Electrical work

- A qualified electrician must carry out the electrical work.
- When connecting to the mains, comply with the locally applicable laws and regulations of the local energy supply company.
- Before commencing work, disconnect the device from the mains and secure it against being switched on again without authorisation.
- Personnel are trained on the execution of the electrical connection and the options for switching off the device.
- Comply with the technical specifications contained in these installation and operating instructions and on the rating plate.
- Earth the device.
- Observe the manufacturer’s specifications when connecting to electrical switching systems.
- Comply with the specifications on electro-magnetic compatibility when connecting electronic start-up controllers (e.g. soft starter or frequency converter). If required, take into account special measures (e.g. shielded cables, filters etc.).

- Replace defective power supply cables immediately. Contact customer service.

2.4 Monitoring devices

The following monitoring devices must be provided on-site:

Circuit breaker

The size of the circuit breakers conforms to the rated current of the pump. The switching characteristics should comply with group B or C. Observe local regulations.

Motor protection switch

Make provision for an on-site motor protection switch for devices without a plug! The minimum requirement is a thermal relay/motor protection switch with temperature compensation, differential triggering and anti-reactivation device in accordance with the local regulations. In case of sensitive mains, make provision for the installation on-site of other protective equipment (e.g. over-voltage, undervoltage or phase failure relay, etc.).

Residual-current device (RCD)

Comply with the regulations of the local energy supply company! The use of a residual-current device is recommended.

If persons come into contact with the device and conductive fluids, secure the connection **with** a residual-current device (RCD).

2.5 Use in fluids hazardous to health

There is a danger of bacterial infection when using the device in fluids hazardous to health! Thoroughly clean and disinfect the device after dismantling and prior to further use. The operator must ensure the following:

- The following protective equipment is provided and worn when cleaning the device:
 - Closed safety goggles
 - Breathing mask
 - Protective gloves
- All persons are informed about the fluid, the associated danger and its correct handling!

2.6 Transport

- The following protective equipment must be worn:
 - Safety shoes
 - Safety helmet (when using lifting equipment)
- Always hold the handle to transport the device. Never pull the power supply cable!
- Only use legally specified and approved lifting gear.

- Select the lifting gear based on the existing conditions (weather, attachment point, load, etc.).
- Always attach the lifting gear to the attachment points (handle or lifting eyelet).
- The stability of the lifting equipment must be ensured during operation.
- When using lifting equipment, a second person must be present to coordinate the procedure if required (e.g. if the operator's field of vision is blocked).
- Persons are not permitted to stand beneath suspended loads. Do **not** carry suspended loads over workplaces where people are present.

2.7 Installing/dismantling

- Wear the following protective equipment:
 - Safety shoes
 - Safety gloves for protection against cuts
 - Safety helmet (when using lifting equipment)
- Locally applicable laws and regulations for work safety and accident prevention must be complied with.
- Disconnect the device from the mains and secure it against being switched on again without authorisation.
- All rotating parts must be at a standstill.
- Provide adequate aeration in closed rooms.
- When working in chambers and closed spaces, a second person must be present for safety reasons.
- Take immediate countermeasures if there is a build-up of toxic or suffocating gases!
- Clean the device thoroughly. Disinfect devices that are used in fluids hazardous to health!
- Make sure that there is no risk of explosion when carrying out any type of welding work or work with electrical devices.

2.8 During operation

- Wear the following protective equipment:
 - Safety shoes
 - Ear protection (in accordance with the notice of the work regulations)
- Work area of the device is not a recreational area. No persons are allowed in the work area during operation.
- The operator must immediately report any faults or irregularities to their line manager.
- If safety-endangering defects occur, the operator must immediately deactivate the device:
 - Malfunction of the safety and monitoring device
 - Damage to the housing parts
 - Damage to the electrical equipment
- Never reach into the suction port. The rotating parts can crush and sever limbs.

- If the motor emerges during operation, the motor housing can heat up to above 40 °C (104 °F).
- Open all gate valves in the piping on the suction and pressure side.
- Ensure minimum water submersion through dry-running protection.
- Under normal operating conditions, the sound pressure level of the device is below 85 dB(A). However, the actual sound-pressure level depends on several factors:
 - Installation depth
 - Installation
 - Fixation of accessories and pipe
 - Duty point
 - Immersion depth
- If the device is operated under normal operating conditions, the operator must measure the sound pressure. Ear protection must be worn for sound pressure levels of 85 dB(A) and above and this must be noted in the work regulations!

2.9 Maintenance tasks

- Wear the following protective equipment:
 - Closed safety goggles
 - Safety shoes
 - Safety gloves for protection against cuts
- Always carry out maintenance tasks outside the operating space/installation site.
- Only carry out maintenance tasks mentioned in these installation and operating instructions.
- Only original parts from the manufacturer may be used for maintenance and repairs. Use of parts other than the original parts releases the manufacturer from any liability.
- Collect any leakage of fluid and operating fluid immediately and dispose of it according to the locally applicable guidelines.
- Store tools at the designated locations.
- After completing work, reattach all safety and monitoring devices and check that they function properly.

Changing operating fluid

In case of a defect, a pressure **of several bar can build up** in the motor! This pressure escapes when the screw plugs are **opened**. If screw plugs are opened without due caution, they can be ejected at high speed! To avoid injuries, observe the following instructions:

- Adhere to the prescribed sequence of work steps.
- Unscrew the screw plugs slowly, but never unscrew them completely. As soon as the pressure escapes (audible

whistling or hissing of air), stop turning the screw plug any further.

WARNING! Hot operating fluids can also spray out when the pressure is escaping. This can result in scalding! To avoid injuries, allow the motor to cool down to the ambient temperature before carrying out any work!

- When the pressure has completely dissipated, fully unscrew the screw plug.

2.10 Operating fluid

In the sealing chamber, the motor is filled with white oil. Operating fluid must be replaced during regular maintenance work and disposed off according to the local guidelines.

2.11 Operator responsibilities

- Installation and operating instructions must be in a language which the personnel can understand.
- Make sure that the personnel is relevantly trained for the specified work.
- Provide the necessary protective equipment and make sure that the personnel wears it.
- Safety and information signs mounted on the device must be always legible.
- Train the personnel pertaining to the functioning of the system.
- Eliminate risk from electrical current.
- Equip hazardous components inside the system with an on-site guard.
- Identify and cordon off the work area.
- To ensure safe working practice, define the responsibilities of the employees.

Children and persons younger than 16 years or with reduced physical, sensory or mental capacities or limited experience are prohibited from handling the product! A technician must supervise persons younger than 18 years!

3 Application/use

3.1 Intended use

Submersible pumps are suitable for pumping:

- Sewage containing faeces
- Wastewater (with small amounts of sand and gravel)
- Fluids with dry matter up to max. 8 %

3.2 Improper use



DANGER

Explosion due to pumping of explosive fluids!

Pumping of highly flammable and explosive fluids (gasoline, kerosene, etc.) in pure form is strictly prohibited. There is a risk of fatal injury due to explosion! The pumps are not designed for these fluids.



DANGER

Danger due to fluids hazardous to health!

If the pump is used in fluids hazardous to health, decontaminate the pump after dismantling and before carrying out any other work! There is a risk of fatal injury! Observe the specifications in the work regulations! The operator must make sure that the personnel have received and read the work regulations!

The submersible pumps must **not be used** for pumping:

- Drinking water
- Fluids containing hard components (such as stones, wood, metal, etc.)
- Fluids containing large quantities of abrasive contents (e.g. sand, gravel)

Intended use also includes compliance with this manual. Any other use is regarded as non-compliant with the intended use.

4 Product description

4.1 Design

Submersible sewage pump as a submersible monobloc unit for intermittent operation for wet well installation.

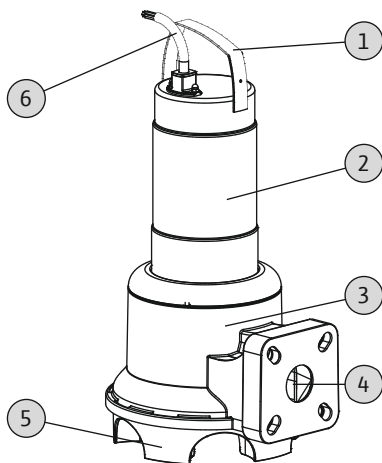


Fig. 1: Overview

1	Handle/attachment point
---	-------------------------

2	Motor housing
3	Hydraulics housing
4	Pressure port
5	Pump support foot, integrated in hydraulics housing
6	Power supply cable

4.1.1 Hydraulics

Rotodynamic hydraulics with vortex impeller and horizontal flange connection on the pressure side. The screwed connection is integrated in the pressure port. The hydraulics are **not** self-priming, in other words, the fluid must flow in either automatically or with supply pressure.



NOTICE

Combined connection for DN 50 and DN 65!

The Rexa UNI V06 is equipped with a DN 50/65 combined connection. The factory setting of the connection is DN 65. To use the pump with a DN 50 connection, press the nuts in the flange inwards onto the small hole circle. The flange can be reset to DN 65 at any time!

4.1.2 Motor

The drive versions used are single-phase current and three-phase current surface-cooled motors. The motor is cooled by the fluid around it. The waste heat is transferred directly to the fluid via the motor housing. The motor may emerge during operation.

With single-phase current motors, the operating capacitor is integrated in the motor. The connection cable is available in the following versions:

- **Single-phase current version:**
 - With shockproof plug
 - With shockproof plug and fitted with a float switch
- **Three-phase current version:**
 - With bare cable end
 - With CEE plug and fitted with a float switch

4.1.3 Seal

Different designs are used for the seal to the fluid and the motor compartment:

- Rexa UNI V05: A rotary shaft seal is used on the motor side, a mechanical seal is used on the fluid side.
- Rexa UNI V06: A mechanical seal is used on the motor side and the fluid side.

The sealing chamber between both seals is filled with medical white oil.

4.1.4 Material

- Pump housing: PP-GF30
- Impeller: PP-GF30
- Motor housing: 1.4301 (AISI 304)
- Shaft: 1.4401 (AISI 316)
- Seal, fluid side: SiC/SiC
- Seal on the motor side: NBR (nitrile) (V05), C/Cr (V06)
- Seal, static: NBR (nitrile)

4.1.5 Fitted accessories

Float switch

In the "A" version the pump is equipped with a float switch. Depending on the fill level, it is possible to switch the pump on and off automatically, by using the float switch.

Plug

In the "P" and "A" version, a shockproof plug is attached for single-phase AC motors and a CEE plug is attached for three-phase current motors. The plug is designed for use in commercially available shock-proof or CEE sockets and is **not** overflow-proof.

4.2 Monitoring devices

Monitoring of motor winding

The thermal motor monitoring protects the motor winding from overheating. Temperature limiter with bimetallic strip is fitted as standard.

Thermal motor monitoring is self-switching for single-phase current motors, i.e. if the motor is switched off due to overheating and then cools down, it is automatically switched on again.

For three-phase current motors, the thermal motor monitoring must be connected in the switchgear or plug.

4.3 Operating modes

Operating mode S1: Continuous duty

The pump can operate continuously at the rated load without exceeding the permissible temperature.

Operating mode S2: Short-time duty

The maximum operating period is specified in minutes, e.g. S2-15. The pause must last until the machine temperature no longer differs from the temperature of the coolant by more than 2 K.

Operating mode S3: Intermittent periodic duty

This operating mode defines a switching cycle in a combination of periods of operation and standstill. Specified value (e.g. S3 25 %) relates to the operating time. The switching cycle has a duration of 10 min.

If two values (e.g. S3 25 %/120 s) are specified, the first value relates to the operating time. The second value specifies the max. period of the switching cycle.

4.4 Operation with frequency converter

Operation on the frequency converter is not permitted.

4.5 Operation in an explosive atmosphere

Operation in an explosive atmosphere is not permitted.

4.6 Technical data

General	
Mains connection [U/f]	See rating plate
Power consumption [P ₁]	See rating plate
Rated power [P ₂]	See rating plate
Maximum delivery head [H]	See rating plate
Max. volume flow [Q]	See rating plate
Activation type [AT]	See rating plate
Fluid temperature [t]	3...40 °C
Protection class	IP68
Insulation class [Cl.]	F
Speed [n]	See rating plate
Max. switching frequency	30/h
Max. immersion depth [8]	See rating plate
Cable length (standard version)	10 m
Explosion protection	-
Operating modes	
Immersed [OTs]	S1
Non-immersed [OTe]	S2-15, S3 10 %*
Pressure connection	
UNI V05...	DN 50, PN 10
UNI V06...	DN 50/65, PN 10

* Operating mode S3 25 % is permitted if the necessary motor cooling is guaranteed before the motor is switched on again! To ensure the required cooling, the motor must be completely immersed for at least 1 min.

4.7 Type key

Example: Wilo-Rexa UNI V05/T06-540/P	
UNI	Series
V	Impeller = vortex impeller

Example: Wilo-Rexa UNI V05/T06-540/P

05	Nominal diameter of pressure connection
T	Mains connection version: M = 1~, T = 3~
06	/10 = Rated power P_2 in kW
5	Frequency mains connection: 5 = 50 Hz, 6 = 60 Hz
40	Code for rated voltage
P	Additional electrical equipment: without = with free cable end A = with float switch and plug P = with plug

4.8 Scope of delivery

- Pump with 10 m (33 ft) cable
- Single-phase current version with
 - Shockproof plug
 - Float switch and shockproof plug
- Three-phase current version with
 - Bare cable end
 - Float switch and CEE plug
- Installation and operating instructions

4.9 Accessories

- Cable lengths in fixed length increments of 10 m (33 ft) up to max. 30 m (99 ft) in single-phase current version or max. 50 m (164 ft) in three-phase current version
- Suspension unit
- Level control devices
- Fixation accessories and chains
- Switchgear, relays and plugs

5 Transportation and storage**5.1 Delivery**

After receiving the shipment, this must be checked immediately for defects (damage, completeness). Defects must be noted on the freight documentation! Furthermore, defects must be notified to the transport company or the manufacturer immediately on the day of receipt of shipment. Subsequently notified defects can no longer be asserted.

5.2 Transport**WARNING****Standing under suspended loads!**

Never allow anyone to stand under suspended loads! Danger of (serious) injuries caused by falling parts. Loads may not be carried over work places where people are present!

**WARNING****Head and foot injuries due to a lack of protective equipment!**

Danger of (serious) injuries during work. Wear the following protective equipment:

- Safety shoes
- Safety helmet must be worn if lifting equipment are used!

**NOTICE****Only use lifting equipment in a technically sound condition!**

Only use lifting equipment in a technically sound condition for lifting, lowering and transporting the pump. Ensure that the pump does not become jammed during lifting and lowering. Do **not** exceed the max. permissible bearing capacity of the lifting equipment!

CAUTION**Soaked packaging may tear!**

The product may fall on the ground if unprotected and may be damaged. Lift wet packaging carefully and replace it immediately!

Only remove the outer packaging at the place of utilisation to ensure that the pump is not damaged during transport. Use tear-proof plastic sacks of sufficient size to package used pumps for transport in a leak-proof manner.

The following points must also be observed:

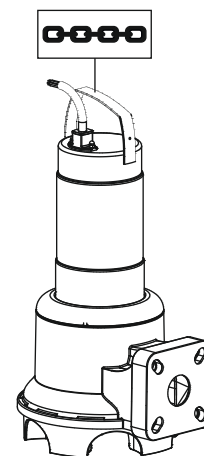


Fig. 2: Attachment point

- Adhere to the applicable national safety regulations.
- Use legally specified and approved lifting gear.
- Select the lifting gear based on the existing conditions (weather, attachment point, load, etc.).

- Only attach the lifting gear to the attachment point. Fix with a shackle.
- Use lifting equipment with sufficient bearing capacity.
- The stability of the lifting equipment must be ensured during operation.
- When using lifting equipment, a second person must be present to coordinate the procedure if required (e.g. if the operator's field of vision is blocked).

5.3 Storage



DANGER

Danger due to fluids hazardous to health!

If the pump is used in fluids hazardous to health, decontaminate the pump after dismantling and before carrying out any other work! There is a risk of fatal injury! Observe the specifications in the work regulations! The operator must make sure that the personnel have received and read the work regulations!



WARNING

Sharp edges on the impeller and suction port!

Sharp edges can form on the impeller and suction port. There is danger of limbs being severed! Protective gloves must be worn to protect from cuts.

CAUTION

Total damage due to moisture ingress

Moisture ingress in the power supply cable damages the power supply cable and the pump! Never immerse the end of the power supply cable in a fluid and firmly seal it during storage.

Newly supplied pumps can be stored for one year. Contact customer service to store the pump for more than one year.

The following must be observed for storage:

- Place the pump upright (vertical) on a firm bearing surface and **secure it against slipping and falling over!**
- The max. storage temperature is -15 °C to $+60\text{ °C}$ (5 °F to 140 °F) at a max. relative humidity of 90 %, non-condensing. Frost-proof storage at a temperature of 5 °C to 25 °C (41 °F to 77 °F) with relative humidity of 40 % to 50 % is recommended.
- Do not store the pump in rooms in which welding work is carried out. The resulting gases or radiation can corrode the elastomer parts and coatings.
- Seal the suction and pressure connection tightly.

- Protect power supply cables against kinking and damage.
- Protect the pump from direct sunlight and heat. Extreme heat can cause damage to the impellers and the coating!
- Impellers must be turned by 180 ° at regular intervals (3 – 6 months). This prevents locking of the bearings and renews the lubrication film of the mechanical seal.

WARNING! There is a risk of injury due to sharp edges on the impeller and suction port!

- Elastomer parts and the coating are subject to natural brittleness. Contact customer service if the pump must be stored for more than 6 months.

After storage, remove any dust and oil from the pump and check the coating for damage. Repair damaged coatings before further use.

6 Installation and electrical connection

6.1 Personnel qualifications

- Electrical work: A qualified electrician must carry out the electrical work.
- Installation/dismantling: The technician must be trained in the use of the necessary tools and fixation materials for the relevant construction site.

6.2 Installation types

- Vertical stationary wet well installation with suspension unit
- Vertical portable wet well installation with pump support foot

The following installation types are **not** permitted:

- Dry well installation
- Horizontal installation

6.3 Operator responsibilities

- Observe locally applicable accident prevention and safety regulations of trade associations.
- Observe all regulations for working with heavy loads and under suspended loads.
- Provide protective equipment and ensure that the protective equipment is worn by personnel.
- Observe local sewage technology regulations for the operation of sewage systems.
- Avoid pressure surges!
Pressure surges can occur in long pressure pipes with steep terrain. These pressure surges can lead to the destruction of the pump!
- Ensure the cooling time of the motor depending on the operating conditions and the size of the pump chamber.
- Structural components and foundations must be of sufficient stability in order to allow the device to be fixed

securely and functionally. The operator is responsible for the provision and suitability of the structural component/foundation!

- Check that the available consulting documents (installation plans, design of the operating space, inflow conditions) are complete and correct.

6.4 Installation



DANGER

Risk of fatal injury due to dangerous lone working practices!

Work in chambers and narrow rooms as well as work involving risk of falling are dangerous work. Such work may not be carried out autonomously! A second person must be present for safety reasons.



WARNING

Hand and foot injuries due to lack of protective equipment!

Danger of (serious) injuries during work. Wear the following protective equipment:



- Safety gloves for protection against cuts
- Safety shoes
- Safety helmet must be worn if lifting equipment are used!



NOTICE

Only use lifting equipment in a technically sound condition!

Only use lifting equipment in a technically sound condition for lifting, lowering and transporting the pump. Ensure that the pump does not become jammed during lifting and lowering. Do **not** exceed the max. permissible bearing capacity of the lifting equipment!



NOTICE

Emerging of the motor during operation

If the motor emerges during operation, the specifications for "Operating mode non-immersed" must be complied with!

To ensure that the motor is cooled during continuous duty, the motor must be immersed completely before switching it on again!

- Prepare operating space/installation location as follows:
 - Clean, free of coarse solids
 - Dry well

– Frost-free

– Decontaminated

- Take immediate countermeasures if there is a build-up of toxic or suffocating gases!
- Use the handle for lifting, lowering and transporting the pump. Never carry or drag the pump by the power supply cable!
- It must be possible to attach lifting equipment safely. The storage place and the operating space/installation site must be accessible with the lifting equipment. The set-down location must have a solid bearing surface.
- Attach the lifting gear to the handle using a shackle. Only use lifting gear which has been technically approved.
- The routed power supply cables must allow safe operation. Check whether the cable cross-section and the cable length are sufficient for the selected installation type.
- The corresponding IP class must be observed when using switchgear. Install the switchgear overflow-proof and outside potentially explosive areas!
- Avoid air intake into the fluid, use baffles or deflector plates for the inlet. Air which has entered the system can collect in the pipe system and lead to impermissible operating conditions. Air pockets must be removed via ventilation systems!
- A dry run of the pump is prohibited! Avoid air pockets in the hydraulics housing or in the pipe system. Ensure the water level never falls below the minimum. The installation of a dry-running protection is recommended!

6.4.1 Indications for double pump operation

If several pumps are used in an operating space, minimum distances between the pumps and the wall must be complied with. Here there is a difference in the distances depending on the type of system: Alternating operation or parallel operation.

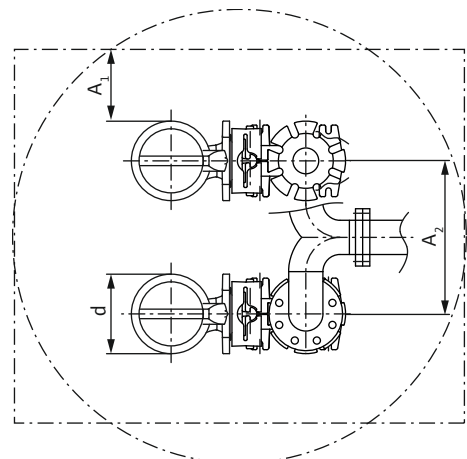


Fig. 3: Minimum distances

d	Diameter hydraulics housing
A ₁	Minimum distance from the wall: – alternating operation: min. 0.3 × d – parallel operation: min. 1 × d
A ₂	Distance to pressure pipes – alternating operation: min. 1.5 × d – parallel operation: min. 2 × d

6.4.2 Note on DN 50/65 combination flange

The Rexa UNI V06... is equipped with a DN 50/65 combination flange. The nuts on the combination flange are factory-set to the DN 65 flange. For use with a DN 50 flange, adjust the nuts at the flange. The flange can be reset to DN 65 at any time!

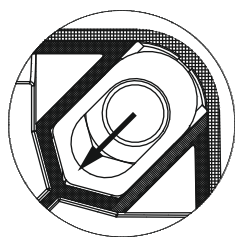


Fig. 4: Adjust combination flange

- ✓ No accessories mounted on flange.
 - ✓ Nut is freely accessible.
1. Push the nut inwards onto the small hole circle using a screwdriver.
- The flange connection is reset to DN 50.

6.4.3 Maintenance tasks

After a storage period of more than 6 months, check the oil in the sealing chamber prior to installation:

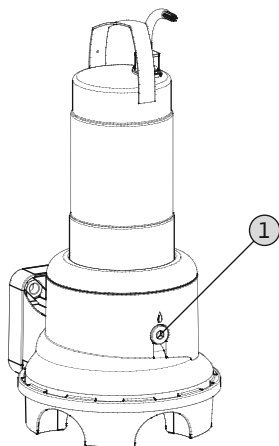


Fig. 5: Check the oil

1	Screw plug sealing chamber
---	----------------------------

- ✓ Pump is **not** installed.

- ✓ Pump is **not** connected to the mains.
 - ✓ Protective equipment has been put on!
1. Place the pump horizontally on a firm surface. The screw plug points upwards. **WARNING! Risk of hands being crushed. Ensure that the pump cannot fall over or slip away!**
 2. Unscrew the screw plug.
 3. Place a suitable tank to collect the operating fluid.
 4. Drain the operating fluid: Rotate the pump until the opening points downwards.
 5. Check the operating fluid:
 - ⇒ If the operating fluid is clear, reuse operating fluid.
 - ⇒ If the operating fluid is contaminated (black), fill with new operating fluid. Dispose of operating fluid in accordance with the local regulations!
 - ⇒ Notify customer service if an operating fluid contains metal chips!
 6. Pour in operating fluid: Rotate the pump until the opening points upwards. Fill-in the operating fluid into the opening.
 - ⇒ Comply with the specifications for operating fluid locations and quantity! When recycling the operating fluid, check the quantity and if required adjust it!
 7. Clean the screw plug, replace the seal ring and screw it back in. **Max. tightening torque: 8 Nm (5.9 ft lb)!**

6.4.4 Stationary wet well installation



NOTICE

Delivery problems due to water level being too low

The hydraulics are self-venting. As a result, smaller air cushions are dissolved during the pumping process. If the level of the fluid is lowered too much, the volume flow can be interrupted. The minimum permissible water level must reach the upper edge of the hydraulics housing!

The pump is installed in the fluid for the wet well installation. For this, a suspension unit must be installed in the chamber. On the pressure side, the on-site pipe system is connected to the suspension unit and on the suction side to the pump. The connected pipe system must be self-supporting. The suspension unit must **not** support the pipe system!

CAUTION! If the motor emerges during operation, observe the operating mode for non-immersed operation (S2-15, S3 10 %*)!

* Operating mode S3 25 % is permitted if the necessary motor cooling is guaranteed before the motor is switched on again! To ensure the required cooling, the motor must be completely immersed for at least 1 min.

Work steps

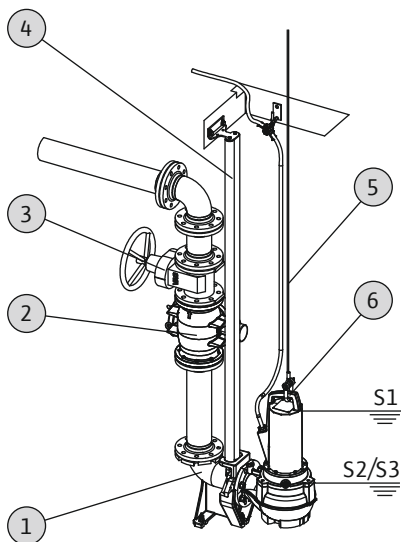


Fig. 6: Wet well installation, stationary

1	Suspension unit
2	Non-return valve
3	Stop valve
4	Guide pipe (provided by the customer)
5	Lifting equipment
6	Attachment point for the lifting equipment

CAUTION

Damage to the pump due to incorrect installation

Observe the following points during the installation of the pump:

- Observe the max. permissible tightening torque: 15 Nm (11 ft·lb) (V05) or 25 Nm (18 ft·lb) (V06)
- Do not insert an additional gasket between the flange and the accessories! A gasket is mounted on the pump flange!
- Only use accessories with a flange shape in accordance with **EN 1092-2, type A**. The use of other flange shapes **is not permitted!**

- ✓ Operating space/installation location is prepared for the installation.

- ✓ Suspension unit and pipe system were installed.
- ✓ Pump is prepared for operation on the suspension unit.
 1. Use a shackle to attach the lifting equipment to the attachment point of the pump.
 2. Lift the pump, swivel it above the chamber opening and slowly lower the guide claw onto the guide pipe.
 3. Lower the pump until it sets on the suspension unit and is connected automatically. **CAUTION! Hold the power supply cables slightly taut when lowering the pump!**
 4. Loosen the lifting equipment from the lifting gear and secure it at the chamber outlet against falling.
 5. Have the power supply cables routed into the chamber by a qualified electrician and route it outside properly from the chamber.
- ▶ The pump is installed, the qualified electrician can make the electrical connection.

6.4.5 Portable wet well installation



WARNING

Risk of burns from hot surfaces!

Motor housing can become hot during operation. It may cause burns. Allow the pump to cool down at ambient temperature after switching it off!



WARNING

Separation of pressure hose!

Separation or movement of the pressure hose can lead to (serious) injuries. Securely attach the pressure hose to the outlet! Prevent buckling of the pressure hose.



NOTICE

Delivery problems due to water level being too low

The hydraulics are self-venting. As a result, smaller air cushions are dissolved during the pumping process. If the level of the fluid is lowered too much, the volume flow can be interrupted. The minimum permissible water level must reach the upper edge of the hydraulics housing!

For portable installation, the pump is equipped with a pump support foot. The pump support foot ensures minimum ground clearance in the suction area and enables secure footing if placed on a solid bearing surface. In this

installation type, the pump can be installed anywhere in the operating space/installation site. A hard base must be used at the installation location to prevent sinking in case of soft bearing surfaces. A pressure hose is connected on the pressure side.

CAUTION! If the motor emerges during operation, observe the operating mode for non-immersed operation (S2-15, S3 10 %*)!

* Operating mode S3 25 % is permitted if the necessary motor cooling is guaranteed before the motor is switched on again! To ensure the required cooling, the motor must be completely immersed for at least 1 min.

Work steps

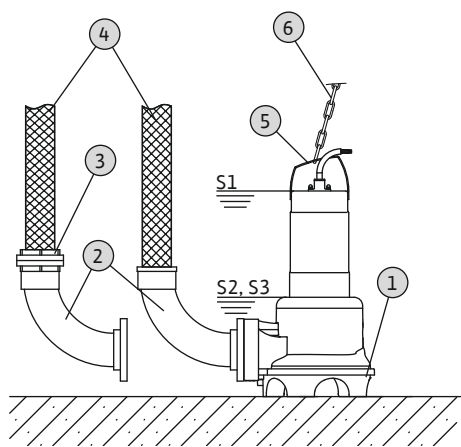


Fig. 7: Wet well installation, portable

1	Pump with integrated pump support foot
2	Pipe elbow with hose connection or Storz pipe coupling
3	Storz hose coupling
4	Pressure hose
5	Attachment point
6	Lifting equipment

CAUTION

Damage to the pump due to incorrect installation

Observe the following points during the installation of the pump:

- Observe the max. permissible tightening torque: 15 Nm (11 ft-lb) (V05) or 25 Nm (18 ft-lb) (V06)
- Do not insert an additional gasket between the flange and the accessories! A gasket is mounted on the pump flange!
- Only use accessories with a flange shape in accordance with **EN 1092-2, type A**. The use of other flange shapes **is not permitted!**

✓ Pressure connection prepared: Pipe elbow with hose connection or pipe elbow with Storz coupling mounted.

1. Use a shackle to attach the lifting equipment to the attachment point of the pump.
2. Lift the pump and lower it at the intended location (chamber, pit).
3. Place the pump on a solid bearing surface. **CAUTION! Sinking must be prevented!**
4. Lay the pressure hose and fasten it to a certain point (e.g. drainage). **DANGER! Separation or movement of the pressure hose can lead to (serious) injuries! Securely attach the pressure hose to the outlet.**
5. Lay the power supply cable properly. **CAUTION! Do not damage the power supply cable!**

► The pump is installed, the qualified electrician can make the electrical connection.

6.4.6 Level control

With a level control device, the current fill levels are determined and the pump is switched on and off automatically depending on the fill levels. Fill levels are recorded by using different sensor types (float switches, pressure and ultrasound measurements or electrodes). The following must be observed when using a level control device:

- Float switches can move freely!
- The water level must **not fall below** the minimum permissible!
- The maximum switching frequency **must not be exceeded!**
- If the fill levels fluctuate strongly, a level control with two measuring points is recommended. This makes it possible to achieve larger differential gaps.

Use of attached float switch

The "A" version is equipped with a float switch. The pump is switched on and off depending on the fill level. The switching level is determined by the cable length of the float switch.

Use of on-site level controls

When using an on-site level control device, refer to the manufacturer's own installation and operating instructions for specifications on the installation.

6.4.7 Dry-running protection

Dry-running protection must prevent the pump from operating without fluid and air from entering the hydraulics. The minimum permissible fill level must be de-

terminated with the help of a signal transmitter. Once the specified limit value is reached, the pump must be deactivated with an appropriate signal. Dry-running protection can expand the available level controls by an additional measuring point or function as an independent switch-off device. Depending on the system security, the pump can be restarted automatically or manually. Installation of dry-running protection is recommended for optimum operational reliability.

6.5 Electrical connection



DANGER

Risk of death due to electrocution!

Improper conduct when carrying out electrical work can lead to death due to electric shock! Electrical work must be carried out by a qualified electrician in accordance with the locally applicable regulations.

- The mains connection must match the specifications on the rating plate.
- Power supply on mains side for three-phase current motors with clockwise rotating field.
- Lay the power supply cables in accordance with the locally applicable regulations and connect them according to the wire assignment.
- Connect the monitoring devices and check their function.
- Earth the device properly in accordance with applicable local regulations.

6.5.1 Fuse on mains side

Circuit breaker

The size of the circuit breakers conforms to the rated current of the pump. The switching characteristics should comply with group B or C. Observe local regulations.

Motor protection switch

Make provision for an on-site motor protection switch for devices without a plug! The minimum requirement is a thermal relay/motor protection switch with temperature compensation, differential triggering and anti-reactivation device in accordance with the local regulations. In case of sensitive mains, make provision for the installation on-site of other protective equipment (e.g. overvoltage, undervoltage or phase failure relay, etc.).

Residual-current device (RCD)

Comply with the regulations of the local energy supply company! The use of a residual-current device is recom-

mended.

If persons come into contact with the device and conductive fluids, secure the connection **with** a residual-current device (RCD).

6.5.2 Maintenance tasks

Carry out the following maintenance tasks prior to installation:

- Check the insulation resistance of the motor winding.
- Test the resistor of the temperature sensor.

If the measured values differ from the specifications, moisture may have penetrated into the motor or the power supply cable or the monitoring device is defective. Contact customer service in the event of a fault.

6.5.2.1 Checking the insulation resistance of the motor winding

Use an insulation tester to measure the insulation resistance (measuring voltage = 1000 V). Observe the following values:

- At the time of initial commissioning: Insulation resistance may not be less than 20 MΩ.
- For further measurements: Value must be greater than 2 MΩ.

NOTICE! For motors with an integrated capacitor, short-circuit the windings prior to checking!

6.5.2.2 Test the resistor of the temperature sensor

Measure the resistor of the temperature sensors with an ohmmeter. The bimetallic strips must have a measured value of 0 Ohm (passage).

6.5.3 Connection of the single-phase current motor

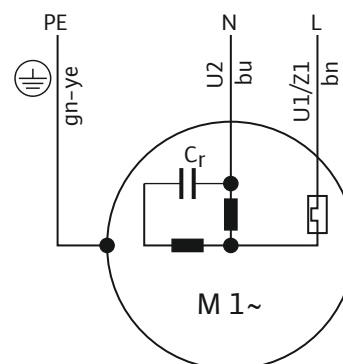


Fig. 8: Connection diagram single-phase current motor

Wire colour	Terminal
Brown (bn)	L
Blue (bu)	N
Green/yellow (gn-ye)	Earth

The single-phase current version is equipped with a shockproof plug. The connection to the mains is established by inserting the plug into a socket. The plug is **not** overflow-proof. **Install the socket so that it is overflow-proof!** Observe the information on the protection class (IP) of the plug.

DANGER! If the pump is connected directly to the switchgear, dismantle the plug and arrange for the electrical connection to be carried out by a qualified electrician!

6.5.4 Three-phase current motor connection

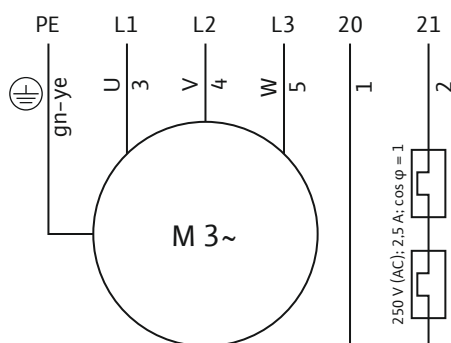


Fig. 9: Connection diagram three-phase current motor

Wire number	Designation	Terminal
1	20	WSK
2	21	WSK
3	U	L1
4	V	L2
5	W	L3
Green/yellow (gn-ye)	Earth	PE

For three-phase current motors, a clockwise rotating field must be available. The three-phase current version is equipped with a CEE plug or with a bare cable end:

- If a CEE plug is supplied, connection to the mains is established by inserting the plug into a socket. The plug is **not** overflow-proof. **Install the socket so that it is overflow-proof!** Observe the information on the protection class (IP) of the plug.
- If there is a bare cable-end, the pump must be connected directly to the switchgear. **DANGER! If the pump is connected directly to the switchgear, arrange for the electrical connection to be carried out by a qualified electrician!**

6.5.5 Monitoring device connection

All monitoring device must be connected!

6.5.5.1 Monitoring of motor winding

Single-phase current motor

Thermal motor monitoring is self-switching for single-phase current motors. The monitoring function is always active and does not need to be connected separately.

Three-phase current motor with bimetallic strip

Bimetallic strips are connected in the switchgear itself or via an evaluation relay.

Connection values: max. 250 V(AC), 2.5 A, $\cos \varphi = 1$

When the threshold is reached, deactivation must take place.

In the version with an attached plug, the thermal motor monitoring is pre-wired and set to the correct value in the plug.

6.5.6 Motor protection adjustment

Motor protection must be set depending on the selected activation type.

6.5.6.1 Direct activation

At full load, set the motor protection switch to the rated current (see rating plate). At partial load, it is recommended to set the motor protection switch 5 % above the current measured at the duty point.

6.5.6.2 Soft starter

At full load, set the motor protection switch to the rated current (see rating plate). At partial load, it is recommended to set the motor protection switch 5 % above the current measured at the duty point. The following points must also be observed:

- Power consumption must always be below the rated current.
- Complete starting and stopping within 30 s.
- To avoid power dissipation, bypass the electronic starter (soft start) once normal operation is reached.

6.5.7 Operation with frequency converter

Operation on the frequency converter is not permitted.

7 Commissioning



WARNING

Foot injuries due to a lack of protective equipment!

Danger of (serious) injuries during work. Wear safety shoes!

7.1 Personnel qualifications

- Electrical work: A qualified electrician must carry out the electrical work.
- Operation/control: Operating personnel must be instructed in the functioning of the complete system.

7.2 Operator responsibilities

- Providing installation and operating instructions by the pump or at a place specially reserved for it.
- Making the installation and operating instructions available in the language of the personnel.
- Making sure that the installation and operating instructions are read and understood by all personnel.
- All safety devices and emergency cut-outs on the system-side must be active and checked to ensure that they work properly.
- The pump is suitable for use under the specified operating conditions.

7.3 Direction of rotation check (for three-phase current motors only)

The pump is factory-checked and adjusted to the correct direction of rotation for a clockwise rotating field. Connection is made in accordance with the specifications in chapter "Electrical connection".

Direction of rotation check

A qualified electrician checks the rotating field at the mains connection with a rotating field-test device. For the correct direction of rotation, a clockwise rotating field must be available at the mains connection. The pump is **not** approved for operation with a counter-clockwise rotating field! **CAUTION! If the direction of rotation is checked with a test run, comply with the ambient and operating conditions!**

Incorrect direction of rotation

If the direction of rotation is incorrect, change the connection as follows:

- Swap two phases for motors with direct starting.
- Swap the connections of two windings (e.g. U1/V1 and U2/V2) for star-delta activation motors.

7.4 Before switching on

Check the following prior to activation:

- Check whether the device has been installed properly and in accordance with the locally applicable regulations:
 - Has the pump been earthed?
 - Layout of power supply cable tested?
 - Electrical connection made properly?
 - Mechanical components attached correctly?
- Check level control:

- Float switches can move freely?
- Switching level tested (pump on, pump off, minimum water level)?
- Additional dry-running protection installed?
- Test operating conditions:
 - Min./max. temperature of the fluid tested?
 - Max. immersion depth tested?
 - Operating mode defined depending on the minimum water level?
 - Maximum switching frequency adhered to?
- Check installation location/operating space:
 - Pipe system on the pressure side free of deposits?
 - Inlet or pump sump cleaned or free of deposits?
 - All gate valves open?
 - Minimum water level defined and monitored?

The hydraulics housing must be filled completely with the fluid and there must be no air cushions in the hydraulics. **NOTICE! Provide suitable venting devices if there is a risk of air cushions being formed in the system!**

7.5 Switching on and off

During the start process, the rated current is temporarily exceeded. During operation, the rated current may no longer be exceeded. **CAUTION! If the pump does not start, switch off the pump immediately. Remove the fault before reactivating the pump!**

Place pumps which are installed as portable pumps on a firm surface so they are level. If pumps have fallen over, place them upright again before activating them. Securely attach the pump with screws in case of difficult surfaces.

Pump with attached float switch and plug

- Single-phase current version: After inserting the plug into the socket, the pump is ready for operation. The pump is switched on and off automatically depending on the fill level.
- Three-phase current version: After inserting the plug into the socket, the pump is ready for operation. The pump is controlled via two switches on the plug:
 - MANUAL/AUTO: Determines if the pump is switched on and off directly (MANUAL) or depending on the fill level (AUTO).
 - ON/OFF: Switch pump on and off.

Pump with attached plug

- Single-phase current version: After inserting the plug in the socket, the pump is switched on.

- Three-phase current version: After inserting the plug into the socket, the pump is ready for operation. The pump is switched on and off with the ON/OFF switch.

Pumps with bare cable end

The pump must be switched on and off using a separate operating point (on/off switch, switchgear) provided by the customer.

7.6 During operation



WARNING

Amputation of limbs due to rotating components!

No persons must be present in the work area of the pump! There is risk of (serious) injuries due to rotating components! No persons must be present in the work area of the pump during start-up or operation.



WARNING

Risk of burns from hot surfaces!

Motor housing can become hot during operation. It may cause burns. Allow the pump to cool down at ambient temperature after switching it off!



NOTICE

Delivery problems due to water level being too low

The hydraulics are self-venting. As a result, smaller air cushions are dissolved during the pumping process. If the level of the fluid is lowered too much, the volume flow can be interrupted. The minimum permissible water level must reach the upper edge of the hydraulics housing!

When operating the pump, observe the locally applicable regulations on the following topics:

- Work safety
- Accident prevention
- Handling electrical machines

Strictly adhere to the responsibilities of the personnel specified by the operator. All personnel are responsible for ensuring that the responsibilities of the personnel and the regulations are observed!

Due to their design, centrifugal pumps have rotating parts that are easily accessible. Depending on the operating condition, sharp edges can develop on these parts.

WARNING! This can lead to cuts and limbs may be severed! Check the following at regular intervals:

- Operating voltage (+/- 10 % of the rated voltage)
- Frequency (+/- 2 % of the rated frequency)
- Power consumption between individual phases (max. 5 %)
- Voltage difference between the individual phases (max. 1 %)
- Max. switching frequency
- Minimum water submersion depending on the operating mode
- Inlet: no air intake
- Level control device/dry-running protection: Switching points
- Quiet/low-vibration running
- All gate valves open

8 Decommissioning/dismantling

8.1 Personnel qualifications

- Operation/control: Operating personnel must be instructed in the functioning of the complete system.
- Electrical work: A qualified electrician must carry out the electrical work.
- Installation/dismantling: The technician must be trained in the use of the necessary tools and fixation materials for the relevant construction site.

8.2 Operator responsibilities

- Locally applicable accident prevention and safety regulations of trade associations.
- Observe regulations for working with heavy loads and under suspended loads.
- Provide the necessary protective equipment and make sure that the personnel wears it.
- Provide adequate aeration in closed rooms.
- Take immediate countermeasures if there is a build-up of toxic or suffocating gases!

8.3 Decommissioning

The pump is deactivated during decommissioning, but remains installed. This ensures that the pump is always ready for operation.

- ✓ To protect the pump from frost and ice, always immerse the pump completely in the fluid.
 - ✓ The temperature of the fluid must always be above +3 °C (+37 °F).
1. Switch off the pump at the operating point.
 2. Secure the operating point against being switched on again by unauthorised persons (e.g. lock main switch).

- ▶ The pump is out of operation and can now be dismantled.
If the pump remains installed after decommissioning, observe the following:
 - Ensure that the prerequisites for decommissioning are maintained for the complete period of decommissioning. If these prerequisites cannot be guaranteed, dismantle the pump after decommissioning!
 - For an extended period of decommissioning, carry out a 5-minute function test at regular intervals (monthly to quarterly). **CAUTION! A function test may only be carried out under the applicable operating conditions. A dry run is not permitted! Non-compliance can result in irreparable damage!**

8.4 Removal



DANGER

Danger due to fluids hazardous to health!

If the pump is used in fluids hazardous to health, decontaminate the pump after dismantling and before carrying out any other work! There is a risk of fatal injury! Observe the specifications in the work regulations! The operator must make sure that the personnel have received and read the work regulations!



DANGER

Risk of death due to electrocution!

Improper conduct when carrying out electrical work can lead to death due to electric shock! Electrical work must be carried out by a qualified electrician in accordance with the locally applicable regulations.



DANGER

Risk of fatal injury due to dangerous lone working practices!

Work in chambers and narrow rooms as well as work involving risk of falling are dangerous work. Such work may not be carried out autonomously! A second person must be present for safety reasons.



WARNING

Risk of burns from hot surfaces!

Motor housing can become hot during operation. It may cause burns. Allow the pump to cool down at ambient temperature after switching it off!



NOTICE

Only use lifting equipment in a technically sound condition!

Only use lifting equipment in a technically sound condition for lifting, lowering and transporting the pump. Ensure that the pump does not become jammed during lifting and lowering. Do **not** exceed the max. permissible bearing capacity of the lifting equipment!

8.4.1 Stationary wet well installation

- ✓ Pump is decommissioned.
- ✓ Gate valves on the inlet and pressure side closed.
 1. Disconnect the pump from the mains.
 2. Attach the lifting equipment to the attachment point.
CAUTION! Never pull on the power supply cable! This damages the power supply cable!
 3. Slowly raise the pump and lift above the guide pipes from the operating space. **CAUTION! The power supply cable can be damaged while lifting! Hold the power supply cable slightly taut when lifting!**
 4. Clean the pump thoroughly (see point “Cleaning and disinfecting”). **DANGER! Disinfect the pump when used in fluids hazardous to health!**

8.4.2 Portable wet well installation

- ✓ Pump is taken out of operation.
 1. Disconnect the pump from the mains.
 2. Roll up the power supply cable and place it over the motor housing. **CAUTION! Never pull on the power supply cable! This damages the power supply cable!**
 3. Loosen the pressure pipe from the pressure port.
 4. Attach the lifting equipment to the attachment point.
 5. Lift the pump from the operating space. **CAUTION! The power supply cable may be squeezed and damaged when setting the pump down! Pay attention to the power supply cable when setting the pump down!**
 6. Clean the pump thoroughly (see point “Cleaning and disinfecting”). **DANGER! Disinfect the pump when used in fluids hazardous to health!**

8.4.3 Clean and disinfect



DANGER

Danger due to fluids hazardous to health!

Danger to life if the pump is used in fluids hazardous to health! Decontaminate the pump before carrying out any further work! Wear the following protective equipment while performing cleaning tasks:

- Closed safety goggles
- Breathing mask
- Protective gloves

⇒ **The equipment listed here is the minimum requirement, observe the specifications of the work regulations! The operator must make sure that the personnel have received and read the work regulations!**



- ✓ Pump is dismantled.
- ✓ The contaminated cleaning water is disposed of in the sewage in accordance with the locally applicable regulations.
- ✓ A disinfectant is provided for contaminated pumps.
 1. Attach the lifting equipment to the attachment point of the pump.
 2. Lift the pump approximately 30 cm above the ground.
 3. Spray the pump with clear water from top to bottom.

NOTICE! An appropriate disinfectant must be used for contaminated pumps! Strictly observe the manufacturer's specifications concerning use!
 4. To clean the impeller and the interior pump space, guide the water jet inside via the pressure port.
 5. Flush all dirt residue onto the floor of the channel.
 6. Allow the pump to dry out.

8.4.3.1 Clean the interior area of the hydraulics

Remove the baseplate of the hydraulics for easier cleaning of the interior area of the hydraulics.

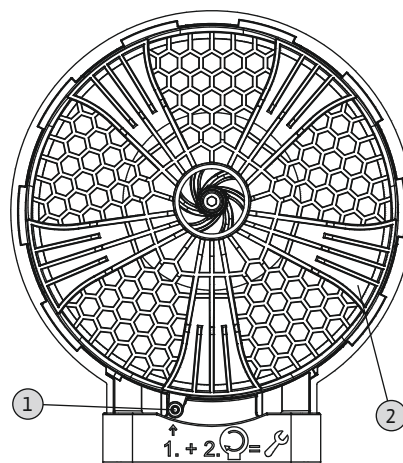


Fig. 10: Disassemble baseplate

1	Safety screw
2	Baseplate

1. Place the pump on a firm surface in a horizontal position.

WARNING! Risk of hands being crushed. Ensure that the pump cannot fall over or slip away!
 2. Unscrew the safety screw (Allen bolt 4) of the baseplate half-way, until the bayonet coupling can be turned.
 3. The baseplate is attached with a bayonet coupling. Turn the baseplate clockwise (to the right) and remove.
 4. Rinse the interior area of the hydraulics with clear water, remove solids manually.

WARNING! Sharp edges can form on the impeller. This can lead to extremities being cut off! Wear safety gloves to protect against cuts!
 5. Check correct position of O-ring on the baseplate.
 6. Lubricate the O-ring with O-ring grease and set the baseplate on the hydraulic part.
 7. Turn baseplate anticlockwise (to the left). The baseplate is fixed in place with the bayonet coupling.
 8. Screw in the safety screw of the baseplate. **Max. tightening torque: 1.5 Nm (1.1 ft·lb)!**
- Hydraulics cleaned and locked, complete cleaning tasks.

9 Maintenance and repair



DANGER

Danger due to fluids hazardous to health!

If the pump is used in fluids hazardous to health, decontaminate the pump after dismantling and before carrying out any other work! There is a risk of fatal injury! Observe the specifications in the work regulations! The operator must make sure that the personnel have received and read the work regulations!



NOTICE

Only use lifting equipment in a technically sound condition!

Only use lifting equipment in a technically sound condition for lifting, lowering and transporting the pump. Ensure that the pump does not become jammed during lifting and lowering. Do **not** exceed the max. permissible bearing capacity of the lifting equipment!

- Always carry out maintenance tasks in a clean location with good lighting. It must be possible to position the pump safely and secure it.
- Only carry out maintenance tasks mentioned in these installation and operating instructions.
- Wear the following protective equipment while performing maintenance tasks:
 - Safety goggles
 - Safety shoes
 - Safety gloves

9.1 Personnel qualifications

- Electrical work: A qualified electrician must carry out the electrical work.
- Maintenance tasks: The technician must be familiar with the use of operating fluids and their disposal. In addition, the technician must have basic knowledge of mechanical engineering.

9.2 Operator responsibilities

- Provide the necessary protective equipment and make sure that the personnel wears it.
- Collect operating fluids in suitable tanks and dispose of properly.
- Dispose of protective clothing used in accordance with regulations.
- Use only original parts of the manufacturer. Use of parts other than the original parts releases the manufacturer from any liability.
- Collect any leakage of fluid and operating fluid immediately and dispose of it according to the locally applicable guidelines.
- Provide the tools required.
- If flammable solvents and cleaning agents are used, open flames, naked lights and smoking are prohibited.

9.3 Operating fluid

9.3.1 Oil types

Biological white oil is filled-in into the sealing chamber. The following oil types are recommended when changing the oil:

- Aral Autin PL*
- Shell ONDINA 919
- Esso MARCOL 52* or 82*
- BP WHITEMORE WOM 14*
- Texaco Pharmaceutical 30* or 40*

All oil types marked with “*” are approved for use with foods in accordance with “USDA-H1”.

9.3.2 Filling quantities

The filling quantities depend on the pump type:

- Rexa UNI V05...: 600 ml (20 US.fl.oz.)
- Rexa UNI V06...: 1000 ml (34 US.fl.oz.)

9.4 Maintenance intervals

To ensure reliable operation, maintenance tasks must be carried out regularly. Depending on the real ambient temperatures, maintenance intervals different from those mentioned in the contract can be defined! If strong vibrations occur during operation, the pump and the installation must be checked regardless of the defined maintenance intervals.

9.4.1 Maintenance intervals for normal conditions

5 years or 1500 operating hours

- Visual inspection of the power supply cable
- Visual inspection of accessories
- Visual inspection of the housing for wear
- Function test of monitoring devices
- Oil change

9.4.2 Maintenance intervals for use in sewage lifting units

When the pump is used in sewage lifting units inside buildings or on plots of land, carry out maintenance intervals and measures in accordance with **DIN EN 12056-4!**

9.4.3 Maintenance intervals for harsh conditions

Under harsh operating conditions, specified maintenance intervals must be shortened if required. Harsh operating conditions include:

- Fluids with long-fibre components
- Turbulent inlet (e.g. due to air intake, cavitation)
- Strongly corroding or abrasive fluids
- Heavily gas generating fluids
- Operation at an unfavourable duty point
- Pressure surges

When using pumps under hard conditions, it is recommended to sign a maintenance contract. Contact customer service.

9.5 Maintenance measures



WARNING

Sharp edges on the impeller and suction port!

Sharp edges can form on the impeller and suction port. There is danger of limbs being severed! Protective gloves must be worn to protect from cuts.



WARNING

Hand, foot or eye injuries due to the absence of protective equipment!

Danger of (serious) injuries during work. Wear the following protective equipment:



- Safety gloves for protection against cuts
- Safety shoes
- Closed safety goggles

The following pre-requisites must be fulfilled prior to starting maintenance measures:

- Pump cooled down to the ambient temperature.
- Pump cleaned thoroughly and disinfected (if required).

9.5.1 Recommended maintenance measures

Regular inspection of power consumption and the operating voltage in all three phases is recommended for smooth operation. In normal operation, these values remain constant. Slight fluctuations depend on the characteristics of the fluid. Power consumption can provide an early indication of damage or malfunctions in the impeller, bearings or motor, which can be rectified. Larger voltage fluctuations strain the motor winding and can cause the pump to break down. Regular inspections can therefore largely prevent major secondary damage and reduce the risk of total breakdown. In this regard, it is recommended to use remote monitoring for regular inspections.

9.5.2 Visual inspection of the power supply cable

The power supply cables must be checked for:

- Bubbles
- Cracks
- Scratches
- Abrasion
- Crushing

If the power supply cables are damaged, the pump must be decommissioned immediately! Customer service must replace the damaged power supply cable. The pump may only be started up again once the damage has been properly remedied.

CAUTION! Water may penetrate into the pump due to the damaged power supply cables! Water ingress leads to total damage of the pump.

9.5.3 Visual inspection of accessories

Accessories must be checked for:

- Correct fixation
- Smooth function
- Wear symptoms

Any defects detected must be repaired immediately or the accessories must be replaced.

9.5.4 Visual inspection of the housing for wear

The housing parts are not allowed to have any apparent damage. Contact customer service if defects are detected!

9.5.5 Function test of the monitoring device

To test resistances, the pump must be cooled down to the ambient temperature!

9.5.5.1 Test the resistor of the temperature sensor

Measure the resistor of the temperature sensors with an ohmmeter. The bimetallic strips must have a measured value of 0 Ohm (passage).

9.5.6 Oil change in sealing chamber



WARNING

Operating fluid under high pressure!

A pressure of **several bar can build up** in the motor! This pressure escapes when the screw plugs are **opened**. If screw plugs are opened without due caution, they can be ejected at high speed! To avoid injuries, observe the following instructions:

- Adhere to the prescribed sequence of work steps.
- Unscrew the screw plugs slowly, but never unscrew them completely. As soon as the pressure escapes (audible whistling or hissing of air), stop turning the screw plug any further!
- When the pressure has completely dissipated, fully unscrew the screw plugs.
- Wear closed safety goggles.



WARNING

Scalding due to hot operating fluids!

Hot operating fluids can also spray out when the pressure is escaping. This can result in scalding! To avoid injuries, the following instructions must be observed:

- Allow the pump to cool down to the ambient temperature then open the screw plugs.
- Wear closed safety goggles or face protection and gloves.

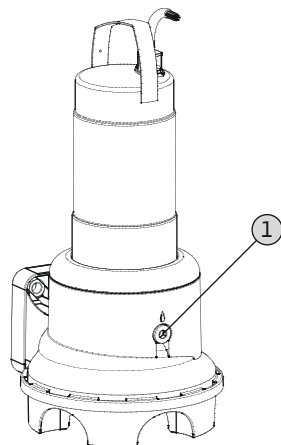


Fig. 11: Sealing chamber: Oil change

1	Screw plug sealing chamber
---	----------------------------

- ✓ Protective equipment has been put on!
- ✓ Pump has been dismantled and cleaned (decontaminated if required).

1. Position the pump horizontally on a firm surface. The screw plug points upwards. **WARNING! Risk of hands being crushed. Ensure that the pump cannot fall over or slip away!**
2. Unscrew the screw plug slowly, but do not unscrew it completely. **WARNING! Overpressure in the motor! Stop turning the screw plug further if hissing or whistling is audible! Wait until the pressure has completely dissipated.**
3. After the pressure has dissipated, fully unscrew the screw plug.
4. Place a suitable tank to collect the operating fluid.
5. Drain the operating fluid: Rotate the pump until the opening points downwards.
6. Check the operating fluid: Notify customer service if an operating fluid contains metal chips!

7. Pour in operating fluid: Rotate the pump until the opening points upwards. Fill-in the operating fluid into the opening.
 - ⇒ Comply with the specifications for operating fluid locations and quantity!
8. Clean the screw plug, replace the seal ring and screw it back in. **Max. tightening torque: 8 Nm (5.9 ft lb)!**

10 Faults, causes and remedies



DANGER

Danger due to fluids hazardous to health!

Danger of death in case of pumps with fluids hazardous to health! Wear the following protective equipment while performing the work:

- Closed safety goggles
- Breathing mask
- Protective gloves

⇒ **The equipment listed here is the minimum requirement, observe the specifications of the work regulations! The operator must make sure that the personnel have received and read the work regulations!**



DANGER

Risk of death due to electrocution!

Improper conduct when carrying out electrical work can lead to death due to electric shock! Electrical work must be carried out by a qualified electrician in accordance with the locally applicable regulations.



DANGER

Risk of fatal injury due to dangerous lone working practices!

Work in chambers and narrow rooms as well as work involving risk of falling are dangerous work. Such work may not be carried out autonomously! A second person must be present for safety reasons.

**WARNING****No persons are allowed to be present inside the working area of the pump!**

Persons may suffer (serious) injuries while the pump is in operation! No persons may therefore be present inside the working area. If persons must enter the working area of the pump, the pump must be decommissioned and secured against being switched on again without authorisation.

**WARNING****Sharp edges on the impeller and suction port!**

Sharp edges can form on the impeller and suction port. There is danger of limbs being severed! Protective gloves must be worn to protect from cuts.

Fault: Pump does not start

1. Electricity supply interrupted or short-circuit/earth fault in the cable or motor winding.
 - ⇒ Have the connection and motor checked by a qualified electrician and replace if necessary.
2. Tripping of fuses, of the motor protection switch or the monitoring equipment
 - ⇒ Have the connection and the monitoring equipment checked by a qualified electrician and change it if necessary.
 - ⇒ Have the motor protection switches and fuses installed and adjusted according to the technical specifications by a qualified electrician and reset monitoring equipment.
 - ⇒ Check the impeller to make sure that it runs smoothly, clean the hydraulics if necessary.

Fault: Pump starts up, motor protection trips after short period

1. Motor protection switch set incorrectly.
 - ⇒ Have the adjustment of the trigger checked and corrected by a qualified electrician.
2. Increased power consumption due to major voltage drop.
 - ⇒ Have the voltage of individual phases checked by a qualified electrician. Contact the electricity distribution network.
3. There are only two phases at the connection.
 - ⇒ Have the connection checked and corrected by a qualified electrician.
4. Excessive differences in voltage between the phases.

- ⇒ Have the voltage of individual phases checked by a qualified electrician. Contact the electricity distribution network.

5. Incorrect direction of rotation.
 - ⇒ Have the connection corrected by a qualified electrician.
6. Increased power consumption through jammed hydraulics.
 - ⇒ Clean the hydraulics and check the inlet.
7. The density of the fluid is too high.
 - ⇒ Contact customer service.

Fault: Pump runs, there is no volume flow

1. There is no fluid.
 - ⇒ Check the inlet, open all gate valves.
2. Inlet clogged.
 - ⇒ Check the inlet and remove clogging.
3. Hydraulics jammed.
 - ⇒ Clean the hydraulics.
4. Pipe system on the pressure side or pressure hose clogged.
 - ⇒ Remove clogging and replace the damaged components if necessary.
5. Intermittent operation.
 - ⇒ Check the switching system.

Fault: Pump starts, duty point is not reached

1. Inlet clogged.
 - ⇒ Check the inlet and remove clogging.
2. Slide valves on the pressure side closed.
 - ⇒ Open all gate valves completely.
3. Hydraulics jammed.
 - ⇒ Clean the hydraulics.
4. Incorrect direction of rotation.
 - ⇒ Have the connection corrected by a qualified electrician.
5. Air cushion in the pipe system.
 - ⇒ Vent the pipe system.
 - ⇒ If air cushions occur frequently: Locate and prevent the air intake, if required install ventilation systems at specified locations.
6. Pump pumping against excessive pressure.
 - ⇒ Open all gate valves on the pressure side completely.
 - ⇒ Check the impeller shape, use other impeller shapes if required. Contact customer service.
7. Signs of wear on the hydraulics.

⇒ Have the components (impeller, suction port, pump housing) checked and replaced by customer service.

8. Pipe system on the pressure side or pressure hose clogged.

⇒ Remove clogging and replace the damaged components if necessary.

9. Strongly gassing fluid.

⇒ Contact customer service.

10. There are only two phases at the connection.

⇒ Have the connection checked and corrected by a qualified electrician.

11. Excessive decrease in the fill level during operation.

⇒ Check supply/capacity of the system.

⇒ Have the switching points of the level control checked and adjusted if necessary.

Fault: The pump does not run smoothly and is noisy

1. Improper duty point.

⇒ Check the pump configuration and the duty point, contact customer service.

2. Hydraulics jammed.

⇒ Clean the hydraulics.

3. Strongly gassing fluid.

⇒ Contact customer service.

4. There are only two phases at the connection.

⇒ Have the connection checked and corrected by a qualified electrician.

5. Incorrect direction of rotation.

⇒ Have the connection corrected by a qualified electrician.

6. Signs of wear on the hydraulics.

⇒ Have the components (impeller, suction port, pump housing) checked and replaced by customer service.

7. Motor bearings have worn.

⇒ Inform customer service; send the pump back to the factory for overhauling.

8. Pump is installed under tension.

⇒ Check installation, install rubber compensators if necessary.

Further steps for troubleshooting

If the points listed here do not rectify the fault, customer service must be contacted. Customer service can provide the following remedies:

- Telephone or written support.
- On-site support.
- Inspection and repair of the pump at the factory.

Costs may be incurred if other services of the customer service are availed! For more details, please contact customer service.

11 Spare parts

Spare parts are ordered via customer service. To avoid return queries and incorrect orders, the serial or article number must always be supplied. **Subject to change without prior notice!**

12 Disposal

12.1 Oils and lubricants

Operating fluid must be collected in suitable tanks and disposed of in accordance with the locally applicable guidelines.

12.2 Protective clothing

Used protective clothing must be disposed of in accordance with the locally applicable guidelines.

12.3 Information on the collection of used electrical and electronic products

Proper disposal and appropriate recycling of this product prevents damage to the environment and danger to your personal health.



NOTICE

Disposal in domestic waste is forbidden!

In the European Union, this symbol can appear on the product, the packaging or the accompanying documentation. It means that the electrical and electronic products in question must not be disposed of along with domestic waste.

To ensure proper handling, recycling and disposal of the used products in question, please note the following points:

- Only hand over these products at designated, certified collecting points.
- Observe the locally applicable regulations!

Please consult your local municipality, the nearest waste disposal site, or the dealer who sold the product to you for information on proper disposal. Further recycling information can be found at www.wilo-recycling.com.







Wilo – International (Subsidiaries)

Argentina

WILO SALMSON
Argentina S.A.
C1295ABI Ciudad
Autónoma de Buenos Aires
T +54 11 4361 5929
carlos.musich@wilo.com.ar

Australia

WILO Australia Pty Limited
Murrarie, Queensland, 4172
T +61 7 3907 6900
chris.dayton@wilo.com.au

Austria

WILO Pumpen Österreich
GmbH
2351 Wiener Neudorf
T +43 507 507-0
office@wilo.at

Azerbaijan

WILO Caspian LLC
1065 Baku
T +994 12 5962372
info@wilo.az

Belarus

WILO Bel IOOO
220035 Minsk
T +375 17 3963446
wilo@wilo.by

Belgium

WILO NV/SA
1083 Ganshoren
T +32 2 4823333
info@wilo.be

Bulgaria

WILO Bulgaria EOOD
1125 Sofia
T +359 2 9701970
info@wilo.bg

Brazil

WILO Comercio e
Importacao Ltda
Jundiaí – São Paulo – Brasil
13.213-105
T +55 11 2923 9456
wilo@wilo-brasil.com.br

Canada

WILO Canada Inc.
Calgary, Alberta T2A 5L7
T +1 403 2769456
info@wilo-canada.com

China

WILO China Ltd.
101300 Beijing
T +86 10 58041888
wilobj@wilo.com.cn

Croatia

WILO Hrvatska d.o.o.
10430 Samobor
T +38 51 3430914
wilo-hrvatska@wilo.hr

Cuba

WILO SE
Oficina Comercial
Edificio Simona Apto 105
Siboney, La Habana. Cuba
T +53 5 2795135
T +53 7 272 2330
raul.rodriguez@wilo-cuba.com

Czech Republic

WILO CS, s.r.o.
25101 Cestlice
T +420 234 098711
info@wilo.cz

Denmark

WILO Danmark A/S
2690 Karlslunde
T +45 70 253312
wilo@wilo.dk

Estonia

WILO Eesti OÜ
12618 Tallinn
T +372 6 509780
info@wilo.ee

Finland

WILO Finland OY
02330 Espoo
T +358 207401540
wilo@wilo.fi

France

Wilo Salmson France S.A.S.
53005 Laval Cedex
T +33 2435 95400
info@wilo.fr

Great Britain

WILO (U.K.) Ltd.
Burton Upon Trent
DE14 2WJ
T +44 1283 523000
sales@wilo.co.uk

Greece

WILO Hellas SA
4569 Anixi (Attika)
T +302 10 6248300
wilo.info@wilo.gr

Hungary

WILO Magyarország Kft
2045 Törökbálint
(Budapest)
T +36 23 889500
wilo@wilo.hu

India

Wilo Mather and Platt Pumps
Private Limited
Pune 411019
T +91 20 27442100
services@matherplatt.com

Indonesia

PT. WILO Pumps Indonesia
Jakarta Timur, 13950
T +62 21 7247676
citrawilo@cbn.net.id

Ireland

WILO Ireland
Limerick
T +353 61 227566
sales@wilo.ie

Italy

WILO Italia s.r.l.
Via Novegro, 1/A20090
Segrate MI
T +39 25538351
wilo.italia@wilo.it

Kazakhstan

WILO Central Asia
050002 Almaty
T +7 727 312 40 10
info@wilo.kz

Korea

WILO Pumps Ltd.
20 Gangseo, Busan
T +82 51 950 8000
wilo@wilo.co.kr

Latvia

WILO Baltic SIA
1019 Riga
T +371 6714-5229
info@wilo.lv

Lebanon

WILO LEBANON SARL
Jdeideh 1202 2030
Lebanon
T +961 1 888910
info@wilo.com.lb

Lithuania

WILO Lietuva UAB
03202 Vilnius
T +370 5 2136495
mail@wilo.lt

Morocco

WILO Maroc SARL
20250 Casablanca
T +212 (0) 5 22 66 09 24
contact@wilo.ma

The Netherlands

WILO Nederland B.V.
1551 NA Westzaan
T +31 88 9456 000
info@wilo.nl

Norway

WILO Norge AS
0975 Oslo
T +47 22 804570
wilo@wilo.no

Poland

WILO Polska Sp. z o.o.
5-506 Lesznowola
T +48 22 7026161
wilo@wilo.pl

Portugal

Bombas Wilo-Salmson
Sistemas Hidraulicos Lda.
4475-330 Maia
T +351 22 2080350
bombas@wilo.pt

Romania

WILO Romania s.r.l.
077040 Com. Chiajna
Jud. Ilfov
T +40 21 3170164
wilo@wilo.ro

Russia

WILO Rus ooo
123592 Moscow
T +7 495 7810690
wilo@wilo.ru

Saudi Arabia

WILO Middle East KSA
Riyadh 11465
T +966 1 4624430
wshoula@wataniaind.com

Serbia and Montenegro

WILO Beograd d.o.o.
11000 Beograd
T +381 11 2851278
office@wilo.rs

Slovakia

WILO CS s.r.o., org. Zložka
83106 Bratislava
T +421 2 33014511
info@wilo.sk

Slovenia

WILO Adriatic d.o.o.
1000 Ljubljana
T +386 1 5838130
wilo.adriatic@wilo.si

South Africa

Wilo Pumps SA Pty LTD
1685 Midrand
T +27 11 6082780
patrick.hulley@salmson.co.za

Spain

WILO Ibérica S.A.
8806 Alcalá de Henares
(Madrid)
T +34 91 8797100
wilo.iberica@wilo.es

Sweden

WILO NORDIC AB
35033 Växjö
T +46 470 727600
wilo@wilo.se

Switzerland

Wilo Schweiz AG
4310 Rheinfelden
T +41 61 836 80 20
info@wilo.ch

Taiwan

WILO Taiwan CO., Ltd.
24159 New Taipei City
T +886 2 2999 8676
nelson.wu@wilo.com.tw

Turkey

WILO Pompa Sistemleri
San. ve Tic. A.Ş.
34956 İstanbul
T +90 216 2509400
wilo@wilo.com.tr

Ukraine

WILO Ukraina t.o.w.
08130 Kiev
T +38 044 3937384
wilo@wilo.ua

United Arab Emirates

WILO Middle East FZE
Jebel Ali Free zone – South
PO Box 262720 Dubai
T +971 4 880 9177
info@wilo.ae

USA

WILO USA LLC
Rosemont, IL 60018
T +1 866 945 6872
info@wilo-usa.com

Vietnam

WILO Vietnam Co Ltd.
Ho Chi Minh City, Vietnam
T +84 8 38109975
nkminh@wilo.vn

wilo

Pioneering for You

WILO SE
Nortkirchenstr. 100
44263 Dortmund
Germany
T +49 (0)231 4102-0
T +49 (0)231 4102-7363
wilo@wilo.com
www.wilo.com