



Uppgiftslämnaren reserverar sig för eventuella fel i produktinformationen eller felaktigt registrerade uppgifter och förbehåller sig rätten att korrigera och/eller komplettera produktinformation utan föregående avisering

1 GRUNDDATA

Varubeskrivning

Submersible Sewage Pump

Övriga upplysningar

Klassificeringar

ETIM ›	
BK04 ›	
BSAB ›	
UNSPSC ›	

Leverantörsuppgifter

Företagsnamn
WILO Nordic AB

Organisationsnummer
5560124769

Adress
Isbjörnsvägen 6

Hemsida
www.wilo.se

Miljökontaktperson

Namn
Wilo kundsupport

Telefon
0470-72 76 00

E-post
wilo@wilo.se

2 HÅLLBARHETSARBETE

Företagets certifiering

- ISO 9000
- ISO 14000

INNEHÅLLSDEKLARATION

Kemisk produkt	Nej
Omfattas varan av RoHS-direktivet	Ja
Innehåller produkten tillsatt nanomaterial, som är medvetet tillsatta för att uppnå en viss funktion	Nej
Varans vikt	31,8 - 68,5 kg

Vara / Delkomponenter

Koncentrationen har beräknats på hela varan

Ingående material /komponenter	Vikt-% i komponent	CAS-nr (alt legering)	EG-nr (alt legering)	Vikt % i produkt	Kommentar
Bly	0,1% - 2%	7439-92-1	231-100-4	0,1 - 2%	
Stainless steel	2,5% - 10%	1.4021/1.4401/1.4301/1.4528		2,5 - 10%	
electrical steel	10% - 25%	800-50-175		10 - 25%	
Gråjärn Gjutjärn EN-GJL-250	50% - 75%	Övrigt, metaller		50 - 75%	
Aluminium (fast)	2,5% - 10%	7429-90-5	231-072-3	2,5 - 10%	
Elastomer	2,5% - 10%	9005-98-5/9010-79-1/64754-90-1		2,5 - 10%	
Vit olja eller White Mineral Oil (Petroleum)	2,5% - 10%	8042-47-5	232-455-8	2,5 - 10%	
Bisfenol A och epiklorhydrin, reaktionsprodukt med medelmolekylvikt upp till 700	1% - 2,5%	25068-38-6	500-033-5	1 - 2,5%	
Wilco Ceram coating	2,5% - 10%	25068-38-6/9003-36-5/28064-14-4		2,5 - 10%	

Del av materialinnehållet som är deklarerat 100%

Särskilt farliga ämnen

Följande ämnen finns med på kandidatförteckningen i en koncentration och som överstiger 0,1 vikts-%:

-Bly

Utgåva av kandidatförteckningen som har använts

2019-01-15 00:00:00

Övrigt

Ämnen är redovisade ned till 0.1 viktprocent enligt iBVDs redovisningskrav. Eventuell avvikelse från redovisningskraven redovisas nedan.

4

RÅVAROR**Återvunnet material**

Innehåller varan återvunnet material: Vet ej

Träråvara

Träråvara ingår i varan: Nej

5

MILJÖPÅVERKAN

Finns en miljövarudeklaration framtagen enligt EN15804 eller ISO14025 för varan

Nej

Finns annan miljövarudeklaration

Nej

6

DISTRIBUTION

Beskrivning av emballagehantering för distribution av varan

Euro pallets and card board box

7

BYGGSCKEDET

Ställer varan särskilda krav vid lagring?

Ja

See operating manual

Ställer varan särskilda krav på omgivande byggvaror?

Vet ej

8

BRUKSSKEDET

Finns skötselansvisningar/skötselråd?

Ja

Finns en energimärkning enligt energimärkningsdirektivet (2010/30/EU) för varan?

Ej relevant

9

RIVNING

Kräver varan särskilda åtgärder för skydd av hälsa och miljö vid rivning/demontering? Nej

10

AVFALLSHANTERING

Omfattas den levererade varan av förordningen (2014:1075) om producentansvar för elektriska och elektroniska produkter när den blir avfall? Ja

Är återanvändning möjlig för hela eller delar av varan? Nej

Är materialåtervinning möjlig för hela eller delar av varan? Ja

Material recycling

Är energiåtervinning möjlig för hela eller delar av varan? Nej

Har leverantören restriktioner och rekommendationer för återanvändning, material- eller energiåtervinning eller deponering? Nej

När den levererade varan blir avfall, klassas den då som farligt avfall? Nej

Avfallskod (EWC) för den levererade varan Ej angivet

RSK-nummer	Eget Artikel-nr	GTIN
588 43 27	6069868	4048482385334
588 48 00	6064578	4048482226996
588 48 01	6064576	4048482226972
588 48 02	6064582	4048482227238
588 48 03	6064580	4048482227214
588 48 04	6064586	4048482227276
588 48 05	6064579	4048482227009
588 48 06	6064583	4048482227245
588 48 07	6064587	4048482227283
588 48 08	6064585	4048482227269
588 48 09	6064589	4048482227306
588 48 10	6064588	4048482227290
588 48 11	6064591	4048482227320
588 48 12	6064590	4048482227313
588 48 13	6064593	4048482227344
588 48 14	6064592	4048482227337
588 48 15	6064595	4048482227368
588 48 16	6064594	4048482227351
588 48 17	6064599	4048482227405
588 48 18	6064597	4048482227382
588 48 19	6064703	4048482227443
588 48 20	6064701	4048482227429
588 48 21	6064705	4048482227467
588 48 22	6064704	4048482227450
588 48 23	6064707	4048482227481
588 48 24	6064706	4048482227474
588 48 25	6064709	4048482227504
588 48 26	6064708	4048482227498
588 48 27	6064711	4048482227528
588 48 28	6064713	4048482227542
588 48 29	6064715	4048482227566
588 48 30	6064716	4048482227573
588 48 31	6064717	4048482227580
588 48 49	6065918	4048482265490
588 48 50	6065920	4048482265513
588 48 51	6065922	4048482265537
588 48 52	6065924	4048482265551
588 48 53	6065926	4048482265575
588 48 54	6065928	4048482265599
588 48 55	6065929	4048482265605
588 48 56	6065931	4048482265629
588 48 57	6065932	4044966554708

588 52 58	6064584	4048482227252
588 52 84	6075983	4048482564227
588 53 52	6080483	4048482702377
588 53 53	6080486	4048482702407
588 53 58	6081534	4048482739311
588 53 59	6081535	4048482739328
588 53 60	6081536	4048482739335
588 53 95	6081900	4048482749143
588 53 96	6081901	4048482749150
588 53 97	6081902	4048482749167
588 53 98	6081903	4048482749181
588 53 99	6081904	4048482749198

Produktdatablad

Prestandadeklaration

Säkerhetsblad

Miljövarudeklaration

Skötselansvisning

Övriga bifogade dokument

-om_wilo_rexa_cut_gi.pdf

-om_wilo_rexa_fit.pdf

Wilo-Rexa CUT GI



en Installation and operating instructions



Table of contents

1	General information	5
1.1	About these instructions	5
1.2	Copyright	5
1.3	Subject to change	5
1.4	Warranty	5
2	Safety	5
2.1	Identification of safety instructions	5
2.2	Personnel qualifications	6
2.3	Electrical work	6
2.4	Monitoring devices	7
2.5	Use in fluids hazardous to health	7
2.6	Transport	7
2.7	Installing/dismantling	7
2.8	During operation	7
2.9	Maintenance tasks	8
2.10	Operating fluid	8
2.11	Operator responsibilities	8
3	Application/use	8
3.1	Intended use	8
3.2	Improper use	9
4	Product description	9
4.1	Design	9
4.2	Monitoring devices	10
4.3	Operating modes	10
4.4	Operation with frequency converter	10
4.5	Operation in an explosive atmosphere	10
4.6	Technical data	10
4.7	Type key	10
4.8	Scope of delivery	11
4.9	Accessories	11
5	Transportation and storage	11
5.1	Delivery	11
5.2	Transport	11
5.3	Storage	12
6	Installation and electrical connection	12
6.1	Personnel qualifications	12
6.2	Installation types	12
6.3	Operator responsibilities	12
6.4	Installation	13
6.5	Electrical connection	16
7	Commissioning	18
7.1	Personnel qualifications	19

7.2	Operator responsibilities.....	19
7.3	Direction of rotation check (for three-phase current motors only).....	19
7.4	Before switching on.....	19
7.5	Switching on and off.....	19
7.6	During operation.....	19
8	Decommissioning/dismantling.....	20
8.1	Personnel qualifications.....	20
8.2	Operator responsibilities.....	20
8.3	Decommissioning.....	20
8.4	Removal.....	21
9	Maintenance and repair.....	22
9.1	Personnel qualifications.....	22
9.2	Operator responsibilities.....	22
9.3	Operating fluid.....	22
9.4	Maintenance intervals.....	22
9.5	Maintenance measures.....	23
9.6	Repairs.....	25
10	Faults, causes and remedies.....	26
11	Spare parts.....	28
12	Disposal.....	28
12.1	Oils and lubricants.....	28
12.2	Protective clothing.....	28
12.3	Information on the collection of used electrical and electronic products.....	28
13	Appendix.....	28
13.1	Tightening torques.....	28

1 General information

1.1 About these instructions

These installation and operating instructions are an integral part of the product. Read these instructions before commencing work and keep them in an accessible place at all times. Strict adherence to these instructions is a requirement for intended use and correctly operating the product. All specifications and markings on the product must be observed.

The language of the original operating instructions is German. All other languages of these instructions are translations of the original operating instructions.

1.2 Copyright

These installation and operating instructions have been copyrighted by the manufacturer. The contents, of whatever type, may not be reproduced or distributed, or used for purposes of competition and shared with others.

1.3 Subject to change

The manufacturer reserves the right to make technical modifications to the product or individual components. The illustrations used may differ from the original and are intended as an example representation of the product.

1.4 Warranty

The specifications in the current "General Terms and Conditions" apply to the warranty and the warranty period. These can be found at www.wilo.com/legal
Any deviations must be contractually agreed and shall then be given priority.

Claim to warranty

If the following points are complied with, the manufacturer is obligated to rectify every qualitative or constructive flaw:

- The defects are reported in writing to the manufacturer within the warranty period.
- Application according to intended use.
- All monitoring devices are connected and tested before commissioning.

Exclusion of liability

Exclusion from liability excludes all liability for personal injury, material damage or financial losses. This exclusion ensues as soon as one of the following applies:

- Inadequate configuration due to inadequate or incorrect instructions by the operator or the client
- Non-compliance with installation and operating instructions
- Improper use

- Incorrect storage or transport
- Incorrect installation or dismantling
- Insufficient maintenance
- Unauthorised repairs
- Inadequate construction site
- Chemical, electrical or electro-chemical influences
- Wear

2 Safety

This chapter contains basic information which must be adhered to during the individual phases of the life cycle. Failure to follow the installation and operating instructions will result in injuries to persons, damage to the environment and the device and result in the loss of any claims for damages. Failure to follow the instructions can result in the following risks:

- Injury to persons from electrical, mechanical and bacteriological factors as well as electromagnetic fields
- Environmental damage from leakage of hazardous substances
- Property damage
- Failure of important functions of the product

Additionally, the instructions and safety instructions in the other chapters must be observed!

2.1 Identification of safety instructions

These installation and operating instructions set out safety instructions for preventing personal injury and damage to property. These safety instructions are shown differently:

- Safety instructions relating to personal injury start with a signal word, are **preceded by a corresponding symbol** and are shaded in grey.



DANGER

Type and source of the danger!

Consequences of the danger and instructions for avoidance.

- Safety instructions relating to property damage start with a signal word and are displayed **without** a symbol.

CAUTION

Type and source of the danger!

Consequences or information.

Signal words

- **DANGER!**
Failure to observe the safety instructions will result in serious injuries or death!
- **WARNING!**
Failure to follow the instructions can lead to (serious) injuries!
- **CAUTION!**
Failure to follow the instructions can lead to property damage and a possible total loss.
- **NOTICE!**
Useful information on handling the product

Symbols

These instructions use the following symbols:

-  Danger of electric voltage
-  Danger of bacterial infection
-  Danger of explosion
-  General warning symbols
-  Warning of crushing
-  Warning of cutting injuries
-  Warning of hot surfaces
-  Warning of high pressure
-  Warning of suspended loads
-  Personal protective equipment: Wear a safety helmet
-  Personal protective equipment: Wear foot protection
-  Personal protective equipment: Wear hand protection
-  Personal protective equipment: Wear mouth protection
-  Personal protective equipment: Wear safety goggles
-  Autonomous work prohibited! A second person must be present.
-  Useful information

Markups

- ✓ Prerequisite
- 1. Work step/list
⇒ Notice/instructions
- ▶ Result

2.2 Personnel qualifications

Personnel must:

- Be instructed about locally applicable regulations governing accident prevention.
 - Have read and understood the installation and operating instructions.
- Personnel must have the following qualifications.
- **Electrical work:** A qualified electrician must carry out the electrical work.
 - **Installation/dismantling:** The technician must be trained in the use of the necessary tools and fixation materials for the relevant construction site.
 - **Maintenance tasks:** The technician must be familiar with the use of operating fluids and their disposal. In addition, the technician must have basic knowledge of mechanical engineering.

Definition of “qualified electrician”

A qualified electrician is a person with appropriate technical education, knowledge and experience who can identify **and** prevent electrical hazards.

2.3 Electrical work

- A qualified electrician must carry out the electrical work.
- When connecting to the mains, comply with the locally applicable laws and regulations of the local energy supply company.
- Before commencing work, disconnect the device from the mains and secure it against being switched on again without authorisation.
- Personnel are trained on the execution of the electrical connection and the options for switching off the device.
- Comply with the technical specifications contained in these installation and operating instructions and on the rating plate.
- Earth the device.
- Observe the manufacturer’s specifications when connecting to electrical switching systems.
- Comply with the specifications on electro-magnetic compatibility when connecting electronic start-up controllers (e.g. soft starter or frequency converter). If required, take into account special measures (e.g. shielded cables, filters etc.).

- Replace defective power supply cables immediately. Contact customer service.

2.4 Monitoring devices

The following monitoring devices must be provided on-site:

Circuit breaker

The size of the circuit breakers conforms to the rated current of the pump. The switching characteristics should comply with group B or C. Observe local regulations.

Motor protection switch

Make provision for an on-site motor protection switch for devices without a plug! The minimum requirement is a thermal relay/motor protection switch with temperature compensation, differential triggering and anti-reactivation device in accordance with the local regulations. In case of sensitive mains, make provision for the installation on-site of other protective equipment (e.g. over-voltage, undervoltage or phase failure relay, etc.).

Residual-current device (RCD)

Comply with the regulations of the local energy supply company! The use of a residual-current device is recommended.

If persons come into contact with the device and conductive fluids, secure the connection **with** a residual-current device (RCD).

2.5 Use in fluids hazardous to health

There is a danger of bacterial infection when using the device in fluids hazardous to health! Thoroughly clean and disinfect the device after dismantling and prior to further use. The operator must ensure the following:

- The following protective equipment is provided and worn when cleaning the device:
 - Closed safety goggles
 - Breathing mask
 - Protective gloves
- All persons are informed about the fluid, the associated danger and its correct handling!

2.6 Transport

- The following protective equipment must be worn:
 - Safety shoes
 - Safety helmet (when using lifting equipment)
- Always hold the handle to transport the device. Never pull the power supply cable!
- Only use legally specified and approved lifting gear.

- Select the lifting gear based on the existing conditions (weather, attachment point, load, etc.).
- Always attach the lifting gear to the attachment points (handle or lifting eyelet).
- The stability of the lifting equipment must be ensured during operation.
- When using lifting equipment, a second person must be present to coordinate the procedure if required (e.g. if the operator's field of vision is blocked).
- Persons are not permitted to stand beneath suspended loads. Do **not** carry suspended loads over workplaces where people are present.

2.7 Installing/dismantling

- Wear the following protective equipment:
 - Safety shoes
 - Safety gloves for protection against cuts
 - Safety helmet (when using lifting equipment)
- Locally applicable laws and regulations for work safety and accident prevention must be complied with.
- Disconnect the device from the mains and secure it against being switched on again without authorisation.
- All rotating parts must be at a standstill.
- Provide adequate aeration in closed rooms.
- When working in chambers and closed spaces, a second person must be present for safety reasons.
- Take immediate countermeasures if there is a build-up of toxic or suffocating gases!
- Clean the device thoroughly. Disinfect devices that are used in fluids hazardous to health!
- Make sure that there is no risk of explosion when carrying out any type of welding work or work with electrical devices.

2.8 During operation

- Wear the following protective equipment:
 - Safety shoes
 - Ear protection (in accordance with the notice of the work regulations)
- Work area of the device is not a recreational area. No persons are allowed in the work area during operation.
- The operator must immediately report any faults or irregularities to their line manager.
- If safety-endangering defects occur, the operator must immediately deactivate the device:
 - Malfunction of the safety and monitoring device
 - Damage to the housing parts
 - Damage to the electrical equipment
- Never reach into the suction port. The rotating parts can crush and sever limbs.

- If the motor emerges during operation, the motor housing can heat up to above 40 °C (104 °F).
- Open all gate valves in the piping on the suction and pressure side.
- Ensure minimum water submersion through dry-running protection.
- Under normal operating conditions, the sound pressure level of the device is below 85 dB(A). However, the actual sound-pressure level depends on several factors:
 - Installation depth
 - Installation
 - Fixation of accessories and pipe
 - Duty point
 - Immersion depth
- If the device is operated under normal operating conditions, the operator must measure the sound pressure. Ear protection must be worn for sound pressure levels of 85 dB(A) and above and this must be noted in the work regulations!

2.9 Maintenance tasks

- Wear the following protective equipment:
 - Closed safety goggles
 - Safety shoes
 - Safety gloves for protection against cuts
- Always carry out maintenance tasks outside the operating space/installation site.
- Only carry out maintenance tasks mentioned in these installation and operating instructions.
- Only original parts from the manufacturer may be used for maintenance and repairs. Use of parts other than the original parts releases the manufacturer from any liability.
- Collect any leakage of fluid and operating fluid immediately and dispose of it according to the locally applicable guidelines.
- Store tools at the designated locations.
- After completing work, reattach all safety and monitoring devices and check that they function properly.

Changing operating fluid

In case of a defect, a pressure **of several bar can build up** in the motor! This pressure escapes when the screw plugs are **opened**. If screw plugs are opened without due caution, they can be ejected at high speed! To avoid injuries, observe the following instructions:

- Adhere to the prescribed sequence of work steps.
- Unscrew the screw plugs slowly, but never unscrew them completely. As soon as the pressure escapes (audible

whistling or hissing of air), stop turning the screw plug any further.

WARNING! Hot operating fluids can also spray out when the pressure is escaping. This can result in scalding! To avoid injuries, allow the motor to cool down to the ambient temperature before carrying out any work!

- When the pressure has completely dissipated, fully unscrew the screw plug.

2.10 Operating fluid

In the sealing chamber, the motor is filled with white oil. Operating fluid must be replaced during regular maintenance work and disposed off according to the local guidelines.

2.11 Operator responsibilities

- Installation and operating instructions must be in a language which the personnel can understand.
- Make sure that the personnel is relevantly trained for the specified work.
- Provide the necessary protective equipment and make sure that the personnel wears it.
- Safety and information signs mounted on the device must be always legible.
- Train the personnel pertaining to the functioning of the system.
- Eliminate risk from electrical current.
- Equip hazardous components inside the system with an on-site guard.
- Identify and cordon off the work area.
- To ensure safe working practice, define the responsibilities of the employees.

Children and persons younger than 16 years or with reduced physical, sensory or mental capacities or limited experience are prohibited from handling the product! A technician must supervise persons younger than 18 years!

3 Application/use

3.1 Intended use

Submersible pumps are suitable for pumping:

- Sewage containing faeces
- Wastewater (with small amounts of sand and gravel)
- Fluids with dry matter up to max. 8 %

**NOTICE****Cleaning cloths and wipes can cause clogging in the macerator!**

To prevent cleaning cloths and wipes in the fluid, mechanically pre-clean the incoming fluid.

3.2 Improper use**DANGER****Explosion due to pumping of explosive fluids!**

Pumping of highly flammable and explosive fluids (gasoline, kerosene, etc.) in pure form is strictly prohibited. There is a risk of fatal injury due to explosion! The pumps are not designed for these fluids.

**DANGER****Danger due to fluids hazardous to health!**

If the pump is used in fluids hazardous to health, decontaminate the pump after dismantling and before carrying out any other work! There is a risk of fatal injury! Observe the specifications in the work regulations! The operator must make sure that the personnel have received and read the work regulations!

The submersible pumps must **not be used** for pumping:

- Drinking water
- Fluids containing hard components (such as stones, wood, metal, etc.)
- Fluids containing large quantities of abrasive contents (e.g. sand, gravel)

Intended use also includes compliance with this manual. Any other use is regarded as non-compliant with the intended use.

4 Product description**4.1 Design**

Submersible sewage pump with internal macerator as a submersible monobloc unit for intermittent operation in wet well installation.

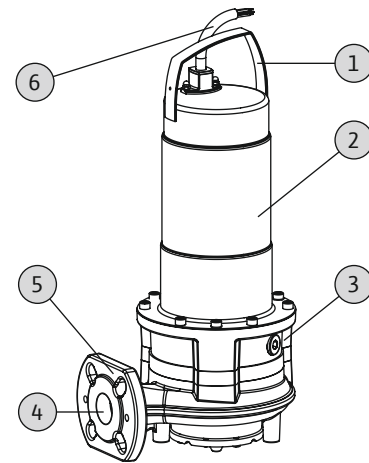


Fig. 1: Overview

1	Handle/attachment point
2	Motor housing
3	Seal housing
4	Pressure connection
5	Hydraulics housing
6	Power supply cable

4.1.1 Hydraulics

Centrifugal hydraulics with upstream macerator. The macerator breaks up admixtures suitable for cutting for transfer in a 1¼" pressure pipe or larger. The pressure side connection is designed as a horizontal flange connection.

The hydraulics are not self-priming, in other words, the fluid must flow in either automatically or with supply pressure.

4.1.2 Motor

The drive versions used are single-phase current and three-phase current surface-cooled motors. The motor is cooled by the fluid around it. The waste heat is transferred directly to the fluid or the ambient air via the motor housing. The motor may emerge during operation.

The connection cable is available in the following versions:

- Single-phase current version with shockproof plug
On AC motors, the start capacitor and operating capacitor is installed in a capacitor switchgear.
- Three-phase current version with bare cable end

4.1.3 Seal

The seal for the fluid and the motor compartment is made via two mechanical seals. The sealing chamber between the mechanical seals is filled with medical white oil.

4.1.4 Material

- Pump housing: EN-GJL-250 (ASTM A48 Class 35/40B)
- Impeller: EN-GJL-250 (ASTM A48 Class 35/40B)
- Macerator: 1.4528 (AISI 440B+Co)
- Motor housing: Stainless steel AISI 1.4301 (304)
- Shaft: 1.4401 (AISI 316)
- Seal on the motor side: C/MgSiO₄
- Seal on the fluid side: SiC/SiC
- Seal, static: NBR (Nitrile)

4.1.5 Fitted accessories

Plug

In the "P" version, a shockproof plug is attached. The plug is designed for use in commercially available shock-proof sockets and is **not** overflow-proof.

4.2 Monitoring devices

Monitoring of motor winding

The thermal motor monitoring protects the motor winding from overheating. Temperature limiter with bimetallic strip is fitted as standard.

Thermal motor monitoring is self-switching for single-phase current motors, i.e. if the motor is switched off due to overheating and then cools down, it is automatically switched on again.

For three-phase current motors, the thermal motor monitoring must be connected in the switchgear or plug.

Sealing chamber monitoring

The sealing chamber can be equipped with an external pencil electrode. The electrode registers fluid ingress through the mechanical seal on the fluid side. An alarm or deactivation of the pump can therefore take place through pump control.

4.3 Operating modes

Operating mode S1: Continuous duty

The pump can operate continuously at the rated load without exceeding the permissible temperature.

Operating mode S2: Short-time duty

The maximum operating period is specified in minutes, e.g. S2-15. The pause must last until the machine temperature no longer differs from the temperature of the coolant by more than 2 K.

Operating mode S3: Intermittent periodic duty

This operating mode defines a switching cycle in a combination of periods of operation and standstill. Specified value (e.g. S3 25 %) relates to the operating time. The switching cycle has a duration of 10 min.

If two values (e.g. S3 25 %/120 s) are specified, the first value relates to the operating time. The second value specifies the max. period of the switching cycle.

4.4 Operation with frequency converter

Operation on the frequency converter is not permitted.

4.5 Operation in an explosive atmosphere

Operation in an explosive atmosphere is not permitted.

4.6 Technical data

General	
Mains connection [U/f]	See rating plate
Power consumption [P ₁]	See rating plate
Rated power [P ₂]	See rating plate
Maximum delivery head [H]	See rating plate
Max. volume flow [Q]	See rating plate
Activation type [AT]	See rating plate
Fluid temperature [t]	3...40 °C
Pressure connection	DN 32/DN 40/Rp 1¼
Protection class	IP68
Insulation class [Cl.]	F
Speed [n]	See rating plate
Max. switching frequency	30/h
Max. immersion depth [8]	See rating plate
Cable length (standard version)	10 m
Explosion protection	-
Operating modes	
Immersed [OTs]	S1
Non-immersed [OTe]	S2-15, S3 10 %*

* Operating mode S3 25 % is permitted if the necessary motor cooling is guaranteed before the motor is switched on again! To ensure the required cooling, the motor must be completely immersed for at least 1 min.

4.7 Type key

Example: Wilo-Rexa CUT GI03.31/S-M15-2-523/P	
CUT	Series
GI	Grinder pump with internal macerator
03	Nominal diameter of the pressure connection: DN 32
31	Max. delivery head in m

Example: Wilo-Rexa CUT GI03.31/S-M15-2-523/P

S	Surface-cooled motor with stainless steel housing
M	Mains connection version: M = 1~, T = 3~
15	/10 = rated power P_2 in kW
2	Number of poles
5	Frequency mains connection: 5 = 50 Hz, 6 = 60 Hz
23	Code for rated voltage
Additional electrical equipment:	
P	Without = with bare cable end P = with plug

4.8 Scope of delivery

- Pump
- Cable with plug or bare cable end
- Single-phase current version with capacitor switchgear
- Installation and operating instructions

4.9 Accessories

- Cable lengths in fixed length increments of 10 m (33 ft) up to max. 30 m (99 ft) in single-phase current version or max. 50 m (164 ft) in three-phase current version
- Suspension unit
- Pump support foot
- External pencil electrode for sealing chamber control
- Level control devices
- Fixation accessories and chains
- Switchgear, relays and plugs

5 Transportation and storage**5.1 Delivery**

After receiving the shipment, this must be checked immediately for defects (damage, completeness). Defects must be noted on the freight documentation! Furthermore, defects must be notified to the transport company or the manufacturer immediately on the day of receipt of shipment. Subsequently notified defects can no longer be asserted.

5.2 Transport**WARNING****Standing under suspended loads!**

Never allow anyone to stand under suspended loads! Danger of (serious) injuries caused by falling parts. Loads may not be carried over work places where people are present!

**WARNING****Head and foot injuries due to a lack of protective equipment!**

Danger of (serious) injuries during work. Wear the following protective equipment:

- Safety shoes
- Safety helmet must be worn if lifting equipment are used!

**NOTICE****Only use lifting equipment in a technically sound condition!**

Only use lifting equipment in a technically sound condition for lifting, lowering and transporting the pump. Ensure that the pump does not become jammed during lifting and lowering. Do **not** exceed the max. permissible bearing capacity of the lifting equipment!

CAUTION**Soaked packaging may tear!**

The product may fall on the ground if unprotected and may be damaged. Lift wet packaging carefully and replace it immediately!

Only remove the outer packaging at the place of utilisation to ensure that the pump is not damaged during transport. Use tear-proof plastic sacks of sufficient size to package used pumps for transport in a leak-proof manner.

The following points must also be observed:

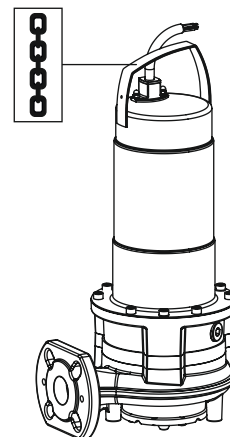


Fig. 2: Attachment point

- Adhere to the applicable national safety regulations.
- Use legally specified and approved lifting gear.
- Select the lifting gear based on the existing conditions (weather, attachment point, load, etc.).

- Only attach the lifting gear to the attachment point. Fix with a shackle.
- Use lifting equipment with sufficient bearing capacity.
- The stability of the lifting equipment must be ensured during operation.
- When using lifting equipment, a second person must be present to coordinate the procedure if required (e.g. if the operator's field of vision is blocked).

5.3 Storage



DANGER

Danger due to fluids hazardous to health!

If the pump is used in fluids hazardous to health, decontaminate the pump after dismantling and before carrying out any other work! There is a risk of fatal injury! Observe the specifications in the work regulations! The operator must make sure that the personnel have received and read the work regulations!



WARNING

Attached macerator: sharp edges on the cutting plate and rotating blade!

The macerator can cause amputation of limbs! Wear safety gloves to protect against cuts and never reach into the macerator!

CAUTION

Defective macerator due to incorrect storage!

Storage without the use of transportation bolts damages the macerator! Always screw on the transportation bolts before storing the pump.

CAUTION

Defective macerator due to objects lying around!

Hard objects can damage the macerator! When setting down, ensure that no objects come into contact with the macerator.

CAUTION

Total damage due to moisture ingress

Moisture ingress in the power supply cable damages the power supply cable and the pump! Never immerse the end of the power supply cable in a fluid and firmly seal it during storage.

Newly supplied pumps can be stored for one year. Contact customer service to store the pump for more than one year.

The following must be observed for storage:

- Place the pump upright (vertical) on a firm bearing surface and **secure it against slipping and falling over!**
- The max. storage temperature is -15 °C to $+60\text{ °C}$ (5 °F to 140 °F) at a max. relative humidity of 90 %, non-condensing. Frost-proof storage at a temperature of 5 °C to 25 °C (41 °F to 77 °F) with relative humidity of 40 % to 50 % is recommended.
- Do not store the pump in rooms in which welding work is carried out. The resulting gases or radiation can corrode the elastomer parts and coatings.
- Seal the suction and pressure connection tightly.
- Protect power supply cables against kinking and damage.
- Protect the pump from direct sunlight and heat. Extreme heat can cause damage to the impellers and the coating!
- Elastomer parts and the coating are subject to natural brittleness. Contact customer service if the pump must be stored for more than 6 months.

After storage, remove any dust and oil from the pump and check the coating for damage. Repair damaged coatings before further use.

6 Installation and electrical connection

6.1 Personnel qualifications

- Electrical work: A qualified electrician must carry out the electrical work.
- Installation/dismantling: The technician must be trained in the use of the necessary tools and fixation materials for the relevant construction site.

6.2 Installation types

- Vertical stationary wet well installation with suspension unit
 - Vertical portable wet well installation with pump support foot
- The following installation types are **not** permitted:
- Dry well installation
 - Horizontal installation

6.3 Operator responsibilities

- Observe locally applicable accident prevention and safety regulations of trade associations.
- Observe all regulations for working with heavy loads and under suspended loads.
- Provide protective equipment and ensure that the protective equipment is worn by personnel.

- Observe local sewage technology regulations for the operation of sewage systems.
- Avoid pressure surges!
Pressure surges can occur in long pressure pipes with steep terrain. These pressure surges can lead to the destruction of the pump!
- Ensure the cooling time of the motor depending on the operating conditions and the size of the pump chamber.
- Structural components and foundations must be of sufficient stability in order to allow the device to be fixed securely and functionally. The operator is responsible for the provision and suitability of the structural component/foundation!
- Check that the available consulting documents (installation plans, design of the operating space, inflow conditions) are complete and correct.

6.4 Installation



DANGER

Risk of fatal injury due to dangerous lone working practices!

Work in chambers and narrow rooms as well as work involving risk of falling are dangerous work. Such work may not be carried out autonomously! A second person must be present for safety reasons.



WARNING

Hand and foot injuries due to lack of protective equipment!

Danger of (serious) injuries during work. Wear the following protective equipment:



- Safety gloves for protection against cuts
- Safety shoes
- Safety helmet must be worn if lifting equipment are used!



NOTICE

Only use lifting equipment in a technically sound condition!

Only use lifting equipment in a technically sound condition for lifting, lowering and transporting the pump. Ensure that the pump does not become jammed during lifting and lowering. Do **not** exceed the max. permissible bearing capacity of the lifting equipment!



NOTICE

Emerging of the motor during operation

If the motor emerges during operation, the specifications for "Operating mode non-immersed" must be complied with!

To ensure that the motor is cooled during continuous duty, the motor must be immersed completely before switching it on again!

- Prepare operating space/installation location as follows:
 - Clean, free of coarse solids
 - Dry well
 - Frost-free
 - Decontaminated
- Take immediate countermeasures if there is a build-up of toxic or suffocating gases!
- Use the handle for lifting, lowering and transporting the pump. Never carry or drag the pump by the power supply cable!
- It must be possible to attach lifting equipment safely. The storage place and the operating space/installation site must be accessible with the lifting equipment. The set-down location must have a solid bearing surface.
- Attach the lifting gear to the handle using a shackle. Only use lifting gear which has been technically approved.
- The routed power supply cables must allow safe operation. Check whether the cable cross-section and the cable length are sufficient for the selected installation type.
- The corresponding IP class must be observed when using switchgear. Install the switchgear overflow-proof and outside potentially explosive areas!
- Avoid air intake into the fluid, use baffles or deflector plates for the inlet. Air which has entered the system can collect in the pipe system and lead to impermissible operating conditions. Air pockets must be removed via ventilation systems!
- A dry run of the pump is prohibited! Avoid air pockets in the hydraulics housing or in the pipe system. Ensure the water level never falls below the minimum. The installation of a dry-running protection is recommended!

6.4.1 Indications for double pump operation

If several pumps are used in an operating space, minimum distances between the pumps and the wall must be complied with. Here there is a difference in the distances depending on the type of system: Alternating operation or parallel operation.

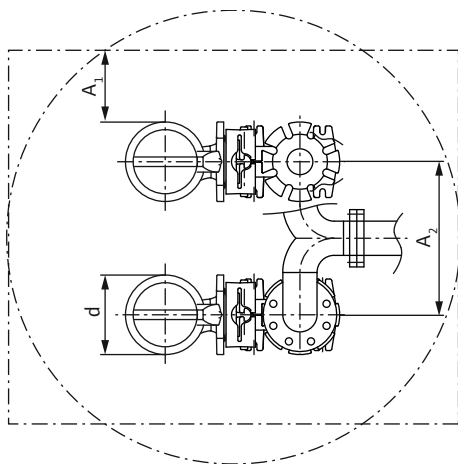


Fig. 3: Minimum distances

d	Diameter hydraulics housing
A ₁	Minimum distance from the wall: - alternating operation: min. $0.3 \times d$ - parallel operation: min. $1 \times d$
A ₂	Distance to pressure pipes - alternating operation: min. $1.5 \times d$ - parallel operation: min. $2 \times d$

6.4.2 Maintenance tasks

After a storage period of more than 6 months, check the oil in the sealing chamber prior to installation:

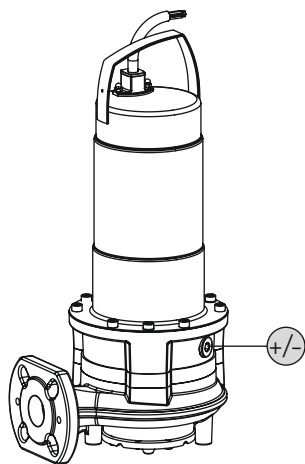


Fig. 4: Check the oil

+/-	Screw plug sealing chamber
-	

- ✓ Pump is **not** installed.
- ✓ Pump is **not** connected to the mains.
- ✓ Protective equipment has been put on!

1. Place the pump horizontally on a firm surface. The screw plug points upwards. **WARNING! Risk of hands being crushed. Ensure that the pump cannot fall over or slip away!**

2. Unscrew the screw plug.
3. Place a suitable tank to collect the operating fluid.
4. Drain the operating fluid: Rotate the pump until the opening points downwards.
5. Check the operating fluid:
 - ⇒ If the operating fluid is clear, reuse operating fluid.
 - ⇒ If the operating fluid is contaminated (black), fill with new operating fluid. Dispose of operating fluid in accordance with the local regulations!
 - ⇒ Notify customer service if an operating fluid contains metal chips!
6. Pour in operating fluid: Rotate the pump until the opening points upwards. Fill-in the operating fluid into the opening.
 - ⇒ Comply with the specifications for operating fluid locations and quantity! When recycling the operating fluid, check the quantity and if required adjust it!
7. Clean the screw plug, replace the seal ring and screw it back in. **Max. tightening torque: 8 Nm (5.9 ft lb)!**

6.4.3 Stationary wet well installation



NOTICE

Delivery problems due to water level being too low

If the level of the fluid is lowered too much, the volume flow can be interrupted. Air cushions can also form in the hydraulics, which can lead to inadmissible operational behaviour. The minimum permissible water level must reach the upper edge of the hydraulics housing!

The pump is installed in the fluid for the wet well installation. For this, a suspension unit must be installed in the chamber. On the pressure side, the on-site pipe system is connected to the suspension unit and on the suction side to the pump. The connected pipe system must be self-supporting. The suspension unit must **not** support the pipe system!

CAUTION! If the motor emerges during operation, observe the operating mode for non-immersed operation (S2-15, S3 10 %*)!

* Operating mode S3 25 % is permitted if the necessary motor cooling is guaranteed before the motor is switched on again! To ensure the required cooling, the motor must be completely immersed for at least 1 min.

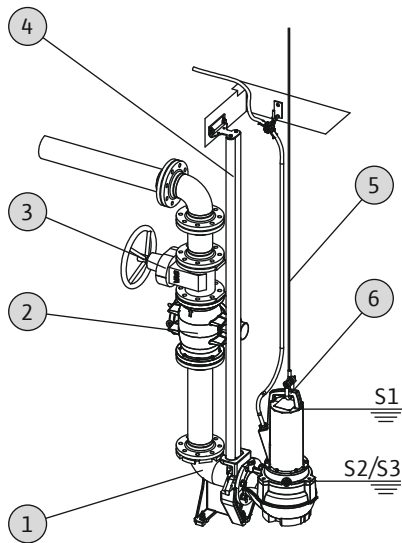
Work steps

Fig. 5: Stationary wet well installation

1	Suspension unit
2	Non-return valve
3	Stop valve
4	Guide pipe (provided by the customer)
5	Lifting equipment
6	Attachment point for the lifting equipment

- ✓ Operating space/installation location is prepared for the installation.
- ✓ Suspension unit and pipe system were installed.
- ✓ Pump is prepared for operation on the suspension unit.
 1. Use a shackle to attach the lifting equipment to the attachment point of the pump.
 2. Lift the pump, swivel it above the chamber opening and slowly lower the guide claw onto the guide pipe.
 3. Lower the pump until it sets on the suspension unit and is connected automatically. **CAUTION! Hold the power supply cables slightly taut when lowering the pump!**
 4. Loosen the lifting equipment from the lifting gear and secure it at the chamber outlet against falling.
 5. Have the power supply cables routed into the chamber by a qualified electrician and route it outside properly from the chamber.
- ▶ The pump is installed, the qualified electrician can make the electrical connection.

6.4.4 Portable wet well installation**WARNING****Risk of burns from hot surfaces!**

Motor housing can become hot during operation. It may cause burns. Allow the pump to cool down at ambient temperature after switching it off!

**WARNING****Separation of pressure hose!**

Separation or movement of the pressure hose can lead to (serious) injuries. Securely attach the pressure hose to the outlet! Prevent buckling of the pressure hose.

**NOTICE****Delivery problems due to water level being too low**

If the level of the fluid is lowered too much, the volume flow can be interrupted. Air cushions can also form in the hydraulics, which can lead to inadmissible operational behaviour. The minimum permissible water level must reach the upper edge of the hydraulics housing!

For portable installation, the pump must be equipped with a pump support foot. The pump support foot ensures minimum ground clearance in the suction area and enables secure footing if placed on a solid bearing surface. In this installation type, the pump can be installed anywhere in the operating space/installation site. A hard base must be used at the installation location to prevent sinking in case of soft bearing surfaces. A pressure hose is connected on the pressure side. If operated for longer periods of time, fix the pump firmly to the floor. This prevents vibration and ensures quiet and low-wearing running.

CAUTION! If the motor emerges during operation, observe the operating mode for non-immersed operation (S2-15, S3 10 %*)!

* Operating mode S3 25 % is permitted if the necessary motor cooling is guaranteed before the motor is switched on again! To ensure the required cooling, the motor must be completely immersed for at least 1 min.

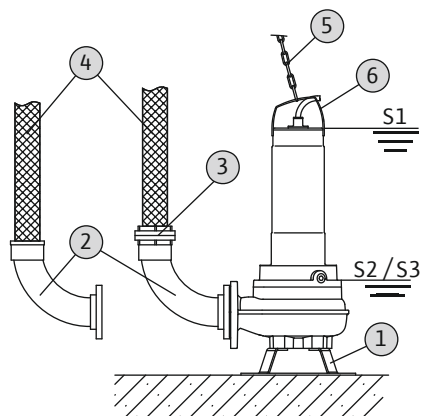
Work steps

Fig. 6: Portable wet well installation

1	Pump support foot
2	Pipe elbow with hose connection or Storz pipe coupling
3	Storz hose coupling
4	Pressure hose
5	Lifting equipment
6	Attachment point

- ✓ Pump support foot mounted.
 - ✓ Pressure connection prepared: Pipe elbow with hose connection or pipe elbow with Storz coupling mounted.
1. Use a shackle to attach the lifting equipment to the attachment point of the pump.
 2. Lift the pump and lower it at the intended location (chamber, pit).
 3. Place the pump on a solid bearing surface. **CAUTION! Sinking must be prevented!**
 4. Lay the pressure hose and fasten it to a certain point (e.g. drainage). **DANGER! Separation or movement of the pressure hose can lead to (serious) injuries! Securely attach the pressure hose to the outlet.**
 5. Lay the power supply cable properly. **CAUTION! Do not damage the power supply cable!**
- The pump is installed, the qualified electrician can make the electrical connection.

6.4.5 Level control

With a level control device, the current fill levels are determined and the pump is switched on and off automatically depending on the fill levels. Fill levels are recorded by using different sensor types (float switches, pressure and ultrasound measurements or electrodes). The fol-

lowing must be observed when using a level control device:

- Float switches can move freely!
- The water level must **not fall below** the minimum permissible!
- The maximum switching frequency **must not be exceeded!**
- If the fill levels fluctuate strongly, a level control with two measuring points is recommended. This makes it possible to achieve larger differential gaps.

6.4.6 Dry-running protection

Dry-running protection must prevent the pump from operating without fluid and air from entering the hydraulics. The minimum permissible fill level must be determined with the help of a signal transmitter. Once the specified limit value is reached, the pump must be deactivated with an appropriate signal. Dry-running protection can expand the available level controls by an additional measuring point or function as an independent switch-off device. Depending on the system security, the pump can be restarted automatically or manually. Installation of dry-running protection is recommended for optimum operational reliability.

6.5 Electrical connection**DANGER****Risk of death due to electrocution!**

Improper conduct when carrying out electrical work can lead to death due to electric shock! Electrical work must be carried out by a qualified electrician in accordance with the locally applicable regulations.

- The mains connection must match the specifications on the rating plate.
- Power supply on mains side for three-phase current motors with clockwise rotating field.
- Lay the power supply cables in accordance with the locally applicable regulations and connect them according to the wire assignment.
- Connect the monitoring devices and check their function.
- Earth the device properly in accordance with applicable local regulations.

6.5.1 Fuse on mains side**Circuit breaker**

The size of the circuit breakers conforms to the rated current of the pump. The switching characteristics

should comply with group B or C. Observe local regulations.

Motor protection switch

Make provision for an on-site motor protection switch for devices without a plug! The minimum requirement is a thermal relay/motor protection switch with temperature compensation, differential triggering and anti-reactivation device in accordance with the local regulations. In case of sensitive mains, make provision for the installation on-site of other protective equipment (e.g. overvoltage, undervoltage or phase failure relay, etc.).

Residual-current device (RCD)

Comply with the regulations of the local energy supply company! The use of a residual-current device is recommended.

If persons come into contact with the device and conductive fluids, secure the connection **with** a residual-current device (RCD).

6.5.2 Maintenance tasks

Carry out the following maintenance tasks prior to installation:

- Check the insulation resistance of the motor winding.
- Test the resistor of the temperature sensor.
- Test the resistor of the pencil electrode (optionally available).

If the measured values differ from the specifications, moisture may have penetrated into the motor or the power supply cable or the monitoring device is defective. Contact customer service in the event of a fault.

6.5.2.1 Checking the insulation resistance of the motor winding

Use an insulation tester to measure the insulation resistance (measuring voltage = 1000 V). Observe the following values:

- At the time of initial commissioning: Insulation resistance may not be less than 20 MΩ.
- For further measurements: Value must be greater than 2 MΩ.

NOTICE! For motors with an integrated capacitor, short-circuit the windings prior to checking!

6.5.2.2 Test the resistor of the temperature sensor

Measure the resistor of the temperature sensors with an ohmmeter. The bimetallic strips must have a measured value of 0 Ohm (passage).

6.5.2.3 Testing the resistor of the external electrode for sealing chamber control

Measure the resistor of the electrode with an ohmmeter. The measured value must approach "infinity". For values $\leq 30 \text{ k}\Omega$, if there is water in the oil – change the oil!

6.5.3 Connection of the single-phase current motor

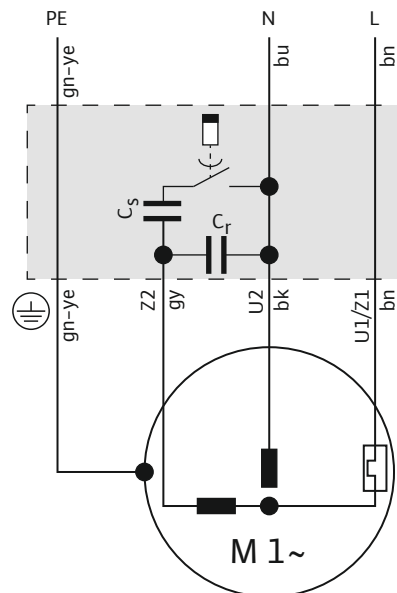


Fig. 7: Connection diagram single-phase current motor

Wire colour	Terminal
Brown (bn)	L
Blue (bu)	N
Green/yellow (gn-ye)	Earth

The single-phase current version is equipped with a shockproof plug. The connection to the mains is established by inserting the plug into a socket. The plug is **not** overflow-proof. **Install the socket so that it is overflow-proof!** Observe the information on the protection class (IP) of the plug.

DANGER! If the pump is connected directly to the switchgear, dismantle the plug and arrange for the electrical connection to be carried out by a qualified electrician!

6.5.4 Three-phase current motor connection

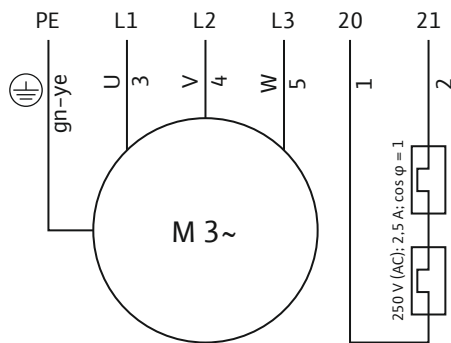


Fig. 8: Connection diagram three-phase current motor

Wire number	Designation	Terminal
1	20	WSK
2	21	WSK
3	U	L1
4	V	L2
5	W	L3
Green/yellow (gn-ye)	Earth	PE

The three-phase current version is equipped with bare cable ends. Connection to the mains is established by connecting the power supply cable in the switchgear.

Electrical connection must always be carried out by a qualified electrician!

For the correct direction of rotation, a clockwise rotating field must be available.

NOTICE! The individual wires are designated according to the connection diagram. Do not cut the wires! There is no additional assignment between the wiring diagram and connection diagram.

6.5.5 Monitoring device connection

All monitoring device must be connected!

6.5.5.1 Monitoring of motor winding

Single-phase current motor

Thermal motor monitoring is self-switching for single-phase current motors. The monitoring function is always active and does not need to be connected separately.

Three-phase current motor with bimetallic strip

Bimetallic strips are connected in the switchgear itself or via an evaluation relay.

Connection values: max. 250 V(AC), 2.5 A, $\cos \varphi = 1$

When the threshold is reached, deactivation must take place.

In the version with an attached plug, the thermal motor monitoring is pre-wired and set to the correct value in the plug.

6.5.5.2 Sealing chamber monitoring (external electrode)

Connect the external electrode via an evaluation relay. Relay "NIV 101/A" is recommended for this. The threshold is 30 kOhm.

When the threshold is reached, a warning must be given or the unit must be switched off.

CAUTION

Connection of the sealing chamber control

If on reaching the threshold, there is only a warning, the pump could be irreparably damaged by the water ingress. Deactivation of the pump is always recommended!

6.5.6 Motor protection adjustment

Motor protection must be set depending on the selected activation type.

6.5.6.1 Direct activation

At full load, set the motor protection switch to the rated current (see rating plate). At partial load, it is recommended to set the motor protection switch 5 % above the current measured at the duty point.

6.5.6.2 Soft starter

At full load, set the motor protection switch to the rated current (see rating plate). At partial load, it is recommended to set the motor protection switch 5 % above the current measured at the duty point. The following points must also be observed:

- Power consumption must always be below the rated current.
- Complete starting and stopping within 30 s.
- To avoid power dissipation, bypass the electronic starter (soft start) once normal operation is reached.

6.5.7 Operation with frequency converter

Operation on the frequency converter is not permitted.

7 Commissioning



WARNING

Foot injuries due to a lack of protective equipment!

Danger of (serious) injuries during work. Wear safety shoes!

7.1 Personnel qualifications

- Electrical work: A qualified electrician must carry out the electrical work.
- Operation/control: Operating personnel must be instructed in the functioning of the complete system.

7.2 Operator responsibilities

- Providing installation and operating instructions by the pump or at a place specially reserved for it.
- Making the installation and operating instructions available in the language of the personnel.
- Making sure that the installation and operating instructions are read and understood by all personnel.
- All safety devices and emergency cut-outs on the system-side must be active and checked to ensure that they work properly.
- The pump is suitable for use under the specified operating conditions.

7.3 Direction of rotation check (for three-phase current motors only)

The pump is factory-checked and adjusted to the correct direction of rotation for a clockwise rotating field. Connection is made in accordance with the specifications in chapter "Electrical connection".

Direction of rotation check

A qualified electrician checks the rotating field at the mains connection with a rotating field-test device. For the correct direction of rotation, a clockwise rotating field must be available at the mains connection. The pump is **not** approved for operation with a counter-clockwise rotating field! **CAUTION! If the direction of rotation is checked with a test run, comply with the ambient and operating conditions!**

Incorrect direction of rotation

If the direction of rotation is incorrect, change the connection as follows:

- Swap two phases for motors with direct starting.
- Swap the connections of two windings (e.g. U1/V1 and U2/V2) for star-delta activation motors.

7.4 Before switching on

Check the following prior to activation:

- Check whether the device has been installed properly and in accordance with the locally applicable regulations:
 - Has the pump been earthed?
 - Layout of power supply cable tested?
 - Electrical connection made properly?
 - Mechanical components attached correctly?
- Check level control:
 - Float switches can move freely?
 - Switching level tested (pump on, pump off, minimum water level)?
 - Additional dry-running protection installed?

- Test operating conditions:
 - Min./max. temperature of the fluid tested?
 - Max. immersion depth tested?
 - Operating mode defined depending on the minimum water level?
 - Maximum switching frequency adhered to?
- Check installation location/operating space:
 - Pipe system on the pressure side free of deposits?
 - Inlet or pump sump cleaned or free of deposits?
 - All gate valves open?
 - Minimum water level defined and monitored?

The hydraulics housing must be filled completely with the fluid and there must be no air cushions in the hydraulics. **NOTICE! Provide suitable venting devices if there is a risk of air cushions being formed in the system!**

7.5 Switching on and off

During the start process, the rated current is temporarily exceeded. During operation, the rated current may no longer be exceeded. **CAUTION! If the pump does not start, switch off the pump immediately. Remove the fault before reactivating the pump!**

Place pumps which are installed as portable pumps on a firm surface so they are level. If pumps have fallen over, place them upright again before activating them. Securely attach the pump with screws in case of difficult surfaces.

Pumps with bare cable end

The pump must be switched on and off using a separate operating point (on/off switch, switchgear) provided by the customer.

Pump with attached plug

- Single-phase current version: After inserting the plug in the socket, the pump is switched on.

7.6 During operation



WARNING

Amputation of limbs due to rotating components!

No persons must be present in the work area of the pump! There is risk of (serious) injuries due to rotating components! No persons must be present in the work area of the pump during start-up or operation.

**WARNING****Risk of burns from hot surfaces!**

Motor housing can become hot during operation. It may cause burns. Allow the pump to cool down at ambient temperature after switching it off!

**NOTICE****Delivery problems due to water level being too low**

If the level of the fluid is lowered too much, the volume flow can be interrupted. Air cushions can also form in the hydraulics, which can lead to inadmissible operational behaviour. The minimum permissible water level must reach the upper edge of the hydraulics housing!

When operating the pump, observe the locally applicable regulations on the following topics:

- Work safety
- Accident prevention
- Handling electrical machines

Strictly adhere to the responsibilities of the personnel specified by the operator. All personnel are responsible for ensuring that the responsibilities of the personnel and the regulations are observed!

Due to their design, centrifugal pumps have rotating parts that are easily accessible. Depending on the operating condition, sharp edges can develop on these parts.

WARNING! This can lead to cuts and limbs may be severed! Check the following at regular intervals:

- Operating voltage (+/-10 % of the rated voltage)
- Frequency (+/-2 % of the rated frequency)
- Power consumption between individual phases (max. 5 %)
- Voltage difference between the individual phases (max. 1 %)
- Max. switching frequency
- Minimum water submersion depending on the operating mode
- Inlet: no air intake
- Level control device/dry-running protection: Switching points
- Quiet/low-vibration running
- All gate valves open

8 Decommissioning/dismantling**8.1 Personnel qualifications**

- Operation/control: Operating personnel must be instructed in the functioning of the complete system.
- Electrical work: A qualified electrician must carry out the electrical work.
- Installation/dismantling: The technician must be trained in the use of the necessary tools and fixation materials for the relevant construction site.

8.2 Operator responsibilities

- Locally applicable accident prevention and safety regulations of trade associations.
- Observe regulations for working with heavy loads and under suspended loads.
- Provide the necessary protective equipment and make sure that the personnel wears it.
- Provide adequate aeration in closed rooms.
- Take immediate countermeasures if there is a build-up of toxic or suffocating gases!

8.3 Decommissioning

The pump is deactivated during decommissioning, but remains installed. This ensures that the pump is always ready for operation.

- ✓ To protect the pump from frost and ice, always immerse the pump completely in the fluid.
- ✓ The temperature of the fluid must always be above +3 °C (+37 °F).

1. Switch off the pump at the operating point.
2. Secure the operating point against being switched on again by unauthorised persons (e.g. lock main switch).

- ▶ The pump is out of operation and can now be dismantled.

If the pump remains installed after decommissioning, observe the following:

- Ensure that the prerequisites for decommissioning are maintained for the complete period of decommissioning. If these prerequisites cannot be guaranteed, dismantle the pump after decommissioning!
- For an extended period of decommissioning, carry out a 5-minute function test at regular intervals (monthly to quarterly). **CAUTION! A function test may only be carried out under the applicable operating conditions. A dry run is not permitted! Non-compliance can result in irreparable damage!**

8.4 Removal



DANGER

Danger due to fluids hazardous to health!

If the pump is used in fluids hazardous to health, decontaminate the pump after dismantling and before carrying out any other work! There is a risk of fatal injury! Observe the specifications in the work regulations! The operator must make sure that the personnel have received and read the work regulations!



DANGER

Risk of death due to electrocution!

Improper conduct when carrying out electrical work can lead to death due to electric shock! Electrical work must be carried out by a qualified electrician in accordance with the locally applicable regulations.



DANGER

Risk of fatal injury due to dangerous lone working practices!

Work in chambers and narrow rooms as well as work involving risk of falling are dangerous work. Such work may not be carried out autonomously! A second person must be present for safety reasons.



WARNING

Risk of burns from hot surfaces!

Motor housing can become hot during operation. It may cause burns. Allow the pump to cool down at ambient temperature after switching it off!



NOTICE

Only use lifting equipment in a technically sound condition!

Only use lifting equipment in a technically sound condition for lifting, lowering and transporting the pump. Ensure that the pump does not become jammed during lifting and lowering. Do **not** exceed the max. permissible bearing capacity of the lifting equipment!

8.4.1 Stationary wet well installation

- ✓ Pump is decommissioned.
 - ✓ Gate valves on the inlet and pressure side closed.
1. Disconnect the pump from the mains.

2. Attach the lifting equipment to the attachment point.
CAUTION! Never pull on the power supply cable! This damages the power supply cable!
3. Slowly raise the pump and lift above the guide pipes from the operating space. **CAUTION! The power supply cable can be damaged while lifting! Hold the power supply cable slightly taut when lifting!**
4. Clean the pump thoroughly (see point "Cleaning and disinfecting"). **DANGER! Disinfect the pump when used in fluids hazardous to health!**

8.4.2 Portable wet well installation

- ✓ Pump is taken out of operation.
1. Disconnect the pump from the mains.
 2. Roll up the power supply cable and place it over the motor housing. **CAUTION! Never pull on the power supply cable! This damages the power supply cable!**
 3. Loosen the pressure pipe from the pressure port.
 4. Attach the lifting equipment to the attachment point.
 5. Lift the pump from the operating space. **CAUTION! The power supply cable may be squeezed and damaged when setting the pump down! Pay attention to the power supply cable when setting the pump down!**
 6. Clean the pump thoroughly (see point "Cleaning and disinfecting"). **DANGER! Disinfect the pump when used in fluids hazardous to health!**

8.4.3 Clean and disinfect



DANGER

Danger due to fluids hazardous to health!



Danger to life if the pump is used in fluids hazardous to health! Decontaminate the pump before carrying out any further work! Wear the following protective equipment while performing cleaning tasks:



- Closed safety goggles
- Breathing mask
- Protective gloves

⇒ **The equipment listed here is the minimum requirement, observe the specifications of the work regulations! The operator must make sure that the personnel have received and read the work regulations!**

- ✓ Pump is dismantled.

- ✓ The contaminated cleaning water is disposed of in the sewage in accordance with the locally applicable regulations.
- ✓ A disinfectant is provided for contaminated pumps.
 1. Attach the lifting equipment to the attachment point of the pump.
 2. Lift the pump approximately 30 cm above the ground.
 3. Spray the pump with clear water from top to bottom.

NOTICE! An appropriate disinfectant must be used for contaminated pumps! Strictly observe the manufacturer's specifications concerning use!
 4. To clean the impeller and the interior pump space, guide the water jet inside via the pressure port.
 5. Flush all dirt residue onto the floor of the channel.
 6. Allow the pump to dry out.

9 Maintenance and repair



DANGER

Danger due to fluids hazardous to health!

If the pump is used in fluids hazardous to health, decontaminate the pump after dismantling and before carrying out any other work! There is a risk of fatal injury! Observe the specifications in the work regulations! The operator must make sure that the personnel have received and read the work regulations!



NOTICE

Only use lifting equipment in a technically sound condition!

Only use lifting equipment in a technically sound condition for lifting, lowering and transporting the pump. Ensure that the pump does not become jammed during lifting and lowering. Do **not** exceed the max. permissible bearing capacity of the lifting equipment!

- Always carry out maintenance tasks in a clean location with good lighting. It must be possible to position the pump safely and secure it.
- Only carry out maintenance tasks mentioned in these installation and operating instructions.
- Wear the following protective equipment while performing maintenance tasks:
 - Safety goggles
 - Safety shoes
 - Safety gloves

9.1 Personnel qualifications

- Electrical work: A qualified electrician must carry out the electrical work.
- Maintenance tasks: The technician must be familiar with the use of operating fluids and their disposal. In addition, the technician must have basic knowledge of mechanical engineering.

9.2 Operator responsibilities

- Provide the necessary protective equipment and make sure that the personnel wears it.
- Collect operating fluids in suitable tanks and dispose of properly.
- Dispose of protective clothing used in accordance with regulations.
- Use only original parts of the manufacturer. Use of parts other than the original parts releases the manufacturer from any liability.
- Collect any leakage of fluid and operating fluid immediately and dispose of it according to the locally applicable guidelines.
- Provide the tools required.
- If flammable solvents and cleaning agents are used, open flames, naked lights and smoking are prohibited.

9.3 Operating fluid

9.3.1 Oil types

Biological white oil is filled-in into the sealing chamber. The following oil types are recommended when changing the oil:

- Aral Autin PL*
- Shell ONDINA 919
- Esso MARCOL 52* or 82*
- BP WHITEMORE WOM 14*
- Texaco Pharmaceutical 30* or 40*

All oil types marked with "*" are approved for use with foods in accordance with "USDA-H1".

9.3.2 Filling quantities

The filling quantity is 900 ml (30 US.fl.oz).

9.4 Maintenance intervals

To ensure reliable operation, maintenance tasks must be carried out regularly. Depending on the real ambient temperatures, maintenance intervals different from those mentioned in the contract can be defined! If strong vibrations occur during operation, the pump and the installation must be checked regardless of the defined maintenance intervals.

9.4.1 Maintenance intervals for normal conditions

2 years

- Visual inspection of the power supply cable
- Visual inspection of accessories
- Visual inspection of the housing for wear
- Function test of monitoring devices
- Oil change

NOTICE! If sealing chamber control is installed, the oil is changed according to the indicator!

9.4.2 Maintenance intervals for use in sewage lifting units

When the pump is used in sewage lifting units inside buildings or on plots of land, carry out maintenance intervals and measures in accordance with

DIN EN 12056-4!

9.4.3 Maintenance intervals for harsh conditions

Under harsh operating conditions, specified maintenance intervals must be shortened if required. Harsh operating conditions include:

- Fluids with long-fibre components
- Turbulent inlet (e.g. due to air intake, cavitation)
- Strongly corroding or abrasive fluids
- Heavily gas generating fluids
- Operation at an unfavourable duty point
- Pressure surges

When using pumps under hard conditions, it is recommended to sign a maintenance contract. Contact customer service.

9.5 Maintenance measures



WARNING

Attached macerator: sharp edges on the cutting plate and rotating blade!

The macerator can cause amputation of limbs! Wear safety gloves to protect against cuts and never reach into the macerator!



WARNING

Hand, foot or eye injuries due to the absence of protective equipment!

Danger of (serious) injuries during work. Wear the following protective equipment:



- Safety gloves for protection against cuts
- Safety shoes
- Closed safety goggles

The following pre-requisites must be fulfilled prior to starting maintenance measures:

- Pump cooled down to the ambient temperature.
- Pump cleaned thoroughly and disinfected (if required).

9.5.1 Recommended maintenance measures

Regular inspection of power consumption and the operating voltage in all three phases is recommended for smooth operation. In normal operation, these values remain constant. Slight fluctuations depend on the characteristics of the fluid. Power consumption can provide an early indication of damage or malfunctions in the impeller, bearings or motor, which can be rectified. Larger voltage fluctuations strain the motor winding and can cause the pump to break down. Regular inspections can therefore largely prevent major secondary damage and reduce the risk of total breakdown. In this regard, it is recommended to use remote monitoring for regular inspections.

9.5.2 Visual inspection of the power supply cable

The power supply cables must be checked for:

- Bubbles
- Cracks
- Scratches
- Abrasion
- Crushing

If the power supply cables are damaged, the pump must be decommissioned immediately! Customer service must replace the damaged power supply cable. The pump may only be started up again once the damage has been properly remedied.

CAUTION! Water may penetrate into the pump due to the damaged power supply cables! Water ingress leads to total damage of the pump.

9.5.3 Visual inspection of accessories

Accessories must be checked for:

- Correct fixation
- Smooth function
- Wear symptoms

Any defects detected must be repaired immediately or the accessories must be replaced.

9.5.4 Visual inspection of coatings and housing for wear

The coatings and housing parts must not show any signs of damage. If there are defects, the following must be observed:

- If the coating is damaged, it must be restored.
- Contact customer service if housing parts have worn out!

9.5.5 Function test of the monitoring device

To test resistances, the pump must be cooled down to the ambient temperature!

9.5.5.1 Test the resistor of the temperature sensor

Measure the resistor of the temperature sensors with an ohmmeter. The bimetallic strips must have a measured value of 0 Ohm (passage).

9.5.5.2 Testing the resistor of the external electrode for sealing chamber control

Measure the resistor of the electrode with an ohmmeter. The measured value must approach "infinity". For values $\leq 30 \text{ k}\Omega$, if there is water in the oil – change the oil!

9.5.6 Oil change in sealing chamber



WARNING

Operating fluid under high pressure!

A pressure of **several bar can build up** in the motor! This pressure escapes when the screw plugs are **opened**. If screw plugs are opened without due caution, they can be ejected at high speed! To avoid injuries, observe the following instructions:

- Adhere to the prescribed sequence of work steps.
- Unscrew the screw plugs slowly, but never unscrew them completely. As soon as the pressure escapes (audible whistling or hissing of air), stop turning the screw plug any further!
- When the pressure has completely dissipated, fully unscrew the screw plugs.
- Wear closed safety goggles.



WARNING

Scalding due to hot operating fluids!

Hot operating fluids can also spray out when the pressure is escaping. This can result in scalding! To avoid injuries, the following instructions must be observed:

- Allow the pump to cool down to the ambient temperature then open the screw plugs.
- Wear closed safety goggles or face protection and gloves.

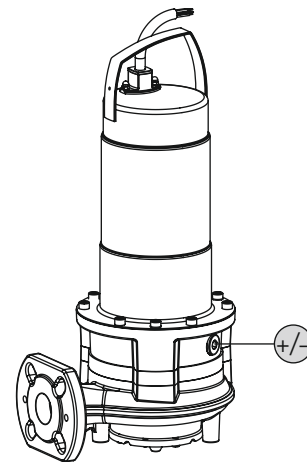


Fig. 9: Sealing chamber: Oil change

+/- Screw plug sealing chamber

- ✓ Protective equipment has been put on!
 - ✓ Pump has been dismantled and cleaned (decontaminated if required).
1. Position the pump horizontally on a firm surface. The screw plug points upwards. **WARNING! Risk of hands being crushed. Ensure that the pump cannot fall over or slip away!**
 2. Unscrew the screw plug slowly, but do not unscrew it completely. **WARNING! Overpressure in the motor! Stop turning the screw plug further if hissing or whistling is audible! Wait until the pressure has completely dissipated.**
 3. After the pressure has dissipated, fully unscrew the screw plug.
 4. Place a suitable tank to collect the operating fluid.
 5. Drain the operating fluid: Rotate the pump until the opening points downwards.
 6. Check the operating fluid: Notify customer service if an operating fluid contains metal chips!
 7. Pour in operating fluid: Rotate the pump until the opening points upwards. Fill-in the operating fluid into the opening.
 - ⇒ Comply with the specifications for operating fluid locations and quantity!
 8. Clean the screw plug, replace the seal ring and screw it back in. **Max. tightening torque: 8 Nm (5.9 ft lb)!**

9.6 Repairs



WARNING

Attached macerator: sharp edges on the cutting plate and rotating blade!

The macerator can cause amputation of limbs! Wear safety gloves to protect against cuts and never reach into the macerator!



WARNING

Hand, foot or eye injuries due to the absence of protective equipment!

Danger of (serious) injuries during work. Wear the following protective equipment:



- Safety gloves for protection against cuts
- Safety shoes
- Closed safety goggles

The following pre-requisites must be fulfilled prior to starting repair work:

- Pump cooled down to the ambient temperature.
 - Pump is switched voltage-free and secured against being activated inadvertently.
 - Pump cleaned thoroughly and disinfected (if required).
- For repair work the following generally applies:
- Immediately wipe up drips!
 - Always replace O-rings, gaskets and screw locking devices!
 - Observe the tightening torques in the appendix!
 - Never use force when carrying out this work!

9.6.1 Instructions on using screw locking devices

All screws are equipped with a screw locking device.

There are two different ways to tighten the screw locking device:

- Thread-locking fluid
- Mechanical screw locking device

Always replace the screw locking device!

Thread-locking fluid

Medium-strength thread-locking fluid (e.g. Loctite 243) is used for the liquid screw locking compound. This threadlocker can be loosened with increased force. If the thread-locking fluid cannot be loosened, then the compound must be heated to approx. 300 °C (572 °F). Clean the components thoroughly after dismantling.

Mechanical screw locking device

The mechanical screw locking device consists of two Nord-Lock wedge lock washers. The screw connection is secured by the clamping force. The Nord-Lock screw

locking device must only be used on bolts with strength class 10.9 which have been coated with Geomet. **The use of stainless screws is prohibited!**

9.6.2 Which repair work may be carried out

- Readjusting the cutting gap.

9.6.3 Readjusting the macerator

The gap between cutting plate and blade is approx. 0.1 mm (0.004 in). If the gap becomes too great, then cutting performance is impaired and clogging will increase. In this case, readjust the gap.

Necessary tools

- Torque wrench with size 4 Allen wrench insert
- Size 5 Allen wrench
- Size 4 Allen wrench

Work steps

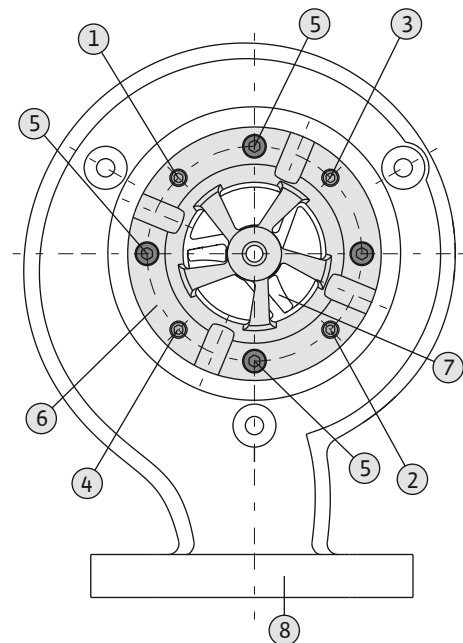


Fig. 10: Readjusting the cutting gap

1...4	Grub screw
5	Cylinder-head screw
6	Cutting plate
7	Rotating blade
8	Pressure connection

- ✓ Protective equipment has been put on
 - ✓ Pump cleaned and, if required, disinfected
 - ✓ Required tools are ready for use
1. Unscrew the four grub screws from the cutting plate.
 2. Push the cutting plate against the internal blade until the stop is reached.

3. Screw in the four cylinder-head screws by hand until they fit closely against the cutting plate. **NOTICE! Do not fully tighten the cylinder-head screws!**
4. Screw the four grub screws into the cutting plate again and tighten crosswise with a torque wrench. Observe the following pattern when tightening:
 - Grub screw 1: 3 Nm (2 ft·lb)
 - Grub screw 2: 6 Nm (4 ft·lb)
 - Grub screw 1: 6 Nm (4 ft·lb)
 - Grub screw 3: 3 Nm (2 ft·lb)
 - Grub screw 4: 6 Nm (4 ft·lb)
 - Grub screw 3: 6 Nm (4 ft·lb)

**WARNING****No persons are allowed to be present inside the working area of the pump!**

Persons may suffer (serious) injuries while the pump is in operation! No persons may therefore be present inside the working area. If persons must enter the working area of the pump, the pump must be decommissioned and secured against being switched on again without authorisation.

**WARNING****Attached macerator: sharp edges on the cutting plate and rotating blade!**

The macerator can cause amputation of limbs! Wear safety gloves to protect against cuts and never reach into the macerator!

10 Faults, causes and remedies**DANGER****Danger due to fluids hazardous to health!**

Danger of death in case of pumps with fluids hazardous to health! Wear the following protective equipment while performing the work:

- Closed safety goggles
- Breathing mask
- Protective gloves

⇒ **The equipment listed here is the minimum requirement, observe the specifications of the work regulations! The operator must make sure that the personnel have received and read the work regulations!**

**DANGER****Risk of death due to electrocution!**

Improper conduct when carrying out electrical work can lead to death due to electric shock! Electrical work must be carried out by a qualified electrician in accordance with the locally applicable regulations.

**DANGER****Risk of fatal injury due to dangerous lone working practices!**

Work in chambers and narrow rooms as well as work involving risk of falling are dangerous work. Such work may not be carried out autonomously! A second person must be present for safety reasons.

Fault: Pump does not start

1. Electricity supply interrupted or short-circuit/earth fault in the cable or motor winding.
 - ⇒ Have the connection and motor checked by a qualified electrician and replace if necessary.
2. Tripping of fuses, of the motor protection switch or the monitoring device
 - ⇒ Have the connection and the monitoring device checked by a qualified electrician and change it if necessary.
 - ⇒ Have the motor protection switches and fuses installed and adjusted according to the technical specifications by a qualified electrician and reset monitoring device.
 - ⇒ Check the impeller to make sure that it runs smoothly, clean the hydraulics if necessary.
3. The sealing chamber control (optional) has interrupted the electric circuit (connection-related)
 - ⇒ See "Fault: Mechanical seal leakage, sealing chamber control reports a fault and switches the pump off".

Fault: Pump starts up, motor protection trips after short period

1. Motor protection switch set incorrectly.
 - ⇒ Have the adjustment of the trigger checked and corrected by a qualified electrician.
2. Increased power consumption due to major voltage drop.
 - ⇒ Have the voltage of individual phases checked by a qualified electrician. Contact the electricity distribution network.
3. There are only two phases at the connection.

⇒ Have the connection checked and corrected by a qualified electrician.

4. Excessive differences in voltage between the phases.

⇒ Have the voltage of individual phases checked by a qualified electrician. Contact the electricity distribution network.

5. Incorrect direction of rotation.

⇒ Have the connection corrected by a qualified electrician.

6. Increased power consumption through jammed hydraulics.

⇒ Clean the hydraulics and check the inlet.

7. The density of the fluid is too high.

⇒ Contact customer service.

Fault: Pump runs, there is no volume flow

1. There is no fluid.

⇒ Check the inlet, open all gate valves.

2. Inlet clogged.

⇒ Check the inlet and remove clogging.

3. Hydraulics jammed.

⇒ Clean the hydraulics.

4. Pipe system on the pressure side or pressure hose clogged.

⇒ Remove clogging and replace the damaged components if necessary.

5. Intermittent operation.

⇒ Check the switching system.

Fault: Pump starts, duty point is not reached

1. Inlet clogged.

⇒ Check the inlet and remove clogging.

2. Slide valves on the pressure side closed.

⇒ Open all gate valves completely.

3. Hydraulics jammed.

⇒ Clean the hydraulics.

4. Incorrect direction of rotation.

⇒ Have the connection corrected by a qualified electrician.

5. Air cushion in the pipe system.

⇒ Vent the pipe system.

⇒ If air cushions occur frequently: Locate and prevent the air intake, if required install ventilation systems at specified locations.

6. Pump pumping against excessive pressure.

⇒ Open all gate valves on the pressure side completely.

⇒ Check the impeller shape, use other impeller shapes if required. Contact customer service.

7. Signs of wear on the hydraulics.

⇒ Have the components (impeller, suction port, pump housing) checked and replaced by customer service.

8. Pipe system on the pressure side or pressure hose clogged.

⇒ Remove clogging and replace the damaged components if necessary.

9. Strongly gassing fluid.

⇒ Contact customer service.

10. There are only two phases at the connection.

⇒ Have the connection checked and corrected by a qualified electrician.

11. Excessive decrease in the fill level during operation.

⇒ Check supply/capacity of the system.

⇒ Have the switching points of the level control checked and adjusted if necessary.

Fault: The pump does not run smoothly and is noisy

1. Improper duty point.

⇒ Check the pump configuration and the duty point, contact customer service.

2. Hydraulics jammed.

⇒ Clean the hydraulics.

3. Strongly gassing fluid.

⇒ Contact customer service.

4. There are only two phases at the connection.

⇒ Have the connection checked and corrected by a qualified electrician.

5. Incorrect direction of rotation.

⇒ Have the connection corrected by a qualified electrician.

6. Signs of wear on the hydraulics.

⇒ Have the components (impeller, suction port, pump housing) checked and replaced by customer service.

7. Motor bearings have worn.

⇒ Inform customer service; send the pump back to the factory for overhauling.

8. Pump is installed under tension.

⇒ Check installation, install rubber compensators if necessary.

Fault: Sealing chamber control reports fault or switches the pump off

1. Condensation water build-up due to extended storage or high temperature fluctuations.

⇒ Operate the pump for a short period (max. 5 min.) without pencil electrode.

2. Increased leakage when running in new mechanical seals.
 - ⇒ Change the oil.
3. Pencil electrode cable is defective.
 - ⇒ Replace the pencil electrode.
4. Mechanical seal is defective.
 - ⇒ Inform customer service.

Further steps for troubleshooting

If the points listed here do not rectify the fault, customer service must be contacted. Customer service can provide the following remedies:

- Telephone or written support.
- On-site support.
- Inspection and repair of the pump at the factory.

Costs may be incurred if other services of the customer service are availed! For more details, please contact customer service.

11 Spare parts

Spare parts are ordered via customer service. To avoid return queries and incorrect orders, the serial or article number must always be supplied. **Subject to change without prior notice!**

12 Disposal

12.1 Oils and lubricants

Operating fluid must be collected in suitable tanks and disposed of in accordance with the locally applicable guidelines.

12.2 Protective clothing

Used protective clothing must be disposed of in accordance with the locally applicable guidelines.

12.3 Information on the collection of used electrical and electronic products

Proper disposal and appropriate recycling of this product prevents damage to the environment and danger to your personal health.



NOTICE

Disposal in domestic waste is forbidden!

In the European Union, this symbol can appear on the product, the packaging or the accompanying documentation. It means that the electrical and electronic products in question must not be disposed of along with domestic waste.

To ensure proper handling, recycling and disposal of the used products in question, please note the following points:

- Only hand over these products at designated, certified collecting points.
- Observe the locally applicable regulations!

Please consult your local municipality, the nearest waste disposal site, or the dealer who sold the product to you for information on proper disposal. Further recycling information can be found at www.wilo-recycling.com.

13 Appendix

13.1 Tightening torques

Rust-free screws A2/A4			
Threaded	Tightening torque		
	Nm	kp m	ft-lb
M5	5.5	0.56	4
M6	7.5	0.76	5.5
M8	18.5	1.89	13.5
M10	37	3.77	27.5
M12	57	5.81	42
M16	135	13.77	100
M20	230	23.45	170
M24	285	29.06	210
M27	415	42.31	306
M30	565	57.61	417

Geomet-coated screws (strength 10.9) with Nord-Lock washer			
Threaded	Tightening torque		
	Nm	kp m	ft-lb
M5	9.2	0.94	6.8
M6	15	1.53	11
M8	36.8	3.75	27.1
M10	73.6	7.51	54.3

Geomet-coated screws (strength 10.9) with Nord-Lock washer			
Threaded	Tightening torque		
	Nm	kp m	ft·lb
M12	126.5	12.90	93.3
M16	155	15.81	114.3
M20	265	27.02	195.5



Wilo – International (Subsidiaries)

Argentina

WILO SALMSON
Argentina S.A.
C1295ABI Ciudad
Autónoma de Buenos Aires
T +54 11 4361 5929
carlos.musich@wilo.com.ar

Australia

WILO Australia Pty Limited
Murrarie, Queensland, 4172
T +61 7 3907 6900
chris.dayton@wilo.com.au

Austria

WILO Pumpen Österreich
GmbH
2351 Wiener Neudorf
T +43 507 507-0
office@wilo.at

Azerbaijan

WILO Caspian LLC
1065 Baku
T +994 12 5962372
info@wilo.az

Belarus

WILO Bel IOOO
220035 Minsk
T +375 17 3963446
wilo@wilo.by

Belgium

WILO NV/SA
1083 Ganshoren
T +32 2 4823333
info@wilo.be

Bulgaria

WILO Bulgaria EOOD
1125 Sofia
T +359 2 9701970
info@wilo.bg

Brazil

WILO Comercio e
Importacao Ltda
Jundiaí – São Paulo – Brasil
13.213-105
T +55 11 2923 9456
wilo@wilo-brasil.com.br

Canada

WILO Canada Inc.
Calgary, Alberta T2A 5L7
T +1 403 2769456
info@wilo-canada.com

China

WILO China Ltd.
101300 Beijing
T +86 10 58041888
wilobj@wilo.com.cn

Croatia

WILO Hrvatska d.o.o.
10430 Samobor
T +38 51 3430914
wilo-hrvatska@wilo.hr

Cuba

WILO SE
Oficina Comercial
Edificio Simona Apto 105
Siboney, La Habana, Cuba
T +53 5 2795135
T +53 7 272 2330
raul.rodriguez@wilo-cuba.com

Czech Republic

WILO CS, s.r.o.
25101 Cestlice
T +420 234 098711
info@wilo.cz

Denmark

WILO Danmark A/S
2690 Karlslunde
T +45 70 253312
wilo@wilo.dk

Estonia

WILO Eesti OÜ
12618 Tallinn
T +372 6 509780
info@wilo.ee

Finland

WILO Finland OY
02330 Espoo
T +358 207401540
wilo@wilo.fi

France

Wilo Salmson France S.A.S.
53005 Laval Cedex
T +33 2435 95400
info@wilo.fr

Great Britain

WILO (U.K.) Ltd.
Burton Upon Trent
DE14 2WJ
T +44 1283 523000
sales@wilo.co.uk

Greece

WILO Hellas SA
4569 Anixi (Attika)
T +302 10 6248300
wilo.info@wilo.gr

Hungary

WILO Magyarország Kft
2045 Törökbálint
(Budapest)
T +36 23 889500
wilo@wilo.hu

India

Wilo Mather and Platt Pumps
Private Limited
Pune 411019
T +91 20 27442100
services@matherplatt.com

Indonesia

PT. WILO Pumps Indonesia
Jakarta Timur, 13950
T +62 21 7247676
citrawilo@cbn.net.id

Ireland

WILO Ireland
Limerick
T +353 61 227566
sales@wilo.ie

Italy

WILO Italia s.r.l.
Via Novegro, 1/A20090
Segrate MI
T +39 25538351
wilo.italia@wilo.it

Kazakhstan

WILO Central Asia
050002 Almaty
T +7 727 312 40 10
info@wilo.kz

Korea

WILO Pumps Ltd.
20 Gangseo, Busan
T +82 51 950 8000
wilo@wilo.co.kr

Latvia

WILO Baltic SIA
1019 Riga
T +371 6714-5229
info@wilo.lv

Lebanon

WILO LEBANON SARL
Jdeideh 1202 2030
Lebanon
T +961 1 888910
info@wilo.com.lb

Lithuania

WILO Lietuva UAB
03202 Vilnius
T +370 5 2136495
mail@wilo.lt

Morocco

WILO Maroc SARL
20250 Casablanca
T +212 (0) 5 22 66 09 24
contact@wilo.ma

The Netherlands

WILO Nederland B.V.
1551 NA Westzaan
T +31 88 9456 000
info@wilo.nl

Norway

WILO Norge AS
0975 Oslo
T +47 22 804570
wilo@wilo.no

Poland

WILO Polska Sp. z o.o.
5-506 Lesznowola
T +48 22 7026161
wilo@wilo.pl

Portugal

Bombas Wilo-Salmson
Sistemas Hidraulicos Lda.
4475-330 Maia
T +351 22 2080350
bombas@wilo.pt

Romania

WILO Romania s.r.l.
077040 Com. Chiajna
Jud. Ilfov
T +40 21 3170164
wilo@wilo.ro

Russia

WILO Rus ooo
123592 Moscow
T +7 495 7810690
wilo@wilo.ru

Saudi Arabia

WILO Middle East KSA
Riyadh 11465
T +966 1 4624430
wshoula@wataniaind.com

Serbia and Montenegro

WILO Beograd d.o.o.
11000 Beograd
T +381 11 2851278
office@wilo.rs

Slovakia

WILO CS s.r.o., org. Zložka
83106 Bratislava
T +421 2 33014511
info@wilo.sk

Slovenia

WILO Adriatic d.o.o.
1000 Ljubljana
T +386 1 5838130
wilo.adriatic@wilo.si

South Africa

Wilo Pumps SA Pty LTD
1685 Midrand
T +27 11 6082780
patrick.hulley@salmson.co.za

Spain

WILO Ibérica S.A.
8806 Alcalá de Henares
(Madrid)
T +34 91 8797100
wilo.iberica@wilo.es

Sweden

WILO NORDIC AB
35033 Växjö
T +46 470 727600
wilo@wilo.se

Switzerland

Wilo Schweiz AG
4310 Rheinfelden
T +41 61 836 80 20
info@wilo.ch

Taiwan

WILO Taiwan CO., Ltd.
24159 New Taipei City
T +886 2 2999 8676
nelson.wu@wilo.com.tw

Turkey

WILO Pompa Sistemleri
San. ve Tic. A.Ş.
34956 İstanbul
T +90 216 2509400
wilo@wilo.com.tr

Ukraine

WILO Ukraina t.o.w.
08130 Kiev
T +38 044 3937384
wilo@wilo.ua

United Arab Emirates

WILO Middle East FZE
Jebel Ali Free zone – South
PO Box 262720 Dubai
T +971 4 880 9177
info@wilo.ae

USA

WILO USA LLC
Rosemont, IL 60018
T +1 866 945 6872
info@wilo-usa.com

Vietnam

WILO Vietnam Co Ltd.
Ho Chi Minh City, Vietnam
T +84 8 38109975
nkminh@wilo.vn

wilo

Pioneering for You

WILO SE
Nortkirchenstr. 100
44263 Dortmund
Germany
T +49 (0)231 4102-0
T +49 (0)231 4102-7363
wilo@wilo.com
www.wilo.com

Wilo-Rexa FIT



en Installation and operating instructions



Table of contents

1	General information	5
1.1	About these instructions	5
1.2	Copyright	5
1.3	Subject to change	5
1.4	Warranty	5
2	Safety	5
2.1	Identification of safety instructions.....	5
2.2	Personnel qualifications.....	6
2.3	Electrical work	6
2.4	Monitoring devices	7
2.5	Use in fluids hazardous to health	7
2.6	Transport.....	7
2.7	Installing/dismantling.....	7
2.8	During operation	7
2.9	Maintenance tasks	8
2.10	Operating fluid	8
2.11	Operator responsibilities.....	8
3	Application/use	8
3.1	Intended use	8
3.2	Improper use.....	9
4	Product description	9
4.1	Design	9
4.2	Monitoring devices	10
4.3	Operating modes.....	10
4.4	Operation with frequency converter.....	10
4.5	Operation in an explosive atmosphere	10
4.6	Technical data	10
4.7	Type key	11
4.8	Scope of delivery.....	11
4.9	Accessories	11
5	Transportation and storage	11
5.1	Delivery.....	11
5.2	Transport.....	11
5.3	Storage	12
6	Installation and electrical connection	12
6.1	Personnel qualifications.....	12
6.2	Installation types.....	12
6.3	Operator responsibilities.....	13
6.4	Installation	13
6.5	Electrical connection	17
7	Commissioning.....	19
7.1	Personnel qualifications.....	19

7.2	Operator responsibilities.....	19
7.3	Direction of rotation check (for three-phase current motors only).....	19
7.4	Before switching on.....	19
7.5	Switching on and off.....	20
7.6	During operation.....	20
8	Decommissioning/dismantling.....	21
8.1	Personnel qualifications.....	21
8.2	Operator responsibilities.....	21
8.3	Decommissioning.....	21
8.4	Removal.....	21
9	Maintenance and repair.....	22
9.1	Personnel qualifications.....	23
9.2	Operator responsibilities.....	23
9.3	Operating fluid.....	23
9.4	Maintenance intervals.....	23
9.5	Maintenance measures.....	23
10	Faults, causes and remedies.....	25
11	Spare parts.....	27
12	Disposal.....	27
12.1	Oils and lubricants.....	27
12.2	Protective clothing.....	27
12.3	Information on the collection of used electrical and electronic products.....	27

1 General information

1.1 About these instructions

These installation and operating instructions are an integral part of the product. Read these instructions before commencing work and keep them in an accessible place at all times. Strict adherence to these instructions is a requirement for intended use and correctly operating the product. All specifications and markings on the product must be observed.

The language of the original operating instructions is German. All other languages of these instructions are translations of the original operating instructions.

1.2 Copyright

These installation and operating instructions have been copyrighted by the manufacturer. The contents, of whatever type, may not be reproduced or distributed, or used for purposes of competition and shared with others.

1.3 Subject to change

The manufacturer reserves the right to make technical modifications to the product or individual components. The illustrations used may differ from the original and are intended as an example representation of the product.

1.4 Warranty

The specifications in the current "General Terms and Conditions" apply to the warranty and the warranty period. These can be found at www.wilo.com/legal
Any deviations must be contractually agreed and shall then be given priority.

Claim to warranty

If the following points are complied with, the manufacturer is obligated to rectify every qualitative or constructive flaw:

- The defects are reported in writing to the manufacturer within the warranty period.
- Application according to intended use.
- All monitoring devices are connected and tested before commissioning.

Exclusion of liability

Exclusion from liability excludes all liability for personal injury, material damage or financial losses. This exclusion ensues as soon as one of the following applies:

- Inadequate configuration due to inadequate or incorrect instructions by the operator or the client
- Non-compliance with installation and operating instructions
- Improper use

- Incorrect storage or transport
- Incorrect installation or dismantling
- Insufficient maintenance
- Unauthorised repairs
- Inadequate construction site
- Chemical, electrical or electro-chemical influences
- Wear

2 Safety

This chapter contains basic information which must be adhered to during the individual phases of the life cycle. Failure to follow the installation and operating instructions will result in injuries to persons, damage to the environment and the device and result in the loss of any claims for damages. Failure to follow the instructions can result in the following risks:

- Injury to persons from electrical, mechanical and bacteriological factors as well as electromagnetic fields
- Environmental damage from leakage of hazardous substances
- Property damage
- Failure of important functions of the product

Additionally, the instructions and safety instructions in the other chapters must be observed!

2.1 Identification of safety instructions

These installation and operating instructions set out safety instructions for preventing personal injury and damage to property. These safety instructions are shown differently:

- Safety instructions relating to personal injury start with a signal word, are **preceded by a corresponding symbol** and are shaded in grey.



DANGER

Type and source of the danger!

Consequences of the danger and instructions for avoidance.

- Safety instructions relating to property damage start with a signal word and are displayed **without** a symbol.

CAUTION

Type and source of the danger!

Consequences or information.

Signal words

- **DANGER!**
Failure to observe the safety instructions will result in serious injuries or death!
- **WARNING!**
Failure to follow the instructions can lead to (serious) injuries!
- **CAUTION!**
Failure to follow the instructions can lead to property damage and a possible total loss.
- **NOTICE!**
Useful information on handling the product

Symbols

These instructions use the following symbols:

-  Danger of electric voltage
-  Danger of bacterial infection
-  Danger of explosion
-  General warning symbols
-  Warning of crushing
-  Warning of cutting injuries
-  Warning of hot surfaces
-  Warning of high pressure
-  Warning of suspended loads
-  Personal protective equipment: Wear a safety helmet
-  Personal protective equipment: Wear foot protection
-  Personal protective equipment: Wear hand protection
-  Personal protective equipment: Wear mouth protection
-  Personal protective equipment: Wear safety goggles
-  Autonomous work prohibited! A second person must be present.
-  Useful information

Markups

- ✓ Prerequisite
- 1. Work step/list
⇒ Notice/instructions
- ▶ Result

2.2 Personnel qualifications

Personnel must:

- Be instructed about locally applicable regulations governing accident prevention.
 - Have read and understood the installation and operating instructions.
- Personnel must have the following qualifications.
- **Electrical work:** A qualified electrician must carry out the electrical work.
 - **Installation/dismantling:** The technician must be trained in the use of the necessary tools and fixation materials for the relevant construction site.
 - **Maintenance tasks:** The technician must be familiar with the use of operating fluids and their disposal. In addition, the technician must have basic knowledge of mechanical engineering.

Definition of “qualified electrician”

A qualified electrician is a person with appropriate technical education, knowledge and experience who can identify **and** prevent electrical hazards.

2.3 Electrical work

- A qualified electrician must carry out the electrical work.
- When connecting to the mains, comply with the locally applicable laws and regulations of the local energy supply company.
- Before commencing work, disconnect the device from the mains and secure it against being switched on again without authorisation.
- Personnel are trained on the execution of the electrical connection and the options for switching off the device.
- Comply with the technical specifications contained in these installation and operating instructions and on the rating plate.
- Earth the device.
- Observe the manufacturer’s specifications when connecting to electrical switching systems.
- Comply with the specifications on electro-magnetic compatibility when connecting electronic start-up controllers (e.g. soft starter or frequency converter). If required, take into account special measures (e.g. shielded cables, filters etc.).

- Replace defective power supply cables immediately. Contact customer service.

2.4 Monitoring devices

The following monitoring devices must be provided on-site:

Circuit breaker

The size of the circuit breakers conforms to the rated current of the pump. The switching characteristics should comply with group B or C. Observe local regulations.

Motor protection switch

Make provision for an on-site motor protection switch for devices without a plug! The minimum requirement is a thermal relay/motor protection switch with temperature compensation, differential triggering and anti-reactivation device in accordance with the local regulations. In case of sensitive mains, make provision for the installation on-site of other protective equipment (e.g. over-voltage, undervoltage or phase failure relay, etc.).

Residual-current device (RCD)

Comply with the regulations of the local energy supply company! The use of a residual-current device is recommended.

If persons come into contact with the device and conductive fluids, secure the connection **with** a residual-current device (RCD).

2.5 Use in fluids hazardous to health

There is a danger of bacterial infection when using the device in fluids hazardous to health! Thoroughly clean and disinfect the device after dismantling and prior to further use. The operator must ensure the following:

- The following protective equipment is provided and worn when cleaning the device:
 - Closed safety goggles
 - Breathing mask
 - Protective gloves
- All persons are informed about the fluid, the associated danger and its correct handling!

2.6 Transport

- The following protective equipment must be worn:
 - Safety shoes
 - Safety helmet (when using lifting equipment)
- Always hold the handle to transport the device. Never pull the power supply cable!
- Only use legally specified and approved lifting gear.

- Select the lifting gear based on the existing conditions (weather, attachment point, load, etc.).
- Always attach the lifting gear to the attachment points (handle or lifting eyelet).
- The stability of the lifting equipment must be ensured during operation.
- When using lifting equipment, a second person must be present to coordinate the procedure if required (e.g. if the operator's field of vision is blocked).
- Persons are not permitted to stand beneath suspended loads. Do **not** carry suspended loads over workplaces where people are present.

2.7 Installing/dismantling

- Wear the following protective equipment:
 - Safety shoes
 - Safety gloves for protection against cuts
 - Safety helmet (when using lifting equipment)
- Locally applicable laws and regulations for work safety and accident prevention must be complied with.
- Disconnect the device from the mains and secure it against being switched on again without authorisation.
- All rotating parts must be at a standstill.
- Provide adequate aeration in closed rooms.
- When working in chambers and closed spaces, a second person must be present for safety reasons.
- Take immediate countermeasures if there is a build-up of toxic or suffocating gases!
- Clean the device thoroughly. Disinfect devices that are used in fluids hazardous to health!
- Make sure that there is no risk of explosion when carrying out any type of welding work or work with electrical devices.

2.8 During operation

- Wear the following protective equipment:
 - Safety shoes
 - Ear protection (in accordance with the notice of the work regulations)
- Work area of the device is not a recreational area. No persons are allowed in the work area during operation.
- The operator must immediately report any faults or irregularities to their line manager.
- If safety-endangering defects occur, the operator must immediately deactivate the device:
 - Malfunction of the safety and monitoring device
 - Damage to the housing parts
 - Damage to the electrical equipment
- Never reach into the suction port. The rotating parts can crush and sever limbs.

- If the motor emerges during operation, the motor housing can heat up to above 40 °C (104 °F).
- Open all gate valves in the piping on the suction and pressure side.
- Ensure minimum water submersion through dry-running protection.
- Under normal operating conditions, the sound pressure level of the device is below 85 dB(A). However, the actual sound-pressure level depends on several factors:
 - Installation depth
 - Installation
 - Fixation of accessories and pipe
 - Duty point
 - Immersion depth
- If the device is operated under normal operating conditions, the operator must measure the sound pressure. Ear protection must be worn for sound pressure levels of 85 dB(A) and above and this must be noted in the work regulations!

2.9 Maintenance tasks

- Wear the following protective equipment:
 - Closed safety goggles
 - Safety shoes
 - Safety gloves for protection against cuts
- Always carry out maintenance tasks outside the operating space/installation site.
- Only carry out maintenance tasks mentioned in these installation and operating instructions.
- Only original parts from the manufacturer may be used for maintenance and repairs. Use of parts other than the original parts releases the manufacturer from any liability.
- Collect any leakage of fluid and operating fluid immediately and dispose of it according to the locally applicable guidelines.
- Store tools at the designated locations.
- After completing work, reattach all safety and monitoring devices and check that they function properly.

Changing operating fluid

In case of a defect, a pressure **of several bar can build up** in the motor! This pressure escapes when the screw plugs are **opened**. If screw plugs are opened without due caution, they can be ejected at high speed! To avoid injuries, observe the following instructions:

- Adhere to the prescribed sequence of work steps.
- Unscrew the screw plugs slowly, but never unscrew them completely. As soon as the pressure escapes (audible

whistling or hissing of air), stop turning the screw plug any further.

WARNING! Hot operating fluids can also spray out when the pressure is escaping. This can result in scalding! To avoid injuries, allow the motor to cool down to the ambient temperature before carrying out any work!

- When the pressure has completely dissipated, fully unscrew the screw plug.

2.10 Operating fluid

In the sealing chamber, the motor is filled with white oil. Operating fluid must be replaced during regular maintenance work and disposed off according to the local guidelines.

2.11 Operator responsibilities

- Installation and operating instructions must be in a language which the personnel can understand.
- Make sure that the personnel is relevantly trained for the specified work.
- Provide the necessary protective equipment and make sure that the personnel wears it.
- Safety and information signs mounted on the device must be always legible.
- Train the personnel pertaining to the functioning of the system.
- Eliminate risk from electrical current.
- Equip hazardous components inside the system with an on-site guard.
- Identify and cordon off the work area.
- To ensure safe working practice, define the responsibilities of the employees.

Children and persons younger than 16 years or with reduced physical, sensory or mental capacities or limited experience are prohibited from handling the product! A technician must supervise persons younger than 18 years!

3 Application/use

3.1 Intended use

Submersible pumps are suitable for pumping:

- Sewage containing faeces
- Wastewater (with small amounts of sand and gravel)
- Fluids with dry matter up to max. 8 %

3.2 Improper use



DANGER

Explosion due to pumping of explosive fluids!

Pumping of highly flammable and explosive fluids (gasoline, kerosene, etc.) in pure form is strictly prohibited. There is a risk of fatal injury due to explosion! The pumps are not designed for these fluids.



DANGER

Danger due to fluids hazardous to health!

If the pump is used in fluids hazardous to health, decontaminate the pump after dismantling and before carrying out any other work! There is a risk of fatal injury! Observe the specifications in the work regulations! The operator must make sure that the personnel have received and read the work regulations!

The submersible pumps must **not be used** for pumping:

- Drinking water
- Fluids containing hard components (such as stones, wood, metal, etc.)
- Fluids containing large quantities of abrasive contents (e.g. sand, gavel)

Intended use also includes compliance with this manual. Any other use is regarded as non-compliant with the intended use.

4 Product description

4.1 Design

Submersible sewage pump as a submersible monobloc unit for intermittent operation for wet well installation.

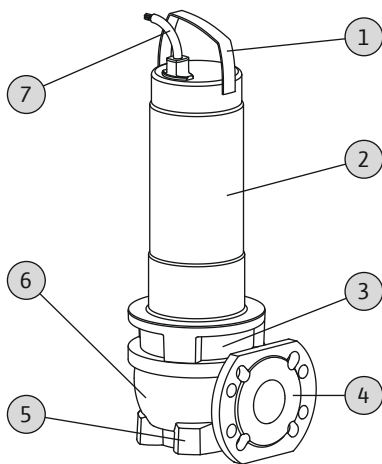


Fig. 1: Overview

1	Handle/attachment point
---	-------------------------

2	Motor
3	Seal housing
4	Pressure port
5	Suction port
6	Hydraulics housing
7	Power supply cable

4.1.1 Hydraulics

Centrifugal hydraulics with vortex impeller and horizontal flange connection on the pressure side.

The hydraulics are **not** self-priming, in other words, the fluid must flow in either automatically or with supply pressure.

4.1.2 Motor

The drive versions used are single-phase current and three-phase current surface-cooled motors. The motor is cooled by the fluid around it. The waste heat is transferred directly to the fluid via the motor housing. The motor may emerge during operation.

With single-phase current motors, the operating capacitor is integrated in the motor. The connection cable is available in the following versions:

- **Single-phase current version:**
 - With shockproof plug
 - With shockproof plug and fitted with a float switch
- **Three-phase current version:**
 - With bare cable end
 - With CEE plug and fitted with a float switch

4.1.3 Seal

The seal for the fluid and the motor compartment is made via two mechanical seals. The sealing chamber between the mechanical seals is filled with medical white oil.

4.1.4 Material

- Pump housing: EN-GJL-250 (ASTM A48 Class 35/40B)
- Impeller: EN-GJL-250 (ASTM A48 Class 35/40B)
- Motor housing: Stainless steel AISI 1.4301 (304)
- Shaft: Stainless steel AISI 1.4021 (420)
- Seal on the motor side: C/MgSiO₄
- Seal on the fluid side: SiC/SiC
- Seal, static: NBR (Nitrile)

4.1.5 Fitted accessories

Float switch

In the "A" version the pump is equipped with a float switch. Depending on the fill level, it is possible to switch

the pump on and off automatically, by using the float switch.

Plug

In the “P” and “A” version, a shockproof plug is attached for single-phase AC motors and a CEE plug is attached for three-phase current motors. The plug is designed for use in commercially available shock-proof or CEE sockets and is **not** overflow-proof.

4.2 Monitoring devices

Monitoring of motor winding

The thermal motor monitoring protects the motor winding from overheating. Temperature limiter with bimetallic strip is fitted as standard.

Thermal motor monitoring is self-switching for single-phase current motors, i.e. if the motor is switched off due to overheating and then cools down, it is automatically switched on again.

For three-phase current motors, the thermal motor monitoring must be connected in the switchgear or plug.

Sealing chamber monitoring

The sealing chamber can be equipped with an external pencil electrode. The electrode registers fluid ingress through the mechanical seal on the fluid side. An alarm or deactivation of the pump can therefore take place through pump control.

4.3 Operating modes

Operating mode S1: Continuous duty

The pump can operate continuously at the rated load without exceeding the permissible temperature.

Operating mode S2: Short-time duty

The maximum operating period is specified in minutes, e.g. S2-15. The pause must last until the machine temperature no longer differs from the temperature of the coolant by more than 2 K.

Operating mode S3: Intermittent periodic duty

This operating mode defines a switching cycle in a combination of periods of operation and standstill. Specified value (e.g. S3 25 %) relates to the operating time. The switching cycle has a duration of 10 min.

If two values (e.g. S3 25 %/120 s) are specified, the first value relates to the operating time. The second value specifies the max. period of the switching cycle.

4.4 Operation with frequency converter

Operation on the frequency converter is not permitted.

4.5 Operation in an explosive atmosphere

Operation in an explosive atmosphere is not permitted.

4.6 Technical data

General	
Mains connection [U/f]	See rating plate
Power consumption [P ₁]	See rating plate
Rated power [P ₂]	See rating plate
Maximum delivery head [H]	See rating plate
Max. volume flow [Q]	See rating plate
Activation type [AT]	See rating plate
Fluid temperature [t]	3...40 °C
Protection class	IP68
Insulation class [Cl.]	F
Speed [n]	See rating plate
Max. switching frequency	30/h
Max. immersion depth [8]	See rating plate
Cable length (standard version)	10 m
Explosion protection	-
Operating modes	
Immersed [OTs]	S1
Non-immersed [OTe]	S2-15, S3 10 %*
Pressure connection	
FIT V05...	DN 50, PN 10
FIT V06...	DN 65/80, PN 10
FIT V08...	DN 80/100, PN 10
FIT V10...	DN 100, PN 10
Suction port	
FIT V05...	DN 50, PN 10
FIT V06...	DN 65, PN 10
FIT V08...	DN 80, PN 10
FIT V10...	DN 100, PN 10

* Operating mode S3 25 % is permitted if the necessary motor cooling is guaranteed before the motor is switched on again! To ensure the required cooling, the motor must be completely immersed for at least 1 min.

4.7 Type key

Example: Wilo-Rexa FIT V06DA-110/EAD1-2-T0015-540-P	
FIT	Series
V	Impeller = vortex impeller
06	Nominal diameter of pressure connection
D	Hydraulic version: D = suction side drilled acc. to DIN N = suction side drilled according to ANSI
A	Hydraulics material version: standard
110	Hydraulics definition
E	Motor version: surface-cooled motor
A	“Motor” material version: standard
D	Seal: two mechanical seals
1	IE-efficiency class (derived from IEC 60034-30)
-	Not Ex-rated
2	Number of poles
T	Mains connection version: M = 1~, T = 3~
001	/10 = rated power P_2 in kW
5	
5	Frequency mains connection: 5 = 50 Hz, 6 = 60 Hz
40	Code for rated voltage
P	Additional electrical equipment: O = with bare cable end A = with float switch and plug P = with plug

4.8 Scope of delivery

- Pump with 10 m (33 ft) cable
- Single-phase current version with
 - Shockproof plug
 - Float switch and shockproof plug
- Three-phase current version with
 - Bare cable end
 - Float switch and CEE plug
- Installation and operating instructions

4.9 Accessories

- Cable lengths in fixed length increments of 10 m (33 ft) up to max. 30 m (99 ft) in single-phase current version or max. 50 m (164 ft) in three-phase current version
- Suspension unit
- Pump support foot
- External pencil electrode for sealing chamber control
- Level control devices
- Fixation accessories and chains
- Switchgear, relays and plugs

5 Transportation and storage

5.1 Delivery

After receiving the shipment, this must be checked immediately for defects (damage, completeness). Defects must be noted on the freight documentation! Furthermore, defects must be notified to the transport company or the manufacturer immediately on the day of receipt of shipment. Subsequently notified defects can no longer be asserted.

5.2 Transport



WARNING

Standing under suspended loads!

Never allow anyone to stand under suspended loads! Danger of (serious) injuries caused by falling parts. Loads may not be carried over work places where people are present!



WARNING

Head and foot injuries due to a lack of protective equipment!

Danger of (serious) injuries during work. Wear the following protective equipment:

- Safety shoes
- Safety helmet must be worn if lifting equipment are used!



NOTICE

Only use lifting equipment in a technically sound condition!

Only use lifting equipment in a technically sound condition for lifting, lowering and transporting the pump. Ensure that the pump does not become jammed during lifting and lowering. Do **not** exceed the max. permissible bearing capacity of the lifting equipment!

CAUTION

Soaked packaging may tear!

The product may fall on the ground if unprotected and may be damaged. Lift wet packaging carefully and replace it immediately!

Only remove the outer packaging at the place of utilisation to ensure that the pump is not damaged during transport. Use tear-proof plastic sacks of sufficient size to package used pumps for transport in a leak-proof manner.

The following points must also be observed:

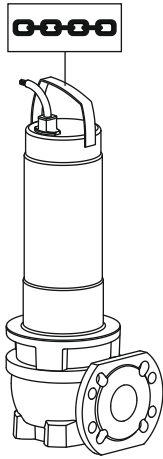


Fig. 2: Attachment point

- Adhere to the applicable national safety regulations.
- Use legally specified and approved lifting gear.
- Select the lifting gear based on the existing conditions (weather, attachment point, load, etc.).
- Only attach the lifting gear to the attachment point. Fix with a shackle.
- Use lifting equipment with sufficient bearing capacity.
- The stability of the lifting equipment must be ensured during operation.
- When using lifting equipment, a second person must be present to coordinate the procedure if required (e.g. if the operator's field of vision is blocked).

5.3 Storage



DANGER

Danger due to fluids hazardous to health!

If the pump is used in fluids hazardous to health, decontaminate the pump after dismantling and before carrying out any other work! There is a risk of fatal injury! Observe the specifications in the work regulations! The operator must make sure that the personnel have received and read the work regulations!



WARNING

Sharp edges on the impeller and suction port!

Sharp edges can form on the impeller and suction port. There is danger of limbs being severed! Protective gloves must be worn to protect from cuts.

CAUTION

Total damage due to moisture ingress

Moisture ingress in the power supply cable damages the power supply cable and the pump! Never immerse the end of the power supply cable in a fluid and firmly seal it during storage.

Newly supplied pumps can be stored for one year. Contact customer service to store the pump for more than one year.

The following must be observed for storage:

- Place the pump upright (vertical) on a firm bearing surface and **secure it against slipping and falling over!**
- The max. storage temperature is -15 °C to $+60\text{ °C}$ (5 °F to 140 °F) at a max. relative humidity of 90 %, non-condensing. Frost-proof storage at a temperature of 5 °C to 25 °C (41 °F to 77 °F) with relative humidity of 40 % to 50 % is recommended.
- Do not store the pump in rooms in which welding work is carried out. The resulting gases or radiation can corrode the elastomer parts and coatings.
- Seal the suction and pressure connection tightly.
- Protect power supply cables against kinking and damage.
- Protect the pump from direct sunlight and heat. Extreme heat can cause damage to the impellers and the coating!
- Impellers must be turned by 180 ° at regular intervals (3 – 6 months). This prevents locking of the bearings and renews the lubrication film of the mechanical seal.

WARNING! There is a risk of injury due to sharp edges on the impeller and suction port!

- Elastomer parts and the coating are subject to natural brittleness. Contact customer service if the pump must be stored for more than 6 months.

After storage, remove any dust and oil from the pump and check the coating for damage. Repair damaged coatings before further use.

6 Installation and electrical connection

6.1 Personnel qualifications

- Electrical work: A qualified electrician must carry out the electrical work.
- Installation/dismantling: The technician must be trained in the use of the necessary tools and fixation materials for the relevant construction site.

6.2 Installation types

- Vertical stationary wet well installation with suspension unit

- Vertical portable wet well installation with pump support foot

The following installation types are **not** permitted:

- Dry well installation
- Horizontal installation

6.3 Operator responsibilities

- Observe locally applicable accident prevention and safety regulations of trade associations.
- Observe all regulations for working with heavy loads and under suspended loads.
- Provide protective equipment and ensure that the protective equipment is worn by personnel.
- Observe local sewage technology regulations for the operation of sewage systems.
- Avoid pressure surges!
Pressure surges can occur in long pressure pipes with steep terrain. These pressure surges can lead to the destruction of the pump!
- Ensure the cooling time of the motor depending on the operating conditions and the size of the pump chamber.
- Structural components and foundations must be of sufficient stability in order to allow the device to be fixed securely and functionally. The operator is responsible for the provision and suitability of the structural component/foundation!
- Check that the available consulting documents (installation plans, design of the operating space, inflow conditions) are complete and correct.

6.4 Installation



DANGER

Risk of fatal injury due to dangerous lone working practices!

Work in chambers and narrow rooms as well as work involving risk of falling are dangerous work. Such work may not be carried out autonomously! A second person must be present for safety reasons.



WARNING

Hand and foot injuries due to lack of protective equipment!

Danger of (serious) injuries during work. Wear the following protective equipment:



- Safety gloves for protection against cuts
- Safety shoes
- Safety helmet must be worn if lifting equipment are used!



NOTICE

Only use lifting equipment in a technically sound condition!

Only use lifting equipment in a technically sound condition for lifting, lowering and transporting the pump. Ensure that the pump does not become jammed during lifting and lowering. Do **not** exceed the max. permissible bearing capacity of the lifting equipment!



NOTICE

Emerging of the motor during operation

If the motor emerges during operation, the specifications for "Operating mode non-immersed" must be complied with!

To ensure that the motor is cooled during continuous duty, the motor must be immersed completely before switching it on again!

- Prepare operating space/installation location as follows:
 - Clean, free of coarse solids
 - Dry well
 - Frost-free
 - Decontaminated
- Take immediate countermeasures if there is a build-up of toxic or suffocating gases!
- Use the handle for lifting, lowering and transporting the pump. Never carry or drag the pump by the power supply cable!
- It must be possible to attach lifting equipment safely. The storage place and the operating space/installation site must be accessible with the lifting equipment. The set-down location must have a solid bearing surface.
- Attach the lifting gear to the handle using a shackle. Only use lifting gear which has been technically approved.
- The routed power supply cables must allow safe operation. Check whether the cable cross-section and the cable length are sufficient for the selected installation type.
- The corresponding IP class must be observed when using switchgear. Install the switchgear overflow-proof and outside potentially explosive areas!
- Avoid air intake into the fluid, use baffles or deflector plates for the inlet. Air which has entered the system can collect in the pipe system and lead to impermissible operating conditions. Air pockets must be removed via ventilation systems!
- A dry run of the pump is prohibited! Avoid air pockets in the hydraulics housing or in the pipe system. Ensure the

water level never falls below the minimum. The installation of a dry-running protection is recommended!

6.4.1 Indications for double pump operation

If several pumps are used in an operating space, minimum distances between the pumps and the wall must be complied with. Here there is a difference in the distances depending on the type of system: Alternating operation or parallel operation.

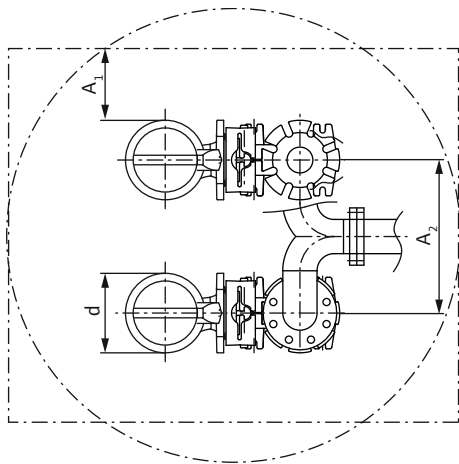


Fig. 3: Minimum distances

d	Diameter hydraulics housing
A ₁	Minimum distance from the wall: – alternating operation: min. $0.3 \times d$ – parallel operation: min. $1 \times d$
A ₂	Distance to pressure pipes – alternating operation: min. $1.5 \times d$ – parallel operation: min. $2 \times d$

6.4.2 Maintenance tasks

After a storage period of more than 6 months, carry out the following maintenance tasks before installation:

- Rotate the impeller.
- Check the oil in the sealing chamber.

6.4.2.1 Rotate impeller



WARNING

Sharp edges on the impeller and suction port!

Sharp edges can form on the impeller and suction port. There is danger of limbs being severed! Protective gloves must be worn to protect from cuts.

- ✓ Pump is **not** connected to the mains!
- ✓ Protective equipment has been put on!

1. Place the pump horizontally on a firm surface. **WARNING! Risk of hands being crushed. Ensure that the pump cannot fall over or slip away!**
2. Reach into the hydraulics housing carefully and slowly from below and turn the impeller.

6.4.2.2 Check oil in the sealing chamber

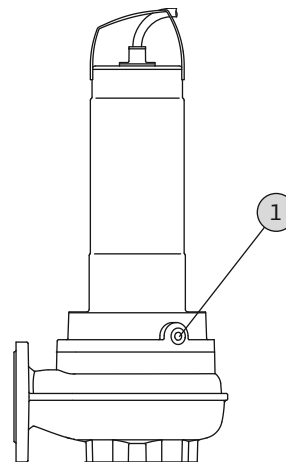


Fig. 4: Sealing chamber: Check the oil

1 Screw plug sealing chamber

- ✓ Pump is **not** installed.
 - ✓ Pump is **not** connected to the mains.
 - ✓ Protective equipment has been put on!
1. Place the pump horizontally on a firm surface. The screw plug points upwards. **WARNING! Risk of hands being crushed. Ensure that the pump cannot fall over or slip away!**
 2. Unscrew the screw plug.
 3. Place a suitable tank to collect the operating fluid.
 4. Drain the operating fluid: Rotate the pump until the opening points downwards.
 5. Check the operating fluid:
 - ⇒ If the operating fluid is clear, reuse operating fluid.
 - ⇒ If the operating fluid is contaminated (black), fill with new operating fluid. Dispose of operating fluid in accordance with the local regulations!
 - ⇒ Notify customer service if an operating fluid contains metal chips!
 6. Pour in operating fluid: Rotate the pump until the opening points upwards. Fill-in the operating fluid into the opening.
 - ⇒ Comply with the specifications for operating fluid locations and quantity! When recycling the operating fluid, check the quantity and if required adjust it!

7. Clean the screw plug, replace the seal ring and screw it back in. **Max. tightening torque: 8 Nm (5.9 ft lb)!**

6.4.3 Stationary wet well installation



NOTICE

Delivery problems due to water level being too low

The hydraulics are self-venting. As a result, smaller air cushions are dissolved during the pumping process. If the level of the fluid is lowered too much, the volume flow can be interrupted. The minimum permissible water level must reach the upper edge of the hydraulics housing!

The pump is installed in the fluid for the wet well installation. For this, a suspension unit must be installed in the chamber. On the pressure side, the on-site pipe system is connected to the suspension unit and on the suction side to the pump. The connected pipe system must be self-supporting. The suspension unit must **not** support the pipe system!

CAUTION! If the motor emerges during operation, observe the operating mode for non-immersed operation (S2-15, S3 10 %*)!

* Operating mode S3 25 % is permitted if the necessary motor cooling is guaranteed before the motor is switched on again! To ensure the required cooling, the motor must be completely immersed for at least 1 min.

Work steps

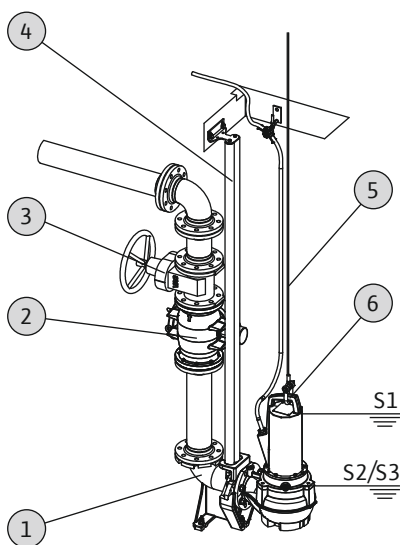


Fig. 5: Stationary wet well installation

1	Suspension unit
2	Non-return valve

3	Stop valve
4	Guide pipe (provided by the customer)
5	Lifting equipment
6	Attachment point for the lifting equipment

- ✓ Operating space/installation location is prepared for the installation.
- ✓ Suspension unit and pipe system were installed.
- ✓ Pump is prepared for operation on the suspension unit.
 1. Use a shackle to attach the lifting equipment to the attachment point of the pump.
 2. Lift the pump, swivel it above the chamber opening and slowly lower the guide claw onto the guide pipe.
 3. Lower the pump until it sets on the suspension unit and is connected automatically. **CAUTION! Hold the power supply cables slightly taut when lowering the pump!**
 4. Loosen the lifting equipment from the lifting gear and secure it at the chamber outlet against falling.
 5. Have the power supply cables routed into the chamber by a qualified electrician and route it outside properly from the chamber.
- The pump is installed, the qualified electrician can make the electrical connection.

6.4.4 Portable wet well installation



WARNING

Risk of burns from hot surfaces!

Motor housing can become hot during operation. It may cause burns. Allow the pump to cool down at ambient temperature after switching it off!



WARNING

Separation of pressure hose!

Separation or movement of the pressure hose can lead to (serious) injuries. Securely attach the pressure hose to the outlet! Prevent buckling of the pressure hose.



NOTICE

Delivery problems due to water level being too low

The hydraulics are self-venting. As a result, smaller air cushions are dissolved during the pumping process. If the level of the fluid is lowered too much, the volume flow can be interrupted. The minimum permissible water level must reach the upper edge of the hydraulics housing!

For portable installation, the pump must be equipped with a pump support foot. The pump support foot ensures minimum ground clearance in the suction area and enables secure footing if placed on a solid bearing surface. In this installation type, the pump can be installed anywhere in the operating space/installation site. A hard base must be used at the installation location to prevent sinking in case of soft bearing surfaces. A pressure hose is connected on the pressure side. If operated for longer periods of time, fix the pump firmly to the floor. This prevents vibration and ensures quiet and low-wearing running.

CAUTION! If the motor emerges during operation, observe the operating mode for non-immersed operation (S2-15, S3 10 %*)!

* Operating mode S3 25 % is permitted if the necessary motor cooling is guaranteed before the motor is switched on again! To ensure the required cooling, the motor must be completely immersed for at least 1 min.

Work steps

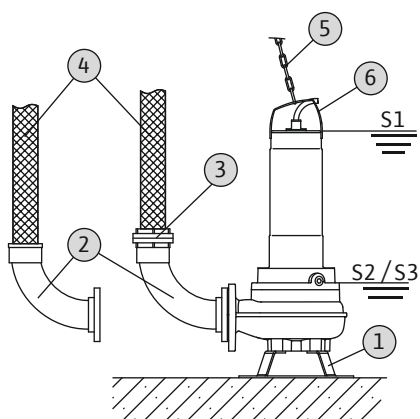


Fig. 6: Portable wet well installation

1	Pump support foot
2	Pipe elbow with hose connection or Storz pipe coupling
3	Storz hose coupling
4	Pressure hose

5	Lifting equipment
6	Attachment point

- ✓ Pump support foot mounted.
 - ✓ Pressure connection prepared: Pipe elbow with hose connection or pipe elbow with Storz coupling mounted.
1. Use a shackle to attach the lifting equipment to the attachment point of the pump.
 2. Lift the pump and lower it at the intended location (chamber, pit).
 3. Place the pump on a solid bearing surface. **CAUTION! Sinking must be prevented!**
 4. Lay the pressure hose and fasten it to a certain point (e.g. drainage). **DANGER! Separation or movement of the pressure hose can lead to (serious) injuries! Securely attach the pressure hose to the outlet.**
 5. Lay the power supply cable properly. **CAUTION! Do not damage the power supply cable!**
- The pump is installed, the qualified electrician can make the electrical connection.

6.4.5 Level control

With a level control device, the current fill levels are determined and the pump is switched on and off automatically depending on the fill levels. Fill levels are recorded by using different sensor types (float switches, pressure and ultrasound measurements or electrodes). The following must be observed when using a level control device:

- Float switches can move freely!
- The water level must **not fall below** the minimum permissible!
- The maximum switching frequency **must not be exceeded!**
- If the fill levels fluctuate strongly, a level control with two measuring points is recommended. This makes it possible to achieve larger differential gaps.

Use of attached float switch

The "A" version is equipped with a float switch. The pump is switched on and off depending on the fill level. The switching level is determined by the cable length of the float switch.

Use of on-site level controls

When using an on-site level control device, refer to the manufacturer's own installation and operating instructions for specifications on the installation.

6.4.6 Dry-running protection

Dry-running protection must prevent the pump from operating without fluid and air from entering the hydraulics. The minimum permissible fill level must be determined with the help of a signal transmitter. Once the specified limit value is reached, the pump must be deactivated with an appropriate signal. Dry-running protection can expand the available level controls by an additional measuring point or function as an independent switch-off device. Depending on the system security, the pump can be restarted automatically or manually. Installation of dry-running protection is recommended for optimum operational reliability.

6.5 Electrical connection



DANGER

Risk of death due to electrocution!

Improper conduct when carrying out electrical work can lead to death due to electric shock! Electrical work must be carried out by a qualified electrician in accordance with the locally applicable regulations.

- The mains connection must match the specifications on the rating plate.
- Power supply on mains side for three-phase current motors with clockwise rotating field.
- Lay the power supply cables in accordance with the locally applicable regulations and connect them according to the wire assignment.
- Connect the monitoring devices and check their function.
- Earth the device properly in accordance with applicable local regulations.

6.5.1 Fuse on mains side

Circuit breaker

The size of the circuit breakers conforms to the rated current of the pump. The switching characteristics should comply with group B or C. Observe local regulations.

Motor protection switch

Make provision for an on-site motor protection switch for devices without a plug! The minimum requirement is a thermal relay/motor protection switch with temperature compensation, differential triggering and anti-reactivation device in accordance with the local regulations. In case of sensitive mains, make provision for the installa-

tion on-site of other protective equipment (e.g. over-voltage, undervoltage or phase failure relay, etc.).

Residual-current device (RCD)

Comply with the regulations of the local energy supply company! The use of a residual-current device is recommended.

If persons come into contact with the device and conductive fluids, secure the connection **with** a residual-current device (RCD).

6.5.2 Maintenance tasks

Carry out the following maintenance tasks prior to installation:

- Check the insulation resistance of the motor winding.
- Test the resistor of the temperature sensor.
- Test the resistor of the pencil electrode (optionally available).

If the measured values differ from the specifications, moisture may have penetrated into the motor or the power supply cable or the monitoring device is defective. Contact customer service in the event of a fault.

6.5.2.1 Checking the insulation resistance of the motor winding

Use an insulation tester to measure the insulation resistance (measuring voltage = 1000 V). Observe the following values:

- At the time of initial commissioning: Insulation resistance may not be less than 20 MΩ.
- For further measurements: Value must be greater than 2 MΩ.

NOTICE! For motors with an integrated capacitor, short-circuit the windings prior to checking!

6.5.2.2 Test the resistor of the temperature sensor

Measure the resistor of the temperature sensors with an ohmmeter. The bimetallic strips must have a measured value of 0 Ohm (passage).

6.5.2.3 Testing the resistor of the external electrode for sealing chamber control

Measure the resistor of the electrode with an ohmmeter. The measured value must approach "infinity". For values ≤ 30 kOhm, if there is water in the oil – change the oil!

6.5.3 Connection of the single-phase current motor

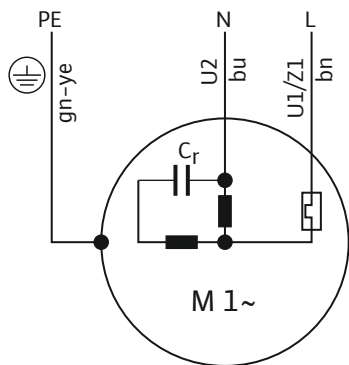


Fig. 7: Connection diagram single-phase current motor

Wire colour	Terminal
Brown (bn)	L
Blue (bu)	N
Green/yellow (gn-ye)	Earth

The single-phase current version is equipped with a shockproof plug. The connection to the mains is established by inserting the plug into a socket. The plug is **not** overflow-proof. **Install the socket so that it is overflow-proof!** Observe the information on the protection class (IP) of the plug.

DANGER! If the pump is connected directly to the switchgear, dismantle the plug and arrange for the electrical connection to be carried out by a qualified electrician!

6.5.4 Three-phase current motor connection

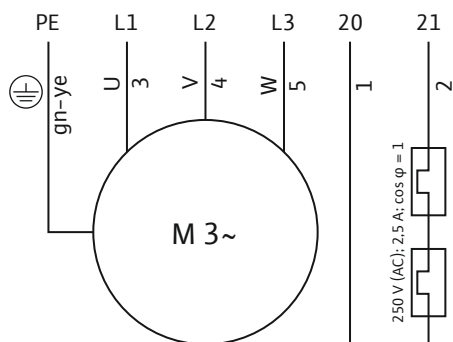


Fig. 8: Connection diagram three-phase current motor

Wire number	Designation	Terminal
1	20	WSK
2	21	WSK
3	U	L1
4	V	L2
5	W	L3

Green/yellow (gn-ye)	Earth	PE
----------------------	-------	----

For three-phase current motors, a clockwise rotating field must be available. The three-phase current version is equipped with a CEE plug or with a bare cable end:

- If a CEE plug is supplied, connection to the mains is established by inserting the plug into a socket. The plug is **not** overflow-proof. **Install the socket so that it is overflow-proof!** Observe the information on the protection class (IP) of the plug.
- If there is a bare cable-end, the pump must be connected directly to the switchgear. **DANGER! If the pump is connected directly to the switchgear, arrange for the electrical connection to be carried out by a qualified electrician!**

6.5.5 Monitoring device connection

All monitoring device must be connected!

6.5.5.1 Monitoring of motor winding

Single-phase current motor

Thermal motor monitoring is self-switching for single-phase current motors. The monitoring function is always active and does not need to be connected separately.

Three-phase current motor with bimetallic strip

Bimetallic strips are connected in the switchgear itself or via an evaluation relay.

Connection values: max. 250 V(AC), 2.5 A, cos φ = 1

When the threshold is reached, deactivation must take place.

In the version with an attached plug, the thermal motor monitoring is pre-wired and set to the correct value in the plug.

6.5.5.2 Sealing chamber monitoring (external electrode)

Connect the external electrode via an evaluation relay. Relay "NIV 101/A" is recommended for this. The threshold is 30 kOhm.

When the threshold is reached, a warning must be given or the unit must be switched off.

CAUTION

Connection of the sealing chamber control

If on reaching the threshold, there is only a warning, the pump could be irreparably damaged by the water ingress. Deactivation of the pump is always recommended!

6.5.6 Motor protection adjustment

Motor protection must be set depending on the selected activation type.

6.5.6.1 Direct activation

At full load, set the motor protection switch to the rated current (see rating plate). At partial load, it is recommended to set the motor protection switch 5 % above the current measured at the duty point.

6.5.6.2 Soft starter

At full load, set the motor protection switch to the rated current (see rating plate). At partial load, it is recommended to set the motor protection switch 5 % above the current measured at the duty point. The following points must also be observed:

- Power consumption must always be below the rated current.
- Complete starting and stopping within 30 s.
- To avoid power dissipation, bypass the electronic starter (soft start) once normal operation is reached.

6.5.7 Operation with frequency converter

Operation on the frequency converter is not permitted.

7 Commissioning



WARNING

Foot injuries due to a lack of protective equipment!

Danger of (serious) injuries during work. Wear safety shoes!

7.1 Personnel qualifications

- Electrical work: A qualified electrician must carry out the electrical work.
- Operation/control: Operating personnel must be instructed in the functioning of the complete system.

7.2 Operator responsibilities

- Providing installation and operating instructions by the pump or at a place specially reserved for it.
- Making the installation and operating instructions available in the language of the personnel.
- Making sure that the installation and operating instructions are read and understood by all personnel.
- All safety devices and emergency cut-outs on the system-side must be active and checked to ensure that they work properly.
- The pump is suitable for use under the specified operating conditions.

7.3 Direction of rotation check (for three-phase current motors only)

The pump is factory-checked and adjusted to the correct direction of rotation for a clockwise rotating field. Connection is made in accordance with the specifications in chapter "Electrical connection".

Direction of rotation check

A qualified electrician checks the rotating field at the mains connection with a rotating field-test device. For the correct direction of rotation, a clockwise rotating field must be available at the mains connection. The pump is **not** approved for operation with a counter-clockwise rotating field! **CAUTION! If the direction of rotation is checked with a test run, comply with the ambient and operating conditions!**

Incorrect direction of rotation

If the direction of rotation is incorrect, change the connection as follows:

- Swap two phases for motors with direct starting.
- Swap the connections of two windings (e.g. U1/V1 and U2/V2) for star-delta activation motors.

7.4 Before switching on

Check the following prior to activation:

- Check whether the device has been installed properly and in accordance with the locally applicable regulations:
 - Has the pump been earthed?
 - Layout of power supply cable tested?
 - Electrical connection made properly?
 - Mechanical components attached correctly?
- Check level control:
 - Float switches can move freely?
 - Switching level tested (pump on, pump off, minimum water level)?
 - Additional dry-running protection installed?
- Test operating conditions:
 - Min./max. temperature of the fluid tested?
 - Max. immersion depth tested?
 - Operating mode defined depending on the minimum water level?
 - Maximum switching frequency adhered to?
- Check installation location/operating space:
 - Pipe system on the pressure side free of deposits?
 - Inlet or pump sump cleaned or free of deposits?
 - All gate valves open?
 - Minimum water level defined and monitored?

The hydraulics housing must be filled completely with the fluid and there must be no air cushions in the hydraulics. **NOTICE! Provide suitable venting devices if**

there is a risk of air cushions being formed in the system!

7.5 Switching on and off

During the start process, the rated current is temporarily exceeded. During operation, the rated current may no longer be exceeded. **CAUTION! If the pump does not start, switch off the pump immediately. Remove the fault before reactivating the pump!**

Place pumps which are installed as portable pumps on a firm surface so they are level. If pumps have fallen over, place them upright again before activating them. Securely attach the pump with screws in case of difficult surfaces.

Pump with attached float switch and plug

- Single-phase current version: After inserting the plug into the socket, the pump is ready for operation. The pump is switched on and off automatically depending on the fill level.
- Three-phase current version: After inserting the plug into the socket, the pump is ready for operation. The pump is controlled via two switches on the plug:
 - MANUAL/AUTO: Determines if the pump is switched on and off directly (MANUAL) or depending on the fill level (AUTO).
 - ON/OFF: Switch pump on and off.

Pump with attached plug

- Single-phase current version: After inserting the plug into the socket, the pump is switched on.
- Three-phase current version: After inserting the plug into the socket, the pump is ready for operation. The pump is switched on and off with the ON/OFF switch.

Pumps with bare cable end

The pump must be switched on and off using a separate operating point (on/off switch, switchgear) provided by the customer.

7.6 During operation



WARNING

Amputation of limbs due to rotating components!

No persons must be present in the work area of the pump! There is risk of (serious) injuries due to rotating components! No persons must be present in the work area of the pump during start-up or operation.



WARNING

Risk of burns from hot surfaces!

Motor housing can become hot during operation. It may cause burns. Allow the pump to cool down at ambient temperature after switching it off!



NOTICE

Delivery problems due to water level being too low

The hydraulics are self-venting. As a result, smaller air cushions are dissolved during the pumping process. If the level of the fluid is lowered too much, the volume flow can be interrupted. The minimum permissible water level must reach the upper edge of the hydraulics housing!

When operating the pump, observe the locally applicable regulations on the following topics:

- Work safety
- Accident prevention
- Handling electrical machines

Strictly adhere to the responsibilities of the personnel specified by the operator. All personnel are responsible for ensuring that the responsibilities of the personnel and the regulations are observed!

Due to their design, centrifugal pumps have rotating parts that are easily accessible. Depending on the operating condition, sharp edges can develop on these parts.

WARNING! This can lead to cuts and limbs may be severed! Check the following at regular intervals:

- Operating voltage (+/- 10 % of the rated voltage)
- Frequency (+/- 2 % of the rated frequency)
- Power consumption between individual phases (max. 5 %)
- Voltage difference between the individual phases (max. 1 %)
- Max. switching frequency
- Minimum water submersion depending on the operating mode
- Inlet: no air intake
- Level control device/dry-running protection: Switching points
- Quiet/low-vibration running
- All gate valves open

8 Decommissioning/dismantling

8.1 Personnel qualifications

- Operation/control: Operating personnel must be instructed in the functioning of the complete system.
- Electrical work: A qualified electrician must carry out the electrical work.
- Installation/dismantling: The technician must be trained in the use of the necessary tools and fixation materials for the relevant construction site.

8.2 Operator responsibilities

- Locally applicable accident prevention and safety regulations of trade associations.
- Observe regulations for working with heavy loads and under suspended loads.
- Provide the necessary protective equipment and make sure that the personnel wears it.
- Provide adequate aeration in closed rooms.
- Take immediate countermeasures if there is a build-up of toxic or suffocating gases!

8.3 Decommissioning

The pump is deactivated during decommissioning, but remains installed. This ensures that the pump is always ready for operation.

- ✓ To protect the pump from frost and ice, always immerse the pump completely in the fluid.
 - ✓ The temperature of the fluid must always be above +3 °C (+37 °F).
1. Switch off the pump at the operating point.
 2. Secure the operating point against being switched on again by unauthorised persons (e.g. lock main switch).
- The pump is out of operation and can now be dismantled.
- If the pump remains installed after decommissioning, observe the following:
- Ensure that the prerequisites for decommissioning are maintained for the complete period of decommissioning. If these prerequisites cannot be guaranteed, dismantle the pump after decommissioning!
 - For an extended period of decommissioning, carry out a 5-minute function test at regular intervals (monthly to quarterly). **CAUTION! A function test may only be carried out under the applicable operating conditions. A dry run is not permitted! Non-compliance can result in irreparable damage!**

8.4 Removal



DANGER

Danger due to fluids hazardous to health!

If the pump is used in fluids hazardous to health, decontaminate the pump after dismantling and before carrying out any other work! There is a risk of fatal injury! Observe the specifications in the work regulations! The operator must make sure that the personnel have received and read the work regulations!



DANGER

Risk of death due to electrocution!

Improper conduct when carrying out electrical work can lead to death due to electric shock! Electrical work must be carried out by a qualified electrician in accordance with the locally applicable regulations.



DANGER

Risk of fatal injury due to dangerous lone working practices!

Work in chambers and narrow rooms as well as work involving risk of falling are dangerous work. Such work may not be carried out autonomously! A second person must be present for safety reasons.



WARNING

Risk of burns from hot surfaces!

Motor housing can become hot during operation. It may cause burns. Allow the pump to cool down at ambient temperature after switching it off!



NOTICE

Only use lifting equipment in a technically sound condition!

Only use lifting equipment in a technically sound condition for lifting, lowering and transporting the pump. Ensure that the pump does not become jammed during lifting and lowering. Do **not** exceed the max. permissible bearing capacity of the lifting equipment!

8.4.1 Stationary wet well installation

- ✓ Pump is decommissioned.
 - ✓ Gate valves on the inlet and pressure side closed.
1. Disconnect the pump from the mains.

2. Attach the lifting equipment to the attachment point.
CAUTION! Never pull on the power supply cable! This damages the power supply cable!
3. Slowly raise the pump and lift above the guide pipes from the operating space. **CAUTION! The power supply cable can be damaged while lifting! Hold the power supply cable slightly taut when lifting!**
4. Clean the pump thoroughly (see point "Cleaning and disinfecting"). **DANGER! Disinfect the pump when used in fluids hazardous to health!**

8.4.2 Portable wet well installation

- ✓ Pump is taken out of operation.
 1. Disconnect the pump from the mains.
 2. Roll up the power supply cable and place it over the motor housing. **CAUTION! Never pull on the power supply cable! This damages the power supply cable!**
 3. Loosen the pressure pipe from the pressure port.
 4. Attach the lifting equipment to the attachment point.
 5. Lift the pump from the operating space. **CAUTION! The power supply cable may be squeezed and damaged when setting the pump down! Pay attention to the power supply cable when setting the pump down!**
 6. Clean the pump thoroughly (see point "Cleaning and disinfecting"). **DANGER! Disinfect the pump when used in fluids hazardous to health!**

8.4.3 Clean and disinfect



DANGER

Danger due to fluids hazardous to health!

Danger to life if the pump is used in fluids hazardous to health! Decontaminate the pump before carrying out any further work! Wear the following protective equipment while performing cleaning tasks:

- Closed safety goggles
- Breathing mask
- Protective gloves

⇒ **The equipment listed here is the minimum requirement, observe the specifications of the work regulations! The operator must make sure that the personnel have received and read the work regulations!**



- ✓ Pump is dismantled.

- ✓ The contaminated cleaning water is disposed of in the sewage in accordance with the locally applicable regulations.
- ✓ A disinfectant is provided for contaminated pumps.
 1. Attach the lifting equipment to the attachment point of the pump.
 2. Lift the pump approximately 30 cm above the ground.
 3. Spray the pump with clear water from top to bottom.
NOTICE! An appropriate disinfectant must be used for contaminated pumps! Strictly observe the manufacturer's specifications concerning use!
 4. To clean the impeller and the interior pump space, guide the water jet inside via the pressure port.
 5. Flush all dirt residue onto the floor of the channel.
 6. Allow the pump to dry out.

9 Maintenance and repair



DANGER

Danger due to fluids hazardous to health!

If the pump is used in fluids hazardous to health, decontaminate the pump after dismantling and before carrying out any other work! There is a risk of fatal injury! Observe the specifications in the work regulations! The operator must make sure that the personnel have received and read the work regulations!



NOTICE

Only use lifting equipment in a technically sound condition!

Only use lifting equipment in a technically sound condition for lifting, lowering and transporting the pump. Ensure that the pump does not become jammed during lifting and lowering. Do **not** exceed the max. permissible bearing capacity of the lifting equipment!

- Always carry out maintenance tasks in a clean location with good lighting. It must be possible to position the pump safely and secure it.
- Only carry out maintenance tasks mentioned in these installation and operating instructions.
- Wear the following protective equipment while performing maintenance tasks:
 - Safety goggles
 - Safety shoes
 - Safety gloves

9.1 Personnel qualifications

- Electrical work: A qualified electrician must carry out the electrical work.
- Maintenance tasks: The technician must be familiar with the use of operating fluids and their disposal. In addition, the technician must have basic knowledge of mechanical engineering.

9.2 Operator responsibilities

- Provide the necessary protective equipment and make sure that the personnel wears it.
- Collect operating fluids in suitable tanks and dispose of properly.
- Dispose of protective clothing used in accordance with regulations.
- Use only original parts of the manufacturer. Use of parts other than the original parts releases the manufacturer from any liability.
- Collect any leakage of fluid and operating fluid immediately and dispose of it according to the locally applicable guidelines.
- Provide the tools required.
- If flammable solvents and cleaning agents are used, open flames, naked lights and smoking are prohibited.

9.3 Operating fluid

9.3.1 Oil types

Biological white oil is filled-in into the sealing chamber. The following oil types are recommended when changing the oil:

- Aral Autin PL*
- Shell ONDINA 919
- Esso MARCOL 52* or 82*
- BP WHITEMORE WOM 14*
- Texaco Pharmaceutical 30* or 40*

All oil types marked with "*" are approved for use with foods in accordance with "USDA-H1".

9.3.2 Filling quantities

The filling quantities depend on the pump type:

- Rexa FIT V.../EAD1-2...: 900 ml (30 US.fl.oz.)
- Rexa FIT V.../EAD1-4...: 1500 ml (51 US.fl.oz.)

9.4 Maintenance intervals

To ensure reliable operation, maintenance tasks must be carried out regularly. Depending on the real ambient temperatures, maintenance intervals different from those mentioned in the contract can be defined! If strong vibrations occur during operation, the pump and

the installation must be checked regardless of the defined maintenance intervals.

9.4.1 Maintenance intervals for normal conditions

2 years

- Visual inspection of the power supply cable
- Visual inspection of accessories
- Visual inspection of the housing for wear
- Function test of monitoring devices
- Oil change

NOTICE! If sealing chamber control is installed, the oil is changed according to the indicator!

9.4.2 Maintenance intervals for use in sewage lifting units

When the pump is used in sewage lifting units inside buildings or on plots of land, carry out maintenance intervals and measures in accordance with

DIN EN 12056-4!

9.4.3 Maintenance intervals for harsh conditions

Under harsh operating conditions, specified maintenance intervals must be shortened if required. Harsh operating conditions include:

- Fluids with long-fibre components
- Turbulent inlet (e.g. due to air intake, cavitation)
- Strongly corroding or abrasive fluids
- Heavily gas generating fluids
- Operation at an unfavourable duty point
- Pressure surges

When using pumps under hard conditions, it is recommended to sign a maintenance contract. Contact customer service.

9.5 Maintenance measures



WARNING

Sharp edges on the impeller and suction port!

Sharp edges can form on the impeller and suction port. There is danger of limbs being severed! Protective gloves must be worn to protect from cuts.



WARNING

Hand, foot or eye injuries due to the absence of protective equipment!

Danger of (serious) injuries during work. Wear the following protective equipment:



- Safety gloves for protection against cuts
- Safety shoes
- Closed safety goggles

The following pre-requisites must be fulfilled prior to starting maintenance measures:

- Pump cooled down to the ambient temperature.
- Pump cleaned thoroughly and disinfected (if required).

9.5.1 Recommended maintenance measures

Regular inspection of power consumption and the operating voltage in all three phases is recommended for smooth operation. In normal operation, these values remain constant. Slight fluctuations depend on the characteristics of the fluid. Power consumption can provide an early indication of damage or malfunctions in the impeller, bearings or motor, which can be rectified. Larger voltage fluctuations strain the motor winding and can cause the pump to break down. Regular inspections can therefore largely prevent major secondary damage and reduce the risk of total breakdown. In this regard, it is recommended to use remote monitoring for regular inspections.

9.5.2 Visual inspection of the power supply cable

The power supply cables must be checked for:

- Bubbles
- Cracks
- Scratches
- Abrasion
- Crushing

If the power supply cables are damaged, the pump must be decommissioned immediately! Customer service must replace the damaged power supply cable. The pump may only be started up again once the damage has been properly remedied.

CAUTION! Water may penetrate into the pump due to the damaged power supply cables! Water ingress leads to total damage of the pump.

9.5.3 Visual inspection of accessories

Accessories must be checked for:

- Correct fixation
- Smooth function
- Wear symptoms

Any defects detected must be repaired immediately or the accessories must be replaced.

9.5.4 Visual inspection of the housing for wear

The housing parts are not allowed to have any apparent damage. Contact customer service if defects are detected!

9.5.5 Function test of the monitoring device

To test resistances, the pump must be cooled down to the ambient temperature!

9.5.5.1 Test the resistor of the temperature sensor

Measure the resistor of the temperature sensors with an ohmmeter. The bimetallic strips must have a measured value of 0 Ohm (passage).

9.5.5.2 Testing the resistor of the external electrode for sealing chamber control

Measure the resistor of the electrode with an ohmmeter. The measured value must approach "infinity". For values ≤ 30 kOhm, if there is water in the oil – change the oil!

9.5.6 Oil change in sealing chamber



WARNING

Operating fluid under high pressure!

A pressure of **several bar can build up** in the motor! This pressure escapes when the screw plugs are **opened**. If screw plugs are opened without due caution, they can be ejected at high speed! To avoid injuries, observe the following instructions:

- Adhere to the prescribed sequence of work steps.
- Unscrew the screw plugs slowly, but never unscrew them completely. As soon as the pressure escapes (audible whistling or hissing of air), stop turning the screw plug any further!
- When the pressure has completely dissipated, fully unscrew the screw plugs.
- Wear closed safety goggles.



WARNING

Scalding due to hot operating fluids!

Hot operating fluids can also spray out when the pressure is escaping. This can result in scalding! To avoid injuries, the following instructions must be observed:

- Allow the pump to cool down to the ambient temperature then open the screw plugs.
- Wear closed safety goggles or face protection and gloves.

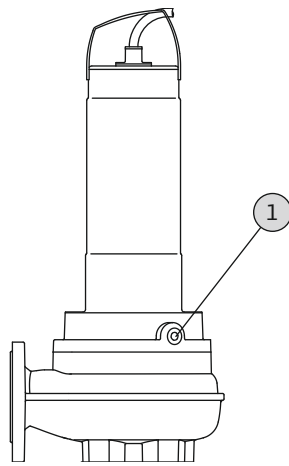


Fig. 9: Sealing chamber: Oil change

1	Screw plug sealing chamber
---	----------------------------

- ✓ Protective equipment has been put on!
 - ✓ Pump has been dismantled and cleaned (decontaminated if required).
1. Position the pump horizontally on a firm surface. The screw plug points upwards. **WARNING! Risk of hands being crushed. Ensure that the pump cannot fall over or slip away!**
 2. Unscrew the screw plug slowly, but do not unscrew it completely. **WARNING! Overpressure in the motor! Stop turning the screw plug further if hissing or whistling is audible! Wait until the pressure has completely dissipated.**
 3. After the pressure has dissipated, fully unscrew the screw plug.
 4. Place a suitable tank to collect the operating fluid.
 5. Drain the operating fluid: Rotate the pump until the opening points downwards.
 6. Check the operating fluid: Notify customer service if an operating fluid contains metal chips!
 7. Pour in operating fluid: Rotate the pump until the opening points upwards. Fill-in the operating fluid into the opening.
 - ⇒ Comply with the specifications for operating fluid locations and quantity!
 8. Clean the screw plug, replace the seal ring and screw it back in. **Max. tightening torque: 8 Nm (5.9 ft lb)!**

10 Faults, causes and remedies



DANGER

Danger due to fluids hazardous to health!

Danger of death in case of pumps with fluids hazardous to health! Wear the following protective equipment while performing the work:

- Closed safety goggles
- Breathing mask
- Protective gloves

⇒ **The equipment listed here is the minimum requirement, observe the specifications of the work regulations! The operator must make sure that the personnel have received and read the work regulations!**



DANGER

Risk of death due to electrocution!

Improper conduct when carrying out electrical work can lead to death due to electric shock! Electrical work must be carried out by a qualified electrician in accordance with the locally applicable regulations.



DANGER

Risk of fatal injury due to dangerous lone working practices!

Work in chambers and narrow rooms as well as work involving risk of falling are dangerous work. Such work may not be carried out autonomously! A second person must be present for safety reasons.



WARNING

No persons are allowed to be present inside the working area of the pump!

Persons may suffer (serious) injuries while the pump is in operation! No persons may therefore be present inside the working area. If persons must enter the working area of the pump, the pump must be decommissioned and secured against being switched on again without authorisation.



WARNING

Sharp edges on the impeller and suction port!

Sharp edges can form on the impeller and suction port. There is danger of limbs being severed! Protective gloves must be worn to protect from cuts.

Fault: Pump does not start

1. Electricity supply interrupted or short-circuit/earth fault in the cable or motor winding.
 - ⇒ Have the connection and motor checked by a qualified electrician and replace if necessary.
2. Tripping of fuses, of the motor protection switch or the monitoring device
 - ⇒ Have the connection and the monitoring device checked by a qualified electrician and change it if necessary.
 - ⇒ Have the motor protection switches and fuses installed and adjusted according to the technical specifications by a qualified electrician and reset monitoring device.
 - ⇒ Check the impeller to make sure that it runs smoothly, clean the hydraulics if necessary.
3. The sealing chamber control (optional) has interrupted the electric circuit (connection-related)
 - ⇒ See "Fault: Mechanical seal leakage, sealing chamber control reports a fault and switches the pump off".

Fault: Pump starts up, motor protection trips after short period

1. Motor protection switch set incorrectly.
 - ⇒ Have the adjustment of the trigger checked and corrected by a qualified electrician.
2. Increased power consumption due to major voltage drop.
 - ⇒ Have the voltage of individual phases checked by a qualified electrician. Contact the electricity distribution network.
3. There are only two phases at the connection.
 - ⇒ Have the connection checked and corrected by a qualified electrician.
4. Excessive differences in voltage between the phases.
 - ⇒ Have the voltage of individual phases checked by a qualified electrician. Contact the electricity distribution network.
5. Incorrect direction of rotation.
 - ⇒ Have the connection corrected by a qualified electrician.
6. Increased power consumption through jammed hydraulics.
 - ⇒ Clean the hydraulics and check the inlet.
7. The density of the fluid is too high.
 - ⇒ Contact customer service.

Fault: Pump runs, there is no volume flow

1. There is no fluid.
 - ⇒ Check the inlet, open all gate valves.

2. Inlet clogged.
 - ⇒ Check the inlet and remove clogging.
3. Hydraulics jammed.
 - ⇒ Clean the hydraulics.
4. Pipe system on the pressure side or pressure hose clogged.
 - ⇒ Remove clogging and replace the damaged components if necessary.
5. Intermittent operation.
 - ⇒ Check the switching system.

Fault: Pump starts, duty point is not reached

1. Inlet clogged.
 - ⇒ Check the inlet and remove clogging.
2. Slide valves on the pressure side closed.
 - ⇒ Open all gate valves completely.
3. Hydraulics jammed.
 - ⇒ Clean the hydraulics.
4. Incorrect direction of rotation.
 - ⇒ Have the connection corrected by a qualified electrician.
5. Air cushion in the pipe system.
 - ⇒ Vent the pipe system.
 - ⇒ If air cushions occur frequently: Locate and prevent the air intake, if required install ventilation systems at specified locations.
6. Pump pumping against excessive pressure.
 - ⇒ Open all gate valves on the pressure side completely.
 - ⇒ Check the impeller shape, use other impeller shapes if required. Contact customer service.
7. Signs of wear on the hydraulics.
 - ⇒ Have the components (impeller, suction port, pump housing) checked and replaced by customer service.
8. Pipe system on the pressure side or pressure hose clogged.
 - ⇒ Remove clogging and replace the damaged components if necessary.
9. Strongly gassing fluid.
 - ⇒ Contact customer service.
10. There are only two phases at the connection.
 - ⇒ Have the connection checked and corrected by a qualified electrician.
11. Excessive decrease in the fill level during operation.
 - ⇒ Check supply/capacity of the system.

- ⇒ Have the switching points of the level control checked and adjusted if necessary.

Fault: The pump does not run smoothly and is noisy

1. Improper duty point.
 - ⇒ Check the pump configuration and the duty point, contact customer service.
2. Hydraulics jammed.
 - ⇒ Clean the hydraulics.
3. Strongly gassing fluid.
 - ⇒ Contact customer service.
4. There are only two phases at the connection.
 - ⇒ Have the connection checked and corrected by a qualified electrician.
5. Incorrect direction of rotation.
 - ⇒ Have the connection corrected by a qualified electrician.
6. Signs of wear on the hydraulics.
 - ⇒ Have the components (impeller, suction port, pump housing) checked and replaced by customer service.
7. Motor bearings have worn.
 - ⇒ Inform customer service; send the pump back to the factory for overhauling.
8. Pump is installed under tension.
 - ⇒ Check installation, install rubber compensators if necessary.

Fault: Sealing chamber control reports fault or switches the pump off

1. Condensation water build-up due to extended storage or high temperature fluctuations.
 - ⇒ Operate the pump for a short period (max. 5 min.) without pencil electrode.
2. Increased leakage when running in new mechanical seals.
 - ⇒ Change the oil.
3. Pencil electrode cable is defective.
 - ⇒ Replace the pencil electrode.
4. Mechanical seal is defective.
 - ⇒ Inform customer service.

Further steps for troubleshooting

If the points listed here do not rectify the fault, customer service must be contacted. Customer service can provide the following remedies:

- Telephone or written support.
- On-site support.
- Inspection and repair of the pump at the factory.

Costs may be incurred if other services of the customer service are availed! For more details, please contact customer service.

11 Spare parts

Spare parts are ordered via customer service. To avoid return queries and incorrect orders, the serial or article number must always be supplied. **Subject to change without prior notice!**

12 Disposal

12.1 Oils and lubricants

Operating fluid must be collected in suitable tanks and disposed of in accordance with the locally applicable guidelines.

12.2 Protective clothing

Used protective clothing must be disposed of in accordance with the locally applicable guidelines.

12.3 Information on the collection of used electrical and electronic products

Proper disposal and appropriate recycling of this product prevents damage to the environment and danger to your personal health.



NOTICE

Disposal in domestic waste is forbidden!

In the European Union, this symbol can appear on the product, the packaging or the accompanying documentation. It means that the electrical and electronic products in question must not be disposed of along with domestic waste.

To ensure proper handling, recycling and disposal of the used products in question, please note the following points:

- Only hand over these products at designated, certified collecting points.
- Observe the locally applicable regulations!

Please consult your local municipality, the nearest waste disposal site, or the dealer who sold the product to you for information on proper disposal. Further recycling information can be found at www.wilo-recycling.com.







Wilo – International (Subsidiaries)

Argentina

WILO SALMSON
Argentina S.A.
C1295ABI Ciudad
Autónoma de Buenos Aires
T +54 11 4361 5929
carlos.musich@wilo.com.ar

Australia

WILO Australia Pty Limited
Murrarie, Queensland, 4172
T +61 7 3907 6900
chris.dayton@wilo.com.au

Austria

WILO Pumpen Österreich
GmbH
2351 Wiener Neudorf
T +43 507 507-0
office@wilo.at

Azerbaijan

WILO Caspian LLC
1065 Baku
T +994 12 5962372
info@wilo.az

Belarus

WILO Bel IOOO
220035 Minsk
T +375 17 3963446
wilo@wilo.by

Belgium

WILO NV/SA
1083 Ganshoren
T +32 2 4823333
info@wilo.be

Bulgaria

WILO Bulgaria EOOD
1125 Sofia
T +359 2 9701970
info@wilo.bg

Brazil

WILO Comercio e
Importacao Ltda
Jundiaí – São Paulo – Brasil
13.213-105
T +55 11 2923 9456
wilo@wilo-brasil.com.br

Canada

WILO Canada Inc.
Calgary, Alberta T2A 5L7
T +1 403 2769456
info@wilo-canada.com

China

WILO China Ltd.
101300 Beijing
T +86 10 58041888
wilobj@wilo.com.cn

Croatia

WILO Hrvatska d.o.o.
10430 Samobor
T +38 51 3430914
wilo-hrvatska@wilo.hr

Cuba

WILO SE
Oficina Comercial
Edificio Simona Apto 105
Siboney, La Habana. Cuba
T +53 5 2795135
T +53 7 272 2330
raul.rodriguez@wilo-cuba.com

Czech Republic

WILO CS, s.r.o.
25101 Cestlice
T +420 234 098711
info@wilo.cz

Denmark

WILO Danmark A/S
2690 Karlslunde
T +45 70 253312
wilo@wilo.dk

Estonia

WILO Eesti OÜ
12618 Tallinn
T +372 6 509780
info@wilo.ee

Finland

WILO Finland OY
02330 Espoo
T +358 207401540
wilo@wilo.fi

France

Wilo Salmson France S.A.S.
53005 Laval Cedex
T +33 2435 95400
info@wilo.fr

Great Britain

WILO (U.K.) Ltd.
Burton Upon Trent
DE14 2WJ
T +44 1283 523000
sales@wilo.co.uk

Greece

WILO Hellas SA
4569 Anixi (Attika)
T +302 10 6248300
wilo.info@wilo.gr

Hungary

WILO Magyarország Kft
2045 Törökbálint
(Budapest)
T +36 23 889500
wilo@wilo.hu

India

Wilo Mather and Platt Pumps
Private Limited
Pune 411019
T +91 20 27442100
services@matherplatt.com

Indonesia

PT. WILO Pumps Indonesia
Jakarta Timur, 13950
T +62 21 7247676
citrawilo@cbn.net.id

Ireland

WILO Ireland
Limerick
T +353 61 227566
sales@wilo.ie

Italy

WILO Italia s.r.l.
Via Novegro, 1/A20090
Segrate MI
T +39 25538351
wilo.italia@wilo.it

Kazakhstan

WILO Central Asia
050002 Almaty
T +7 727 312 40 10
info@wilo.kz

Korea

WILO Pumps Ltd.
20 Gangseo, Busan
T +82 51 950 8000
wilo@wilo.co.kr

Latvia

WILO Baltic SIA
1019 Riga
T +371 6714-5229
info@wilo.lv

Lebanon

WILO LEBANON SARL
Jdeideh 1202 2030
Lebanon
T +961 1 888910
info@wilo.com.lb

Lithuania

WILO Lietuva UAB
03202 Vilnius
T +370 5 2136495
mail@wilo.lt

Morocco

WILO Maroc SARL
20250 Casablanca
T +212 (0) 5 22 66 09 24
contact@wilo.ma

The Netherlands

WILO Nederland B.V.
1551 NA Westzaan
T +31 88 9456 000
info@wilo.nl

Norway

WILO Norge AS
0975 Oslo
T +47 22 804570
wilo@wilo.no

Poland

WILO Polska Sp. z o.o.
5-506 Lesznowola
T +48 22 7026161
wilo@wilo.pl

Portugal

Bombas Wilo-Salmson
Sistemas Hidraulicos Lda.
4475-330 Maia
T +351 22 2080350
bombas@wilo.pt

Romania

WILO Romania s.r.l.
077040 Com. Chiajna
Jud. Ilfov
T +40 21 3170164
wilo@wilo.ro

Russia

WILO Rus ooo
123592 Moscow
T +7 495 7810690
wilo@wilo.ru

Saudi Arabia

WILO Middle East KSA
Riyadh 11465
T +966 1 4624430
wshoula@wataniaind.com

Serbia and Montenegro

WILO Beograd d.o.o.
11000 Beograd
T +381 11 2851278
office@wilo.rs

Slovakia

WILO CS s.r.o., org. Zložka
83106 Bratislava
T +421 2 33014511
info@wilo.sk

Slovenia

WILO Adriatic d.o.o.
1000 Ljubljana
T +386 1 5838130
wilo.adriatic@wilo.si

South Africa

Wilo Pumps SA Pty LTD
1685 Midrand
T +27 11 6082780
patrick.hulley@salmson.co.za

Spain

WILO Ibérica S.A.
8806 Alcalá de Henares
(Madrid)
T +34 91 8797100
wilo.iberica@wilo.es

Sweden

WILO NORDIC AB
35033 Växjö
T +46 470 727600
wilo@wilo.se

Switzerland

Wilo Schweiz AG
4310 Rheinfelden
T +41 61 836 80 20
info@wilo.ch

Taiwan

WILO Taiwan CO., Ltd.
24159 New Taipei City
T +886 2 2999 8676
nelson.wu@wilo.com.tw

Turkey

WILO Pompa Sistemleri
San. ve Tic. A.Ş.
34956 İstanbul
T +90 216 2509400
wilo@wilo.com.tr

Ukraine

WILO Ukraina t.o.w.
08130 Kiev
T +38 044 3937384
wilo@wilo.ua

United Arab Emirates

WILO Middle East FZE
Jebel Ali Free zone – South
PO Box 262720 Dubai
T +971 4 880 9177
info@wilo.ae

USA

WILO USA LLC
Rosemont, IL 60018
T +1 866 945 6872
info@wilo-usa.com

Vietnam

WILO Vietnam Co Ltd.
Ho Chi Minh City, Vietnam
T +84 8 38109975
nkminh@wilo.vn

wilo

Pioneering for You

WILO SE
Nortkirchenstr. 100
44263 Dortmund
Germany
T +49 (0)231 4102-0
T +49 (0)231 4102-7363
wilo@wilo.com
www.wilo.com