



Uppgiftslämnaren reserverar sig för eventuella fel i produktinformationen eller felaktigt registrerade uppgifter och förbehåller sig rätten att korrigera och/eller komplettera produktinformation utan föregående avisering

1 GRUNDDATA

Varubeskrivning

Automatisk differenstrycksregulator ASV-PV. Inställbart område 5-25 kPa. Fabriksinställd på 10 kPa. Med avtappning. Invändigt/invändigt gängad.

Övriga upplysningar

Klassificeringar

ETIM ›	-EC011549 -
BK04 ›	
BSAB ›	
UNSPSC ›	

Leverantörsuppgifter

Företagsnamn

Danfoss AB

Organisationsnummer

5560523903

Adress

Industrigatan 5

Hemsida

se.varme.danfoss.com

Miljökontaktperson

Namn

Anders Gustavsson

Telefon

013-25 85 86

E-post

anders.gustavsson@danfoss.com

2 HÅLLBARHETSARBETE

Företagets certifiering

- ISO 9000
- ISO 14000

INNEHÅLLSDEKLARATION

Kemisk produkt	Nej
Omfattas varan av RoHS-direktivet	Nej
Innehåller produkten tillsatt nanomaterial, som är medvetet tillsatta för att uppnå en viss funktion	Vet ej
Varans vikt	0,681 - 4,707 kg

Vara / Delkomponenter

Koncentrationen har beräknats på hela varan

Ingående material /komponenter	Vikt-% i komponent	CAS-nr (alt legering)	EG-nr (alt legering)	Vikt % i produkt	Kommentar
Polyamid 6,6, PA66, Nylon 66, Poly[imino(1,6-dioxo-1,6-hexanediyl)imino-1,6-hexanediyl], Adipic acid-hexanediamine polymer SRU	3,5%	32131-17-2	Saknas	3,5%	
Polypropylen	5,3%	Övrigt, polymer		5,3%	
Koppar	5,8%	7440-50-8	231-159-6	5,8%	
EPDM synonym Etylen-propylen-dicyklopentadien polymer	0,8%	25034-71-3	Saknas	0,8%	
Rostfritt stål EN 1.4305, 8-10% Ni, Potentiell allergirisk	3%	12597-68-1	603-108-1	3%	
Mässing CW612N (CuZn39Pb2), Pb 2,5%	81,6%	Övrigt, metaller		81,6%	

Del av materialinnehållet som är deklarerat 100%

Särskilt farliga ämnen

Följande ämnen finns med på kandidatförteckningen i en koncentration och som överstiger 0,1 vikts-%:

-Mässing CW612N
(CuZn39Pb2), Pb 2,5%
-Bly

Utgåva av kandidatförteckningen som har använts

2018-06-27 00:00:00

Övrigt

Inget angivet

4

RÅVAROR**Återvunnet material**

Innehåller varan återvunnet material: Vet ej

Träråvara

Träråvara ingår i varan: Nej

5

MILJÖPÅVERKAN

Finns en miljövarudeklaration framtagen enligt EN15804 eller ISO14025 för varan

Nej

Finns annan miljövarudeklaration

Nej

6

DISTRIBUTION

Information saknas

7

BYGGSCHEDET

Ställer varan särskilda krav vid lagring?

Nej

Ställer varan särskilda krav på omgivande byggvaror?

Nej

8

BRUKSSCHEDET

Finns skötselanvisningar/skötselråd?

Vet ej

Finns en energimärkning enligt energimärkningsdirektivet (2010/30/EU) för varan?

Ej relevant

9

RIVNING

Kräver varan särskilda åtgärder för skydd av hälsa och miljö vid rivning/demontering?

Nej

10

AVFALLSHANTERING

Omfattas den levererade varan av förordningen (2014:1075) om producentansvar för elektriska och elektroniska produkter när den blir avfall?	Ej angivet
--	------------

Är återanvändning möjlig för hela eller delar av varan?	Ej angivet
--	------------

Är materialåtervinning möjlig för hela eller delar av varan?	Ja
---	----

alla metaller kan återvinnas

Är energiåtervinning möjlig för hela eller delar av varan?	Nej
---	-----

Har leverantören restriktioner och rekommendationer för återanvändning, material- eller energiåtervinning eller deponering?	Nej
--	-----

När den levererade varan blir avfall, klassas den då som farligt avfall?	Ej angivet
---	------------

Avfallskod (EWC) för den levererade varan	Ej angivet
--	------------

RSK-nummer	Eget Artikel-nr	GTIN
540 09 19	003Z5601	5710104081601
540 09 20	003Z5602	5710104081618
540 09 21	003Z5603	5710104081625
540 65 57	003Z5604	5710104081632
540 65 59	003Z5605	5710104081649
540 65 60	003Z5606	5710104081656

Produktdatablad

Prestandadeklaration

Säkerhetsblad

Miljövarudeklaration

Skötselansvisning

Övriga bifogade dokument

-ASV-PV bvb-anvisningar.pdf

-VDA9J107_ASV_4gen_print (1).pdf

Byggvarubedömningen's guideline and information requirements for assessment of product, Version 2016-1.

These guidelines describe what information that Byggvarubedömningen requires for assessment of articles and chemical products. Information about the article or chemical product can be provided in this document, alternatively refer to another documentation in which the corresponding information is given.

1. Product information

Product

Product name:	ASV-PV DN15-40	
Article No.: <i>Specify the type of number, for example RSK, E number, EAN, GTIN or supplier's article number. This should also be stated on the application.</i>	003Z5601; 003Z5602; 003Z5603; 003Z5604; 003Z5605; 003Z5606	
Product description: <i>On application, please attach a product data sheet or similar documentation.</i>	Automatic balancing valve	
Type of product:	<input type="checkbox"/> Chemical product	<input checked="" type="checkbox"/> Article
Date (year, month, day) of preparation/revision:	2016.10.20	

Supplier/Manufacturer

Supplier:	Danfoss Trata d.o.o Ulica Jožeta Jame 16, 1000 Ljubljana, Slovenia	
Manufacturer if other than the supplier: <i>Voluntary information</i>		
Supplier contact:		
Address:	Ulica Jožeta Jame 16, 1000 Ljubljana, Slovenia	
E-mail:		
Phone number:		

Supporting documentation

Has a declaration of performance, in line with the Swedish Construction Products Regulation, been prepared for the product?	<input type="checkbox"/> Yes	<input checked="" type="checkbox"/> No
<i>If yes, attach the declaration of performance with the application</i>		
Is the article/product an electronic product and covered by the RoHS-directive (2011/65/EU)?	<input type="checkbox"/> Yes	<input checked="" type="checkbox"/> No
<i>If yes, attach an "EU Declaration of Conformity", or alternatively another certificate that attests that the product corresponds to the requirements according to the RoHS-directive (2011/65/EU), together with the application</i>		
If the article/product is an electronic product that is covered by an exemption according to RoHS-directive (2011/65/EU), specify which exemption and date (year, month, day) when the exemption expires if time-limited:	Exemptions according to RoHS: Date: 2016.10.20	

2. Declaration of contents:

Does the product or any of its subcomponents, if it is a composite product, contain substances with particularly hazardous properties (Substances of Very High Concern, SVHC-substances), which are included in the Candidate List at a concentration above 0.1 weight%?	<input checked="" type="checkbox"/> Yes	<input type="checkbox"/> No
<i>If yes, specify which substances in Table 1.</i>		
State the date (year, month, day) for control the Candidate List.	Date: 2016.10.20	
The concentration is calculated at component level established on the principle "once a product, always a product" principle. The Candidate List is available at: http://echa.europa.eu/sv/candidate-list-table .		

Specify the total content of the article or the chemical product, **on delivery**, in Table 1, or alternatively attach other documentation that provides the corresponding information. For instructions, please refer to the "Declaration of contents, BVB's declaration requirements, 2016-1", which is found at the end of this document.

Table 1, Contents of included substances and material (declaration of content in accordance with requirements)

Included substances and material	EG No./CAS No. (alternatively alloy)	Weight% (of entire product)	When applicable, state for which subcomponent	Weight% (of substance in subcomponent)	Comments (state eventual application of non-harmonized classifications)
Brass	CuZn39Pb2	81,6 %			Ref. Article: 00325603
Plastic	PA66	3,5 %			Ref. Article: 00325603
Steel	1.4305	3,0 %			Ref. Article: 00325603
Rubber	EPDM	0,8 %			Ref. Article: 00325603
Copper	Cu	5,8 %			Ref. Article: 00325603
Insulation	EPP	5,3 %			Ref. Article: 00325603

Are all substances reported in percentages down to 0.01% in Table 1? <i>(enable assessment with regard to the Recommended level)</i>	<input checked="" type="checkbox"/> Yes	<input type="checkbox"/> No
<i>If not, does the report fulfill the instructions for the Accepted level, which is described in "Declaration of contents, BVB's declaration requirements, 2016-1", which is found at the end of this document</i>	<input type="checkbox"/> Yes	<input type="checkbox"/> No
If any deviations from BVB's reporting requirements exist, specify these in the comments in Table 1, or alternatively here.	Other comments:	

If the chemical composition differs after application, then the content of the applied product is given in Table 2. This applies to chemical products. If the content is unchanged, no information needs to be provided in the table.

Table 2, Contents for applied products (full content in accordance with declaration requirements)

Included substances and material	EG No./CAS No.	Weight% (of the applied product)	Comments (state any application of non-harmonized classifications)
If any deviations from BVB's reporting requirements exist, specify these in the comments in Table 2, or alternatively here.	Other comments:		

Nanomaterial

Does the product contain any nanomaterial that has been purposefully added to achieve a specific function? <i>Information regarding whether nanomaterial has been added to achieve a specific function must be stated, but has no impact on the assessment.</i>	<input type="checkbox"/> Yes	<input checked="" type="checkbox"/> No
<i>If yes, specify the material.</i>	Material:	

3. Recycled raw material

Does the product contain recycled material?	<input checked="" type="checkbox"/> Yes	<input type="checkbox"/> No
<i>If yes, fill in Table 3.</i>		

If the product consists of recycled materials specify the material and the percentages of the total weight of the product, in *Table 3, Recycled materials*.

Table 3, Recycled material

Material	Percentage (%) of the total product's weight	Percentage (%) of the recycled material that has not reached the consumer level, such as production waste, etc. (pre-consumer)	Percentage (%) of the recycled material that has reached the consumer level (post-consumer)	Comments
CuZn39Pb2	81,6 %			Ref. Article: 003Z5603
W Nr.1.4305	3,0 %			Ref. Article: 003Z5603
EPDM	0,8 %			Ref. Article: 003Z5603
PA66	3,5 %			Ref. Article: 003Z5603
Cu	5,8 %			Ref. Article: 003Z5603
EPP (insulation)	5,3 %			Ref. Article: 003Z5603

If wood raw material is included

Can the product be ordered with sustainability certificates for the wood raw material? <i>E.g.: FSC and PEFC</i>	<input type="checkbox"/> Yes	<input checked="" type="checkbox"/> No
Explain if the certificate does not cover all of the wood raw material:		
<i>If yes, attach a certificate/assurance that the product can be ordered with a sustainability certificate together with the application.</i>		
<i>If no, state the country where the wood raw material was harvested.</i>	Country of harvest:	
Is the wood species or origin in the CITES appendix for endangered species?	<input type="checkbox"/> Yes	<input type="checkbox"/> No

4. The production phase

Has an Environmental Product Declaration (EPD) been prepared?	<input type="checkbox"/> Yes	<input checked="" type="checkbox"/> No
<i>If yes, enclose the EPD (Environmental Product Declaration) or other environmental product declaration together with the application.</i>		

5. Distribution of the completed product

Describe the management of packaging for the distribution of the product <i>State whether any system for taking back or recycling packaging or any other specific return system is used.</i> <i>Specify the packaging material used and which system of producer responsibility for packaging the supplier is affiliated to.</i> <i>Enter the proportion of recycled material, if any, included in the packaging.</i>	Description of the packaging: Cardboard box DN 15- 25 KM/46E + KB230 DN 32, 40 & 50 KSK/565/B RESY symbol 2134 Per specification
Other information:	

6. Construction and usage phase

Are there any special requirements such as storage conditions etc. for the product during storage?	<input type="checkbox"/> Yes	<input checked="" type="checkbox"/> No
<i>If yes, describe:</i>		
Are there any special requirements for adjacent building products because of this product?	<input type="checkbox"/> Yes	<input checked="" type="checkbox"/> No
<i>If yes, describe:</i>		
Are there any operating/care instructions for the product?	<input checked="" type="checkbox"/> Yes	<input type="checkbox"/> No
<i>If yes, attach the documentation with the application.</i>		
Is the product energy labelled in accordance with the Energy Labelling Directive (2010/30/EU)?	<input type="checkbox"/> Yes	<input checked="" type="checkbox"/> No <input type="checkbox"/> Not relevant
<i>If yes, state class (G to A, A+, A++, A+++):</i>	Class:	

7. Waste management

Does the product require special measures to protect health and the environment in conjunction with demolition/dismantling?	<input type="checkbox"/> Yes	<input checked="" type="checkbox"/> No
<i>If yes, describe:</i>		
Is the product covered by the WEEE-directive 2012/19/EU (Swedish ordinance (2014:1075) on Producer Responsibility for electrical and electronic products when it becomes waste?	<input type="checkbox"/> Yes	<input checked="" type="checkbox"/> No
Is it possible to re-use all or parts of the product? (can the product be reused within the product's expected lifetime)?	<input type="checkbox"/> Yes	<input checked="" type="checkbox"/> No
<i>If yes, describe:</i>		
Is material recycling possible for all or parts of the product when it becomes waste?	<input checked="" type="checkbox"/> Yes	<input type="checkbox"/> No
<i>If yes, describe:</i> It is possible to recycle all metal components of the valve.		
Is energy recycling possible for all or parts of the product when it becomes waste?	<input type="checkbox"/> Yes	<input checked="" type="checkbox"/> No
Does the supplier have any restrictions and recommendations for reuse, material- or energy recycling or disposal?	<input type="checkbox"/> Yes	<input checked="" type="checkbox"/> No
<i>If yes, specify which:</i>		

When the supplied product becomes waste, is it classified as hazardous waste?	<input type="checkbox"/> Yes	<input checked="" type="checkbox"/> No
<i>If yes, specify the waste code:</i> The Swedish waste ordinance (2011:927) https://www.notisum.se/mp/sls/lag/20110927.htm	Waste code:	

8. Indoor environment

Has the product a critical moisture condition: <i>Information regarding whether critical moisture conditions leading to microbial growth apply for the material/product should be stated, but will not impact the assessment.</i>	<input type="checkbox"/> Yes	<input checked="" type="checkbox"/> No
<i>If yes, specify which:</i>		
Is the product intended for use indoors?	<input checked="" type="checkbox"/> Yes	<input type="checkbox"/> No
<i>If yes, has emission data been produced for volatile organic compounds?</i>	<input type="checkbox"/> Yes	<input checked="" type="checkbox"/> No
<i>If yes, attach the report/certificate together with the application.</i>		
<i>If no, is there any motivation for why emission data for volatile organic compounds is not relevant for the product?</i>	Motivation:	
Is the product a chemical product intended for indoor use?	<input type="checkbox"/> Yes	<input checked="" type="checkbox"/> No
<i>If yes, has emission data been produced for volatile organic compounds?</i>	<input type="checkbox"/> Yes	<input type="checkbox"/> No
<i>If yes, attach the report/certificate together with the application.</i>		
<i>If no, is there any motivation for why emission data for volatile organic compounds is not relevant for the product?</i>	Motivation:	

Certificate of substance content and concentrations version. 4.0

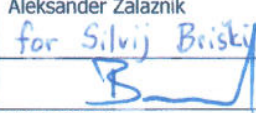
This certificate is required for the Recommended assessment level for chemical contents. This page should be printed to be signed and uploaded separately in PDF-format in connection with the application.

Certificate of declaration of substance content

For the products specified below, with their stated article numbers, the following is certified: Choose whether to certify alternative A or B.	
A <input checked="" type="checkbox"/>	It is hereby certified that concentrations of the included substances down to 0.01 weight% have been reported, and that cadmium and mercury do not occur in the product. or: The substances included are reported in line with the instructions for the Declaration of Contents, BVB's reporting requirements 2016-1, and correspond to the reporting requirements for the Recommended level.
B <input type="checkbox"/>	It is hereby certified that concentrations of the included substances down to 0.1 weight% have been reported, and that cadmium and mercury do not occur in the product. or: The substances included are reported in line with the instructions for the Declaration of Contents, BVB's reporting requirements 2016-1, and correspond to the reporting requirements for the Accepted level.
For the products specified below, with their stated article numbers, the following is certified: Choose whether to certify alternative C or D.	
C <input checked="" type="checkbox"/>	It is hereby certified that the specified product/s do not contain specifically indicated substances and groups of substances in accordance with Table 4, Specifically indicated substances. These have not been added during production and have not been formed through reactions between the substances in the product.
D <input type="checkbox"/>	Unfortunately, we have to notify that the specified products contain specifically indicated substances in accordance with Table 4, Specifically indicated substances. Some of these substances have been added or been formed during reaction between the substances in the product, please see the Declaration of Contents.

Table 4. Specifically indicated substances

Substance group/Substance	Examples of properties
1. Arsenic and its compounds ¹	Toxic, Environmentally hazardous
2. Brominated flame retardants	Potentially PBT/vPvB, PBT/vPvB
3. PFOA (perfluorooctanoic acid)	Persistent, bioaccumulative, probable reproductive toxicity
4. PFOS (perfluorooctanesulfonates)	Potentially PBT/vPvB, PBT/vPvB
5. Organotin compounds	Potentially PBT/vPvB, PBT/vPvB, Toxic, Environmentally hazardous
6. Biocidal product applied on products (surface treatments) to provide a disinfectant or anti-bacterial effect.	Toxic, Environmentally hazardous

Product identification: (designation and article number)	ASV-PV DN15-40 003Z5601; 003Z5602; 003Z5603; 003Z5604; 003Z5605; 003Z5606
State reference (name and version/date) that contains the actual Declaration of Contents:	BVB's guideline and information requirements for assessment of product, Version 2016-1. Updated 2016-08-22
Person responsible for making declaration:	Aleksander Zalaznik for Silvij Briskij
Signature:	
Place and date (year, month, day):	2016.11.10

¹ Arsenic, or arsenic compounds, are not permitted to be added to the product. Contamination of used raw materials is not permitted to exceed 10 mg/kg. The concentration limit is set based on regulatory requirements for soil quality to ensure that accepted products do not raise background concentrations through their use or disposal (for example; sludge from sewage treatment works Swedish Ordinance 1998:944, Section 20). The same concentration limits are found in the Swedish Environmental Protection Agency's general guidelines for less sensitive land use (MKM).

Declaration of contents, BVB's declaration requirements, 2016-1

A complete declaration of contents in accordance with the instructions should be made for both products and chemical products. For products, minimum concentrations have to be reported as a weight% for the entire product. The contents can be provided in other documentation, if the reporting instructions are complied with, or alternatively supplemented so that they are in compliance. Reporting requirements for the Accepted level correspond to the requirements for "e-BVD2015".

For the Accepted and Recommended levels, classified substances are needed to be reported in the documentation if concentrations exceed limits (weight%) in accordance with *Table 5, Classified substances*. Those substances that are not included in Table 5 must be reported when concentrations of $\geq 2\%$ occur.

Material and substance contents can be provided in intervals. Examples of accepted intervals are: $\leq 1\%$, 1-2.5%, 2.5-10%, 10-25%, 25-50%, 50-75%, 75-100%. In occasion of large intervals, state the reason for the variance and describe what materials/substances increase or decrease in proportion if the product, for example, comes in different sizes.

If classification is applied that is not covered by harmonized classification, this information requires to be reported in the comments column for that substance.

Table 5, Classified substances

Hazard class	Reporting limit	
	Accepted	Recommended
Carcinogenic categories 1A and 1B (H350)	$\geq 0.1\%$	$\geq 0.01\%$
Carcinogenic category 2 (H351)	$\geq 1\%$	$\geq 0.1\%$
Mutagenic categories 1A and 1B (H340)	$\geq 0.1\%$	$\geq 0.01\%$
Mutagenic category 2 (H341)	$\geq 1\%$	$\geq 0.1\%$
Reproductive toxicity, categories 1A and 1B (H360)	$\geq 0.3\%$	$\geq 0.03\%$
Reproductive toxicity, category 2 (H361)	$\geq 2\%$	$\geq 0.3\%$
Reproductive toxicity effects on or through breastfeeding (H362)	$\geq 0.3\%$	$\geq 0.03\%$
Endocrine disruptors ^{1, 2}	$\geq 0.1\%$	$\geq 0.01\%$
PBT and/or vPvB ³	$\geq 0.1\%$	$\geq 0.01\%$
Skin sensitizers (H317)	$\geq 1\%$	$\geq 0.1\%$
Respiratory sensitizers (H334)	$\geq 0.2\%$	$\geq 0.02\%$
Hazardous to aquatic environments, chronic category 1 (H410)	$\geq 2\%$	$\geq 0.25\%$
Ozone depleting substances (EUH 059 and H420)	$\geq 0.1\%$	$\geq 0.01\%$
Acute toxicity category 1 (H300, H310, H330, H301, H311 and/or H331)	$\geq 0.1\%$	$\geq 0.01\%$
Acute toxicity category 2 (H300, H310, H330, H301, H311 and/or H331)	$\geq 1\%$	$\geq 0.1\%$
Acute toxicity category 3 (H300, H310, H330, H301, H311 and/or H331)	$\geq 2\%$	$\geq 1\%$
Pure or compounds of cadmium (Cd)	$\geq 0.01\%$	$\geq 0.001\%$
Pure or compounds of lead (Pb)	$\geq 0.1\%$	$\geq 0.01\%$
Pure or compounds of mercury (Hg)	Contamination ≥ 2.5 mg/kg (ppm) of active additives must always be reported.	
¹ Endocrine disruptors (EDS list)	$\geq 0.1\%$	$\geq 0.01\%$
² Endocrine disruptors (SIN list)		$\geq 0.01\%$
³ PBT, vPvB (SIN list)	$\geq 0.1\%$	$\geq 0.01\%$
Candidate List	$\geq 0.1\%*$	$\geq 0.01\%$
Other classifications or unclassified substances and material	$\geq 2\%$	$\geq 2\%$

*Substances on the Candidate List have to be reported at component level.

Descriptions of material

Substances should be reported with their CAS- or EC number. Exemptions for certain material can be performed in accordance with the following instructions.

Metals should always be reported together with their alloy number. Alternatively, substances comprising more than 0.01% of the alloy has to be specified in the documentation.

Plastics and rubber materials should be reported together with their name so that it is clearly which monomers that are included, for example, acrylonitrile butadiene styrene (ABS), polyethylene (PE), etc. Additives that have not formed polymers should always be reported in accordance with Table 5 (for example pigments, plasticizers, stabilizers, etc.). BVB always requires that compounds used as plasticizers is declared for PVC plastics ($\geq 2\%$).

Plastics/polymers with descriptions in line with the following list are accepted without specification of monomers.

- Polycarbonate (pertains to bisphenol A based polycarbonates)
- Polyester (monomers must be specified for halogenated polyesters)
- Polyurethane (monomers must be specified for halogenated polyurethanes)
- Fiberglass reinforced epoxy resin laminates FR4 (pertains to tetrabromobisphenol A based polymers)

Other materials with the following descriptions are accepted without clarification or detailed description of their components as the materials normally consist of:

- Glass
- Concrete

Examples of designations of plastics/polymers and other material descriptions that require further clarification are:

- Dispersion polymerization
- Copolymer
- Thermoplastic elastomers (TPE)
- Thermoplastics
- MS polymers
- Mineral fillers

References can be given for composite products to other products (subcomponents) that have been assessed in BVB's system and which have been provided with a BVB ID.

Complex products can be referred to another product (subcomponent), which are estimated in BVB's systems and provided with BVB ID.

Datablad

Automatiska balanseringsventiler

ASV DN 15–50 (4:e gen.)



Beskrivning



Whiteboard-animation för ASV

ASV-ventiler är automatiska balanseringsventiler. Tillsammans med Danfoss termostatiska radiatorventiler med förinställning är de en del av **Danfoss tvårörlösning** och är perfekta för att skapa optimal hydronisk balans i värmesystem med två rör för bostäder.

En av de största utmaningarna i värmesystem är bristen på bra hydronisk balansering på grund av differenstryck, vilket hela tiden ändras och inte kan förutses i värmesystemet. Detta leder till klagomål från boende om dålig inomhuskomfort, ljud och höga energikostnader.

För att försöka lösa dessa klagomål installeras ofta större pumpar för att förbättra cirkulationen av vattnet (särskilt vid dålig uppvärmning). Tyvärr påverkar detta systemets differenstryck och energianvändning ännu mer. Dessutom är det så att ju högre differenstryck, desto högre ljud från systemet, särskilt från radiatorventilerna.

De automatiska balanseringsventilerna ASV ger optimalt differenstryck för reglerventilerna och hela tiden korrekt flöde inom de enskilda stammarna. Detta är anledningen till att DIN 18380 fordrar reglering av differenstrycket vid partiella belastningar. ASV skapar automatiskt en optimal hydronisk balans inom anläggningen, oavsett om belastningen är full eller partiell. Denna balans avbryts aldrig.

ASV-ventilerna kan också användas i kyltillämpningar (fancoil, kylbafflar osv.) med variabelt flöde, för att säkerställa en automatisk hydronisk balans (se allmänt datablad för ASV för mer information).

Fördelar

Installation av en ASV-kombination garanterar:

- **Färre klagomål:**
ASV gör systemet mer tillförlitligt, med mindre störningar som t.ex. bullriga radiatorer, låg värme i rum långt från värmekällan eller hög värme i rum nära värmekällan. Färre klagomål innebär att installatören mer sällan kallas tillbaka för att lösa klagomålen.
- **Förbättrad inomhuskomfort:**
ASV ger stabila tryckförhållanden till reglerventiler för radiator- eller golvvärme, vilket ger en mer exakt styrning av rumstemperaturen.
- **Lägre elräkning:**
Högre energieffektivitet uppnås genom att lösa problemet med för stor uppvärmning och genom att säkerställa en mer exakt temperaturstyrning. Rätt balans förhindrar överflöden, vilket leder till låg returvattentemperatur. Detta förbättrar energieffektiviteten för kondenserande pannor och fjärrvärmesystem.
- **Enkelhet:**
ASV delar upp rörsystemet i tryckoberoende zoner, vanligtvis enskilda stammar eller lägenheter. Det gör att komplexa och tidsödande beräkningar och driftsättningsmetoder inte längre behövs. Det möjliggör också gradvis anslutning av zoner till huvudkonstruktionen utan extra balansering.
- **Enkel användning:**
Den nya generationen automatiska balanseringsventiler ASV är ännu enklare att använda än tidigare. Den förbättrade inställningsskalan kan nu ställas in utan att använda en sexkantsnyckel och sparar tid för installatören under driftsättning och underhåll av systemet. Den nya spolningsfunktionen sparar tid vid spolning av rörnätet.

Tillämpningar

Balanseringsventilerna ASV är konstruerade för att garantera hög kvalitet på den automatiska regleringen med:

- En tryckavlastad kägla.
- Ett avpassat membran för ventildimensionen, vilket ger konstant prestanda för alla storlekar.
- Linjär och exakt inställningsskala som gör inställning av erforderlig Δp enkel.
- Lågt erforderligt tryckfall på 10 kPa för ASV-PV-ventilen bidrar till lägre pumstryck.

Danfoss ASV-lösning består av en automatisk balanseringsventil ASV-PV och en associerad parventil (figur 1 och 2). ASV-PV är en differenstrycksregulator monterad i returledningen. Parventilen monteras i framledningen. Båda ventilerna är anslutna till varandra med ett impulsrör.

Tryckregulatorn har en fabriksinställning på 10 kPa eller 30 kPa, vilket är perfekt för typiska radiatorbaserade värmesystem. Givetvis kan den enkelt justeras till en annan inställning med inställningsskalan. Om differenstrycket tenderar att bli högre än denna inställning reagerar den automatiska balanseringsventilen ASV omedelbart och håller differenstrycket konstant. På så sätt ökar inte trycket i den reglerade stammen eller slingan på grund av ändringar i systemets belastning.

Balanseringsventilerna ASV har följande integrerade servicefunktioner: *Spolning
*Avstängning
*Dränering

Avstängningsfunktionen är skild från inställningsmekanismen.

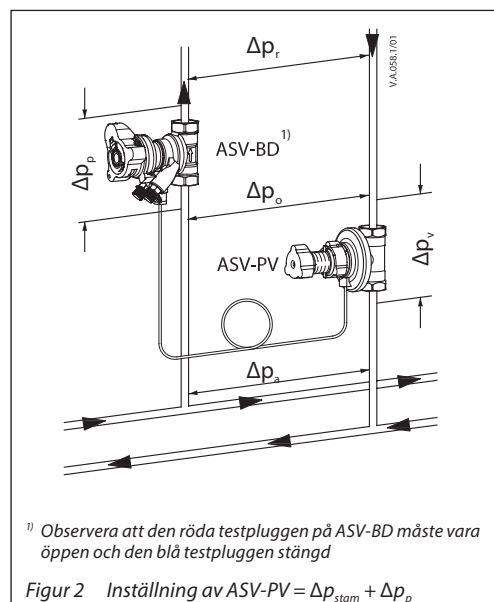
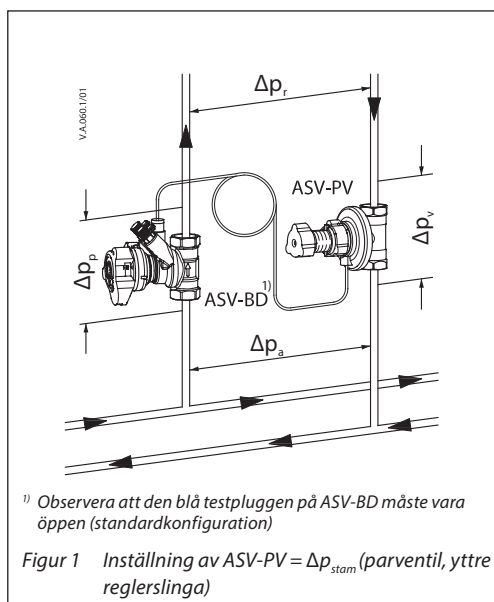
Det finns två grundläggande konfigurationer när du använder ASV-parventiler:

Parventil, yttre reglerslinga (figur 1).

Rekommenderad ventil ASV-BD (standardkonfiguration: blå testplugg måste vara öppen, röd är i stängt läge) eller ASV-M: Ger bästa prestandan eftersom hela det reglerade tryckområdet är tillgängligt i stammen. Flödesbegränsningen görs i varje enskild terminalenhet i stammen (till exempel, RA-N med förinställning på radiator osv.)

Parventil, inre reglerslinga (figur 2).

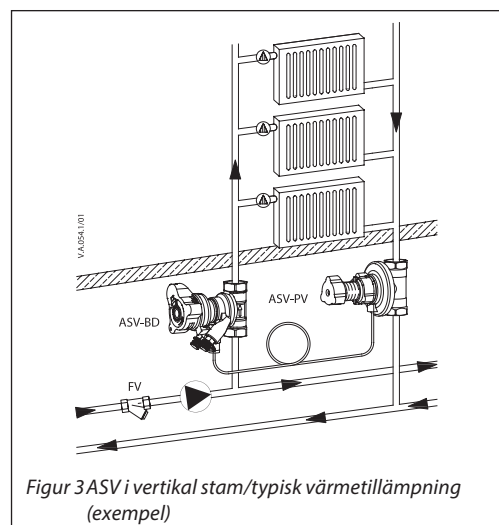
Rekommenderad ventil ASV-BD (röd testplugg måste vara öppen, blå är i stängt läge): Ger flödesbegränsning på stammen men en del av det reglerade tryckområdet används för tryckfall på parventilen (Δp_p). Den rekommenderas när flödesbegränsning vid varje terminal inte är möjlig.



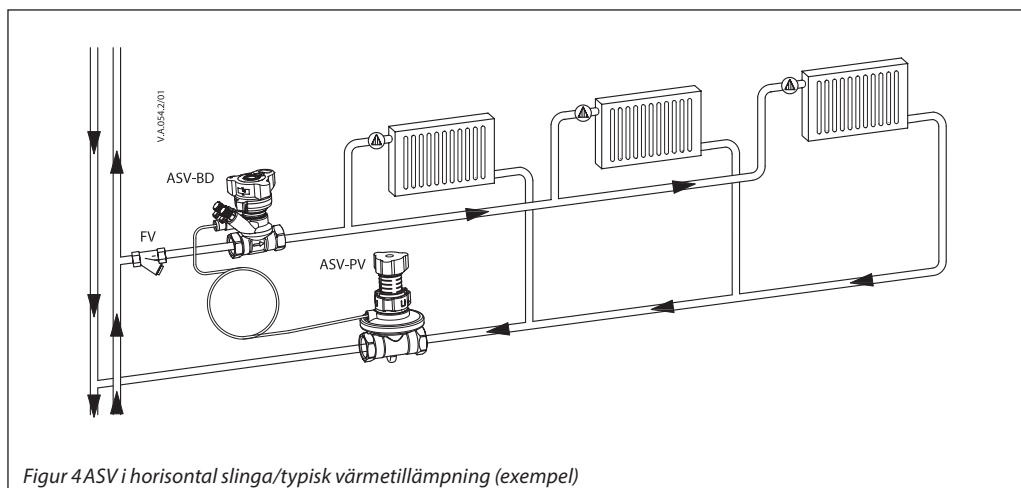
ASV-BD kan användas i den yttre eller inre reglerslingan genom att man väljer vilken mätnippel som är öppen. Konfigurationen kan ändras under tryck – genom att testpluggarna stängs/öppnas. Konfigurationen med inre reglerslinga (standardläge) tillåter flödeskontroll, medan konfigurationen med yttre reglerslinga tillåter flödesbegränsning.

Tillämpningar (fortsättning)

ASV-ventiler används i värmesystem för att reglera differenstrycket i stammar (figur 3) eller horisontella slingor, vilka mest används i nya installationer (figur 4). För att begränsa flödet i varje radiator används termostatiske radiatorventiler med förinställningsfunktion tillsammans med ett konstant tryck från ASV, vilket medför en balanserad värmedistribution.



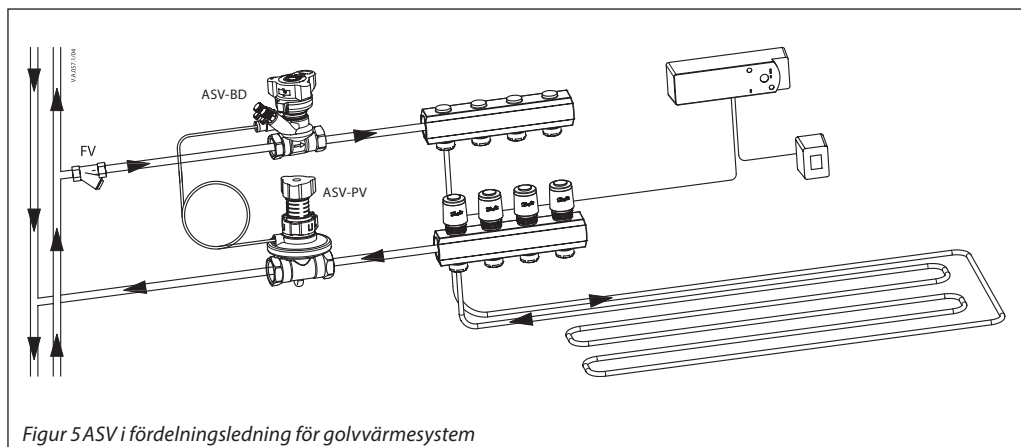
Figur 3 ASV i vertikal stam/typisk värmertilämpning (exempel)



Figur 4 ASV i horisontal slinga/typisk värmertilämpning (exempel)

ASV-ventiler är också den perfekta lösningen för golvvärmesystem (figur 5). För att begränsa flödet ska varje fördelningsledning med integrerad förinställning användas tillsammans med ett konstant tryck som tillhandahålls av en ASV-PV-ventil.

Alternativt kan flödet i hela förgreningsledningen begränsas genom användning av inställningsfunktionen i ASV-BD. Tack vare de små yttermått är den automatiska balanseringsventilen ASV lätt att installera i en väggmonterad låda för golvvärmeutrustning.



Figur 5 ASV i fördelningsledning för golvvärmesystem

Beställning

ASV-PV balanseringsventil, medföljer i förpackningen:
1,5 m långt impulsrör (G 1/16 A)

Typ	DN	k _{vs} (m ³ /h)	Anslutning		Δp inställningsområde (kPa)	Best.nr	
						utan isolering	med EPP-isolering
	15	1,6	Invändig gänga ISO 7/1	R _p 1/2	5-25	003Z5501	003Z5601
	20	2,5		R _p 3/4		003Z5502	003Z5602
	25	4,0		R _p 1		003Z5503	003Z5603
	32	6,3		R _p 1 1/4		003Z5504	003Z5604
	40	10,0		R _p 1 1/2		003Z5505	003Z5605
	50	16,0		R _p 2		003Z5506	003Z5606
	15	1,6	Utvändig gänga ISO 228/1	G 3/4 A	5-25	003Z5511	003Z5611
	20	2,5		G 1 A		003Z5512	003Z5612
	25	4,0		G 1 1/4 A		003Z5513	003Z5613
	32	6,3		G 1 1/2 A		003Z5514	-
	40	10,0		G 1 3/4 A		003Z5515	-
	50	16,0		G 2 1/4 A		003Z5516	-
	15	1,6	Invändig gänga ISO 7/1	R _p 1/2	20-60	003Z5541	-
	20	2,5		R _p 3/4		003Z5542	
	25	4,0		R _p 1		003Z5543	
	32	6,3		R _p 1 1/4		003Z5544	
	40	10,0		R _p 1 1/2		003Z5545	
	50	16,0		R _p 2		003Z5546	
	15	1,6	Utvändig gänga ISO 228/1	G 3/4 A	20-60	003Z5551	-
	20	2,5		G 1 A		003Z5552	
	25	4,0		G 1 1/4 A		003Z5553	
	32	6,3		G 1 1/2 A		003Z5554	
	40	10,0		G 1 3/4 A		003Z5555	
	50	16,0		G 2 1/4 A		003Z5556	

ASV-BD-avstängningsventil, parventil med flera funktioner (avstängning, roterande mätningsstation) och EPP-isolering

Typ	DN	k _{vs} (m ³ /h)	Anslutning	Best.nr
	15	3,0	Invändig gänga ISO 7/1	R _p 1/2 003Z4041
	20	6,0		R _p 3/4 003Z4042
	25	9,5		R _p 1 003Z4043
	32	18		R _p 1 1/4 003Z4044
	40	26		R _p 1 1/2 003Z4045
	50	40		R _p 2 003Z4046

ASV-M-avstängningsventil, utan testpluggar och med EPS-isolering

Typ	DN	k _{vs} (m ³ /h)	Anslutning	Best.nr
	15	1,6	Invändig gänga ISO 7/1	R _p 1/2 003L7691
	20	2,5		R _p 3/4 003L7692
	25	4,0		R _p 1 003L7693
	32	6,3		R _p 1 1/4 003L7694
	40	10		R _p 1 1/2 003L7695
	15	1,6	Utvändig gänga ISO 228/1	G 3/4 A 003L7696
	20	2,5		G 1 A 003L7697
	25	4,0		G 1 1/4 A 003L7698
	32	6,3		G 1 1/2 A 003L7699
	40	10		G 1 3/4 A 003L7700
	50	16		G 2 1/4 A 003L7702

Beställning (fortsättning)
Reservdelar

Typ	Beskrivning	Kommentarer	Anslutning/mått	Best.nr
	Handtag för ASV-PV		DN 15-25	003Z7855
			DN 32-50	003Z7857
			DN15-20	003Z7831
	ASV-PV servicesats 20–60 kPa		DN 25	003Z7832
			DN 32	003Z7833
			DN 40	003Z7834
			DN 50	003Z7835
	ASV-PV servicesats 5–25 kPa		DN15-20	003Z7841
			DN 25	003Z7842
			DN 32	003Z7843
			DN 40	003Z7844
			DN 50	003Z7845
	Anslutningsdon för mätning av differenstryck		För ASV-PV dräneringsanslutning	003L8143
	ASV-PV dräneringsanslutning		DN 15-50	003L8141
	Handtag för ASV-BD ²⁾			003Z4652
	Impulsrör, med O-ringar		1,5 m	003L8152
			2,5 m	003Z0690
			5 m	003L8153
	O-ring för impulsrör	Förpackning med 10 stycken	2,90 × 1,78	003L8175
	Plugg för impulsrörsanslutning ASV-BD/M	Förpackning med 10 stycken	G 1/16 A	003L8174

¹⁾ Med handtag

²⁾ Fullständigt sortiment med tillbehör för ASV-BD finns i databladet för LENO™ MSV-BD.

Tillbehör – kopplingar

Typ	Kommentarer	till ledning	till ventil	Best.nr
	Gångat ändrör (1 st.)	R 1/2	DN 15	003Z0232
		R 3/4	DN 20	003Z0233
		R 1	DN 25	003Z0234
		R 1 1/4	DN 32	003Z0235
		R 1 1/2	DN 40	003Z0273
		R 2	DN 50 (2 1/4")	003Z0274
	Ändrör för svetsning (1 st.)	DN 15	DN 15	003Z0226
		DN 20	DN 20	003Z0227
		DN 25	DN 25	003Z0228
		DN 32	DN 32	003Z0229
		DN 40	DN 40	003Z0271
		DN 50	DN 50 (2 1/4")	003Z0272

Tillbehör

Typ	Beskrivning	Kommentarer	Anslutning/mått	Best.nr
	Spolningstillbehör för ASV-PV			003Z7850
	Två testpluggar och en låsplatta	För ASV-M, rectustyp		003L8145
	3 mm testpluggar, 2 st.	För ASV-BD ¹⁾		003Z4662
	ASV-BD dräneringsanslutning	½" slanganslutning		003Z4096
		¾" slanganslutning		003Z4097
	Impulsrör av plast med anslutningar och adaptrar	För att göra en förpackning med 10 stycken ³⁾		003Z0689
	Igångsättningsetikett ²⁾	Förpackning med 10 stycken	DN15-50	003Z7860
	Plugg för anslutning av impulsrör	G ¼-R ¼"-anslutning		003L8151
	Isoleringskåpa av EPP för ASV-PV	max. 120 °C	DN 15-20	003Z7800
			DN 25	003Z7802
			DN 32	003Z7803
			DN 40-50	003Z7804
	Isoleringskåpa av EPP för ASV-BD		DN 15	003Z4781
			DN 20	003Z4782
			DN 25	003Z4783
			DN 32	003Z4784
	Isoleringskåpa av EPP för ASV-M		DN 40	003Z4785
			DN 50	003Z4786
			DN 15	003L8170
			DN 20	003L8171
			DN 25	003L8172
			DN 32	003L8173
			DN 40	003L8139

¹⁾ Fullständigt sortiment med tillbehör för ASV-BD finns i databladet för LENO™ MSV-BD.

²⁾ För montering på isolering

³⁾ 10 m långt impulsrör

Tekniska data

Typ		ASV-PV	ASV-M	ASV-BD
Nominell diameter	DN	15-50	15-50	15-50
Högsta tryck (PN)	bar	16	16	20
Provtryck		25	25	30
Differenstryck över ventilen	kPa	10-250	10-150 ¹⁾	10-250
Avstängningsläckage		Inget synligt läckage ²⁾	D ²⁾	A ²⁾
Arbetstemperatur	°C	0 ... 120	-20 ... 120	-20 ... 120
Lagrings- och transporttemperatur			-40 ... 70	
Material i vattenberörda delar				
Ventilhus		Mässing	Mässing	DZR-mässing
Ventilkägla		DZR-mässing	Mässing	
Membran/O-ringar		EPDM	EPDM	EPDM
Fjäder		Patenttråd	-	-
Kulkägla		-	-	Mässing/krompläterad

¹⁾ Observera att det högsta tillåtna differenstrycket över ventilen, 150 kPa, inte heller ska överskridas vid partiell belastning.

²⁾ ISO 5208

Design

1. Fjäderstyrning
2. Avstängningshandtag
3. Fjäder
4. Inställningsspindel för differenstryck
5. Inställningsskala
6. O-ring
7. Låsring
8. Impulsrörsanslutning
9. Membranhusöverdel
10. Reglermembran
11. Intern anslutning
12. Ventilhus
13. Tryckavlastad ventilkägla
14. Säte



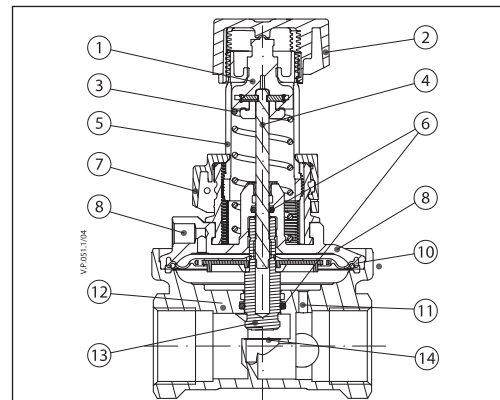
Video om ASV-hantering

ASV-PV är en kompakt differenstrycksregulator konstruerad för att garantera automatisk balansering av hög kvalitet. Innovativ konstruktion och användarvänlighet har införlivats i ventilen med följande funktioner:

- Integrerad membrandel i ventilhuset ⑫.
- Enkel inställning med låsfunktion ⑦.
- Spolningsfunktion.
- Avstängningsfunktion, skild från förinställningen.
- Membran anpassat till ventilstorleken.

Via en invändig anslutning och tillsammans med referensfjädern ③ verkar trycket i returledningen på undersidan av reglermembranet ⑩, medan trycket i framledningen verkar på ovsidan av membranet via ett impulsrör ⑧. På så sätt upprätthåller balanseringsventilen det inställda differenstrycket.

Ventilerna är fabriksinställda på 10 kPa eller 30 kPa. De kan enkelt justeras till en annan inställning med inställningsskalan ⑤. Vrids inställningsringen medurs ökas inställningen och tvärtom.



Figur 6 ASV-PV

Parventiler ASV-BD/M ska användas tillsammans med de automatiska balanseringsventilerna ASV-PV för att reglera differenstrycket i stammarna.

1. Handtag med inställningsskala
2. Spindelhuvud
3. Rotationslås
4. Testplugg
5. Ventiltopp
6. Spindel
7. Impulsrörsanslutning
8. Stängningshylsa
9. Slanganslutning
10. Roterande mätstation
11. Strypbricka
12. Stödskruv
13. Kulsäte
14. Kulkägla
15. Ventilhus

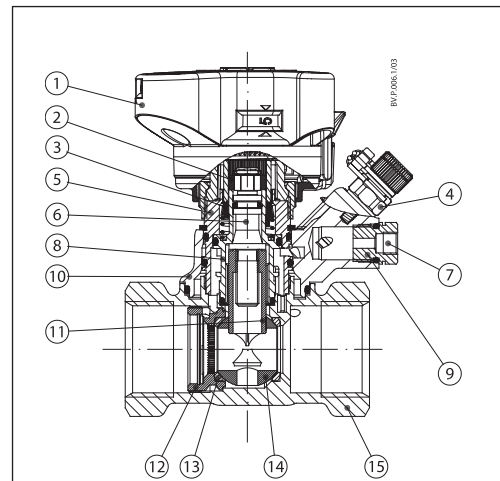
ASV-BD är en kombinerad förinställnings- och avstängningsventil med ett antal unika egenskaper:

- Höga kv-värden för små tryckförluster.
- Parventilens placering i den yttre eller inre kontrollslingan (se sidan 2 för mer information) kan även ändras efter att ventilen redan har installerats och är under tryck.
- Numerisk förinställningsskala, synlig från flera vinklar ①.
- Enkel låsning av förinställning.
- Roterande mätstation ⑩ med inbyggda testpluggar för nålar på 3 mm.
- Dräneringsfunktion via tillbehör för dräneringsanslutning (best.nr **003Z4096** eller **003Z4097**) ⑦.
- Borttagbart handtag för enkel montering.
- Avstängningsfunktion skild från förinställningen.
- Färgindikator för öppen/stängd.

ASV-BD kan användas i yttre eller inre reglerslinga (se sidan 2 för mer information) beroende på vilken testplugg som är öppen. Konfigurationen kan ändras under tryck.

Avstängningsfunktionen har en kulventil, vilken endast kräver 90 graders vridning för fullständig avstängning av ventilen.

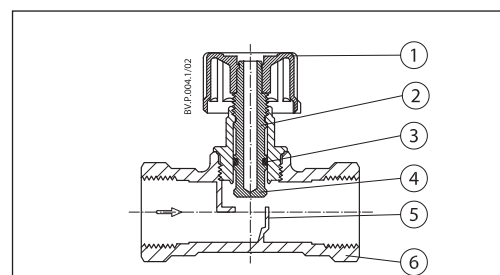
ASV-BD-ventilen levereras med två testpluggar för nålar på 3 mm. En dubbelhållare gör det möjligt att ansluta båda nålarna samtidigt.



Figur 7 ASV-BD DN 15–50

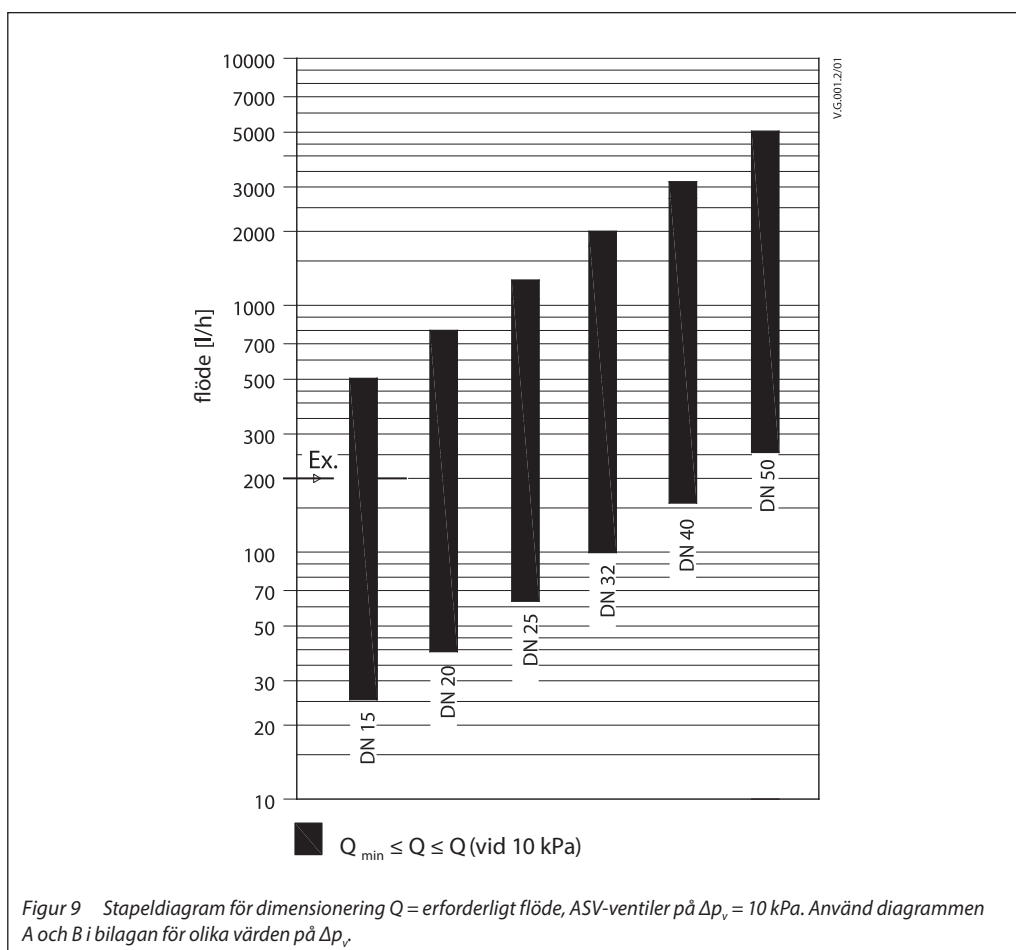
1. Avstängningshandtag
2. Avstängningsspindel
3. O-ringar
4. Ventilkägla
5. Säte
6. Ventilhus

ASV-M är konstruerad för att stänga av flödet i ledningen. ASV-M har en anslutning för ett impulsrör till ASV-PV. Den kan förses med testpluggar för flödesmätning (vilka säljs separat som tillbehör).



Figur 8 ASV-M

Dimensionering



Vi rekommenderar att diametern på ASV-PV-ventilerna dimensioneras med hjälp av figur 9. Maximala flödes hastigheter baseras på 10 kPa differens tryck över ASV-PV-ventilen, vilket möjliggör perfekt reglering av ASV-PV och sparar energi, medan minimalt nominellt flöde tillåter reglering nära noll.

Efter att ASV-PV-ventilerna har dimensionerats bör samma dimensioner väljas för parventilen ASV-BD/ASV-M.

Exempel:

Givet:

Flöde i ledning 200 l/h, ledningar DN 15

Lösning:

Den horisontella linjen korsar stapeln för ventilen DN 15, vilken därför kan väljas som erforderlig storlek (om flera kolumner genomkorsas rekommenderas den minsta ventilstorleken).

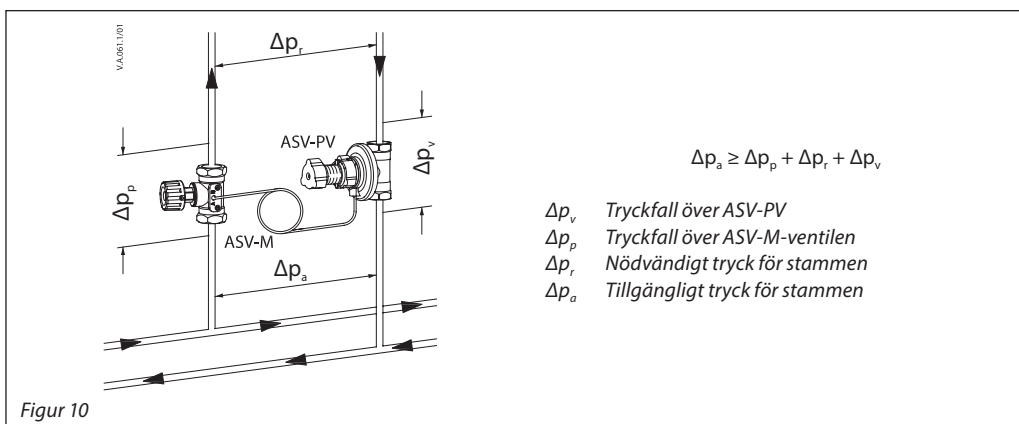
Se exemplen på sidorna 14 och 15 för mer ingående dimensionering. Se diagram i **bilaga A** för olika Δp_v (differentialtryck över ventilen).

Anslutning mellan ventilstorlekar och ledningsdimensioner

Kv-värden för särskilda dimensioner är utformade för att täcka flödes hastigheter enligt VDI 2073, med vatten hastigheter på upp till 0,8 m/s vid differens tryck på 10 kPa över ventilen. Så länge som vatten hastigheten i ledningen ligger mellan 0,3 och 0,8 m/s bör ventilens dimension överensstämma med ledningens dimension.

Denna regel beror på att Kv-värden för särskilda dimensioner är utformade för att täcka flödes hastigheter enligt VDI 2073 vid differens tryck på 10 kPa över ASV-PV-ventilen.

Exempel på dimensionering



1. Exempel

Givet:

Radiatorssystem med termostatiska radiatorventiler med förinställningsfunktion.
 Önskat flöde i stammen (Q):900 l/h
 Minimalt tillgängligt tryck för den stammen (Δp_a).....60 kPa
 Uppskattat tryckfall över stammen vid önskat flöde (Δp_p)..... 10 kPa

Önskat:

- Ventiltyp
- Ventilstorlek

Eftersom radiatorventilerna har förinställningsfunktion väljer vi ASV-M. ASV-PV ska reglera 10 kPa tryck över stammen, vilket innebär att 50 kPa av 60 ska disponeras över två ventiler.

$$\Delta p_v + \Delta p_p = \Delta p_a - \Delta p_r = 60 - 10 = 50 \text{ kPa}$$

Vi förutsätter att dimensionen DN 25 är rätt dimension i detta exempel (tänk på att båda ventilerna ska ha samma dimension). Eftersom ASV-M DN 25 ska vara helt öppen beräknas tryckfallet med följande ekvation:

$$\Delta p_p = \left(\frac{Q}{K_v} \right)^2 = \left(\frac{0,9}{4,0} \right)^2 = 0,05 \text{ bar} = 5 \text{ kPa}$$

eller genom att läsa av i diagrammet i **bilaga A**,

figur C enligt följande:

Dra en horisontell linje från 0,9 m³/h (cirka 900 l/h) genom linjen som representerar dimension DN 25. Dra en vertikal linje från skärningspunkten för att läsa av tryckfallet på 5 kPa.

Tryckfallet över ASV-PV-ventilen är därför:

$$\Delta p_v = (\Delta p_a - \Delta p_p) - \Delta p_r = 50 \text{ kPa} - 5 \text{ kPa} = 45 \text{ kPa}$$

som kan läsas av i diagrammet i **bilaga A**, figur A.

2. Exempel

Korrigera flödet med differenströcksinställningen.

Givet:

Uppmätt flöde i stammen Q₁..... 900 l/h
 ASV-PV-ventilens inställning Δp_r 10 kPa

Önskat:

Ny ventilinställning för att öka flödet med 10 %, Q₂ = 990 l/h.

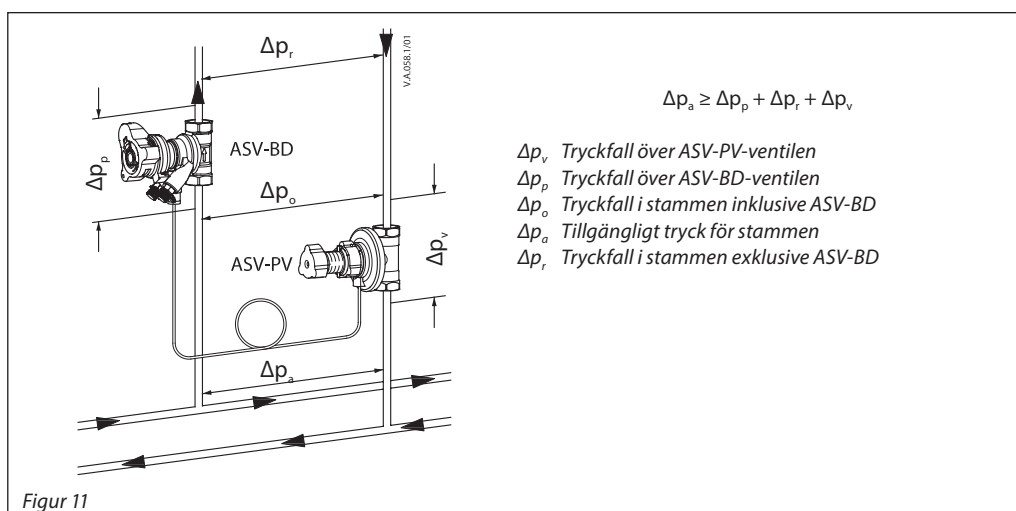
Inställning på ASV-PV-ventilen:

Vid behov kan inställningen av reglertrycket justeras till ett särskilt värde eller 20–60 kPa. Genom att öka/minska inställningen går det att justera flödet genom stammen, terminalen eller liknande. (100 % ökning av reglertrycket ökar flödet med cirka 41 %)

$$p_2 = p_1 \times \left(\frac{Q_2}{Q_1} \right)^2 = 0,10 \times \left(\frac{990}{900} \right)^2 = 12 \text{ kPa}$$

Om vi ökar inställningen till 12 kPa ökar flödet med 10 % till 990 l/h.

Exempel på dimensionering
(fortsättning)



Figur 11

3. Exempel:

Begränsning av flödet med ASV-BD-ventil

Givet:

- Önskat flöde i grenledningen (Q):880 l/h
- ASV-PV och ASV-BD (DN 25)
- Inställning på ASV-PV-ventil (Δp_o)10 kPa
- Uppskattat tryckfall över stammen vid önskat flöde (Δp_r)7 kPa

Krävs:

ASV-BD-ventilens inställning för att uppnå önskat flöde

Lösning:

Vid behov kan inställningen på ASV-BD justeras för att utföra flödesbegränsningsfunktion. ASV-BD är nämligen inuti reglerlingen för tryckregulatorn och därför medför justering av ASV-BD en justering av flödesbegränsningen. Den röda testpluggen på ASV-BD-ventilen måste vara öppen (blå i stängt läge). (Allmän regel är att 100 % ökning av kv-värdet ökar flödet med 100 %.)

$$k_v = \frac{Q}{\sqrt{\Delta p_v}} = \frac{0,880}{\sqrt{0,03}} = 5,1 \text{ m}^3/\text{h}$$

Resultatet kan även avläsas i diagram i **bilaga A**, figur B.

Vid önskat flöde är tryckfallet över hela grenledningen 7 kPa. Om inte ASV-BD används kommer flödet genom grenledningen vid fullt öppen reglerventil vara 19 % högre och därmed orsaka överflöde (7 kPa medger 880 l/h, medan 10 kPa medger 1 050 l/h). Genom att ställa in förinställningen för ASV-BD DN 25 på kv-värdet 4,3 (5,1 m³/h) kommer vi att begränsa flödet till de önskade 880 l/h.

Detta värde erhålls genom följande beräkning:
 $\Delta p_p = \Delta p_o - \Delta p_r = 10 - 7 = 3 \text{ kPa}$.

Flödesbegränsningen kan också ske genom större Δp -inställning på ASV-PV-ventilen.

4. Exempel:

Golvvärmes tillämpning med ASV-PV på returfordelningsledning

Givet:

- Tryckfall (största slinga):16 kPa
- Tryckfall, fördelningsledning:2 kPa
- Flödesbehov för fördelningsledning:900 l/h
- Anslutningsledning:DN 25

Önskat:

- Ventilstorlek (DN)
- Ventilinställning (Δp_o)

ASV-PV DN 25 / 5–25 kPa väljs (samma storlek som anslutningsröret).

Ventilinställningen ges av summan av det totala tryckfallet:

$$\Delta p_o = \Delta p_{loop} + \Delta p_{manifold} = 16 \text{ kPa} + 2 \text{ kPa} = 18 \text{ kPa}$$

Inställningsskalan på ASV-PV ska vara på 18 kPa.

Installation

ASV-PV installeras i returledningen med flödet i samma riktning som pilen på ventilhuset. Parventiler (ASV-M/BD) installeras i framledningen med flödet i samma riktning som pilen på ventilhuset. Impulsröret installeras mellan parventil och ASV-PV.

Impulsröret ska genomspolas i riktning från framledningen innan anslutning till ASV-PV.

Små installationsmått gör installationen av ASV-ventiler enkel även i begränsade utrymmen. En 90° vinkel mellan anslutningarna (avstängning, dränering, inställning, mätning) ger enkel åtkomst vid alla installationsförhållanden.

Dränering

Dräneringsanslutningen på ASV-PV eller ASV-BD kan användas för avtappning och påfyllning av vatten. Använd följande förfarande för att dränera via ASV-BD-ventilen:

1. Stäng den öppna testpluggen.
2. Ta bort impulsröret.
3. Demontera slanganslutningen.
4. Montera tillbehöret för dräneringsanslutning (best.nr **003Z4096** eller **003Z4097**).
5. Den blå testpluggen öppnar utloppet och den röda testpluggen öppnar tillloppet. Vrid inte mer än högst 3 varv. Dräneringsanslutningen och testpluggarna kan roteras till alla lägen.

Inställning

Δp -inställning

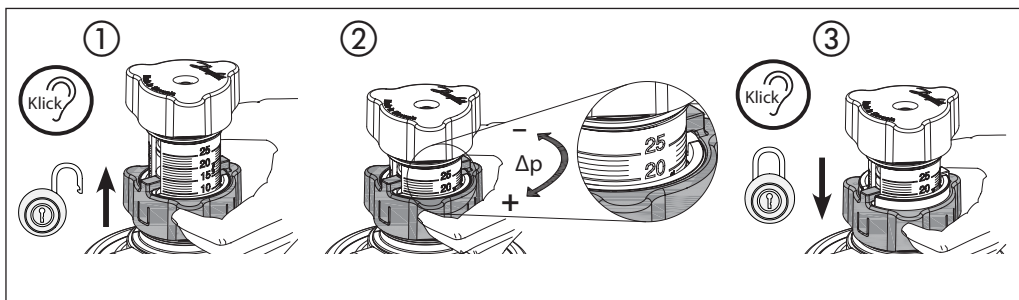
Inställningen av differenstrycket kan enkelt ändras med hjälp av inställningsskalan, vilket sparar tid för installatören vid underhåll av systemet.

Använd följande procedur för att ställa in önskat differenstryck:

1. Avblockera inställningen ①.
2. Ange inställningen genom att vrida skalan till önskat värde ②.
3. Blockera inställningen igen till ändläget ③.

Fabriksinställning

Inställningsområde för Δp (kPa)	kPa
5 - 25	10
20 - 60	30



Provtryckning

Max. provtryck 25 bar

Vid provtryckning av systemet ska impulsröret vara anslutet och alla parventiler vara öppna.

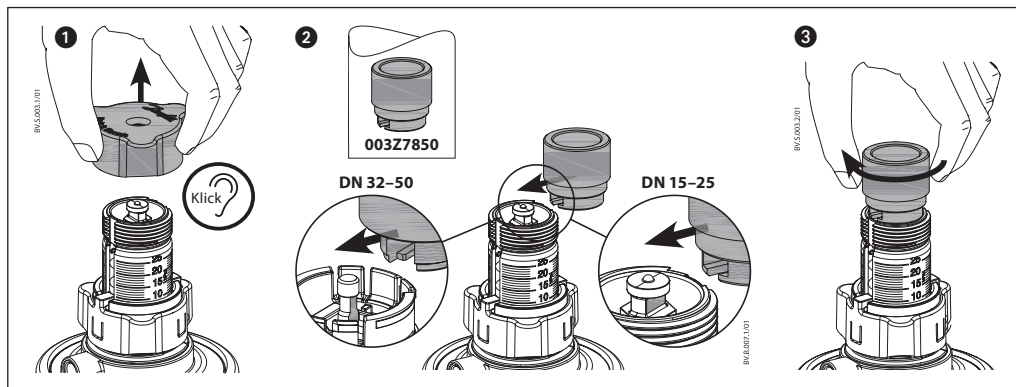
Spolning

ASV-PV-ventiler tillåter att systemet spolas från framledningen. Använd följande procedur för spolning av systemet:

1. Kontrollera att systemet är fyllt med vatten
2. Demontera avstängningshandtaget ① och montera spolningstillbehör ② (best.nr **003Z7850**) på ASV-PV-ventilens fjäderstyrning.

3. Roter spolningstillbehöret för hand medurs till slutpositionen innan spolning av systemet ③.
4. Spolning av systemet görs med flödet i samma riktning som pilen på ventilhuset.
5. Efter spolning av systemet vrider du moturs till startpositionen.

Obs! Kontrollera att systemet är fyllt med vatten innan du monterar spolningstillbehöret för att säkerställa att differensstrycket inte överstiger 5 bar.


Mätning av flöde och differensstryck

Differensstrycket över ASV-BD-ventilen kan erhållas på följande sätt:

- Genom mätning. Använd Danfoss PFM eller något annat mätinstrument. ASV-BD är utrustad med två testpluggar så att differensstrycket över ventilen kan mätas.
- Med hjälp av tryckfallskurvan för ASV-BD (**bilaga A**, figur C), där det faktiska differensstrycket över en ventil kan omvandlas till faktiskt flöde.

Obs! Vid mätning av dimensionerat flöde måste alla radiatortermostatgivare vara helt öppna (nominellt flöde).

Mätning av differensstryck (Δp) över stammen. Montera ett anslutningsdon för mätning (best.nr **003L8143**) på dräneringsanslutningen på ASV-PV balanseringsventil (DN 15–50). Mätningar ska göras mellan:

- testpluggen på ASV-BD-ventilen (den blå testpluggen måste vara öppen – fabriksinställning) och anslutningsdonet för mätning på ASV-PV.
- testpluggen på ASV-M-ventilen (port B) och anslutningsdonet för mätning på ASV-PV.

Flödeskontroll (om ASV-BD används i yttre reglerslingan)

Använd följande förfarande:

1. Den blå testpluggen på ASV-BD måste vara öppen (fabriksinställning).
2. Inställningen på ASV-BD är på maximalt värde.
3. Flödet kan mätas med Danfoss PFM eller mätinstrument av ett annat märke.
4. Om tryckfallet över ventilen är för lågt för tillförlitlig flödesmätning måste ASV-BD ställas in på en lägre inställning för att ett tillräckligt högt tryckfall ska uppnås över ventilen.

Pumpoptimering

Δp -mätning kan också användas för att optimera pumptrycket. Det är viktigt att mäta den sista (index) stammen i systemet och vid full belastning (alla TRV:er är helt öppna).

Δp ska iakttas medan pumphastigheten minskas. Målet är att optimera pumpen på lägsta möjliga inställning och samtidigt säkerställa att trycket och flödet är tillräckligt.

Pumptrycket kan minskas så att endast det minimalt erforderliga trycket är tillgängligt vid den sista stammen.

Felsökning

Kontrollera följande om stamregulatorn inte fungerar korrekt:

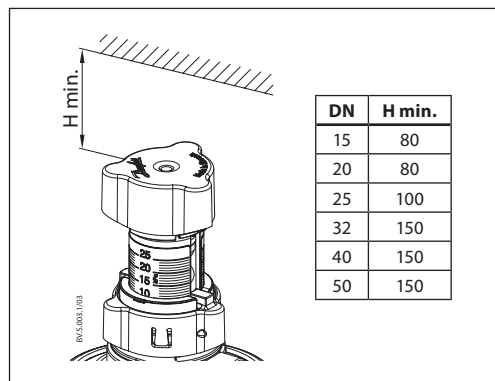
1. Är flödesriktningen genom ventilen korrekt?
2. Är impulsröret korrekt monterat och eventuella testpluggar öppna?
3. Är ventilens avstängning öppen?

Installationshöjder

Installationshöjderna kan minskas för att förenkla installationen av ASV-PV där utrymmet är begränsat.

Ventilen vrids till maximal inställning och den blå ratten kan tas bort.

För avancerade användare:
Se installationshandboken för ASV-PV uppgraderingssats för mer information om installationshöjder.

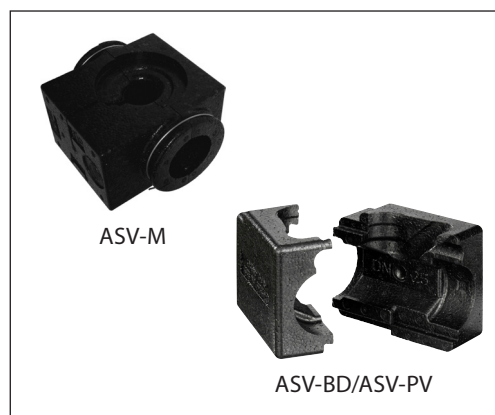

Isolering

ASV-PV (versioner med isolering) och ASV-BD-ventilen levereras tillsammans med isoleringskåpa av EPP. Isoleringskåpa med påklickningsfunktion för snabb och enkel montering på ventilen. En isoleringskåpa av EPP erbjuds för användning vid högre temperaturer, upp till 120 °C.

ASV-M-ventilen levereras med EPS-isolering som kan användas som isolering i system där temperaturen inte är högre än 80 °C vid kontinuerlig drift.

För beställning, se tabellen **Tillbehör och reservdelar**.

Båda materialen (EPS och EPP) är godkända enligt brandklassningsstandard B2, DIN 4102.

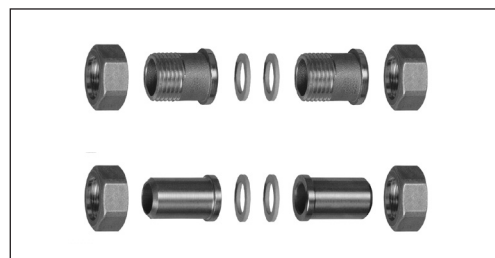

Kopplingar

För ventiler med utvärdig gänga erbjuder Danfoss gängade eller svetsade ändrör som tillbehör.

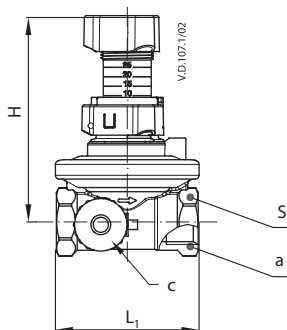
Material:

Muttermässing
Ändrör för svetsning stål
Gängat ändrörmässing

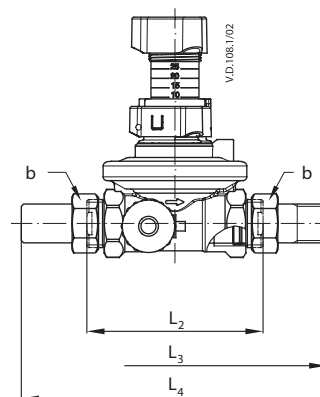
För beställning, se tabellen **Tillbehör och reservdelar**.



Mått



Invändig gänga (ISO 7/1)



Utvändig gänga (ISO 228/1)

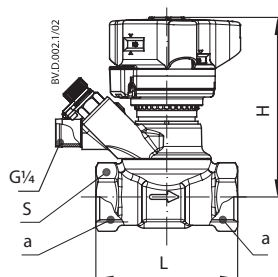
ASV-PV

DN	L ₁	L ₂	L ₃	L ₄	H ¹⁾	H _{min} ²⁾	H _{max} ³⁾	S	a	b	c
	mm								ISO 7/1	ISO 228/1	
15	65	85	140	159	111	96	116	27	Rp ½	G ¾ A	G ¾ A
20	75	100	161	184	111	96	116	32	Rp ¾	G 1 A	
25	85	110	180	194	136	113	143	41	Rp 1	G 1 ¼ A	
32	95	121	206	184	191	183	213	50	Rp 1 ¼	G 1 ½ A	
40	100	136	242	220	200	192	222	55	Rp 1 ½	G 1 ¾ A	
50	130	166	280	250	203	195	225	67	Rp 2	G 2 ¼ A	

¹⁾ vid 10 kPa eller 30 kPa fabriksinställning

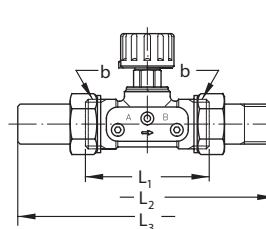
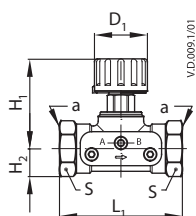
²⁾ vid 25 kPa eller 60 kPa inställning

³⁾ vid 5 kPa eller 20 kPa inställning



ASV-BD

DN	L	H	S	a
	mm			ISO 228/1
15	65	92	27	G ½
20	75	95	32	G ¾
25	85	98	41	G 1
32	95	121	50	G 1 ¼
40	100	125	55	G 1 ½
50	130	129	67	G 2



ASV-M

DN	L ₁	L ₂	L ₃	H ₁	H ₂	D ₁	S	a	b
	mm								ISO 7/1
15	65	120	139	48	15	28	27	Rp ½	G ¾ A
20	75	136	159	60	18	35	32	Rp ¾	G 1 A
25	85	155	169	75	23	45	41	Rp 1	G 1 ¼ A
32	95	172	179	95	29	55	50	Rp 1 ¼	G 1 ½ A
40	100	206	184	100	31	55	55	Rp 1 ½	G 1 ¾ A
50	130	246	214	106	38	55	67	-	G 2 ¼ A

Mått - isolering

ASV-PV

DN	A	B	C	H
	mm			
15	95	120	110	36
20	110	130	130	42
25	135	145	140	50
40	155	165	170	59
50				

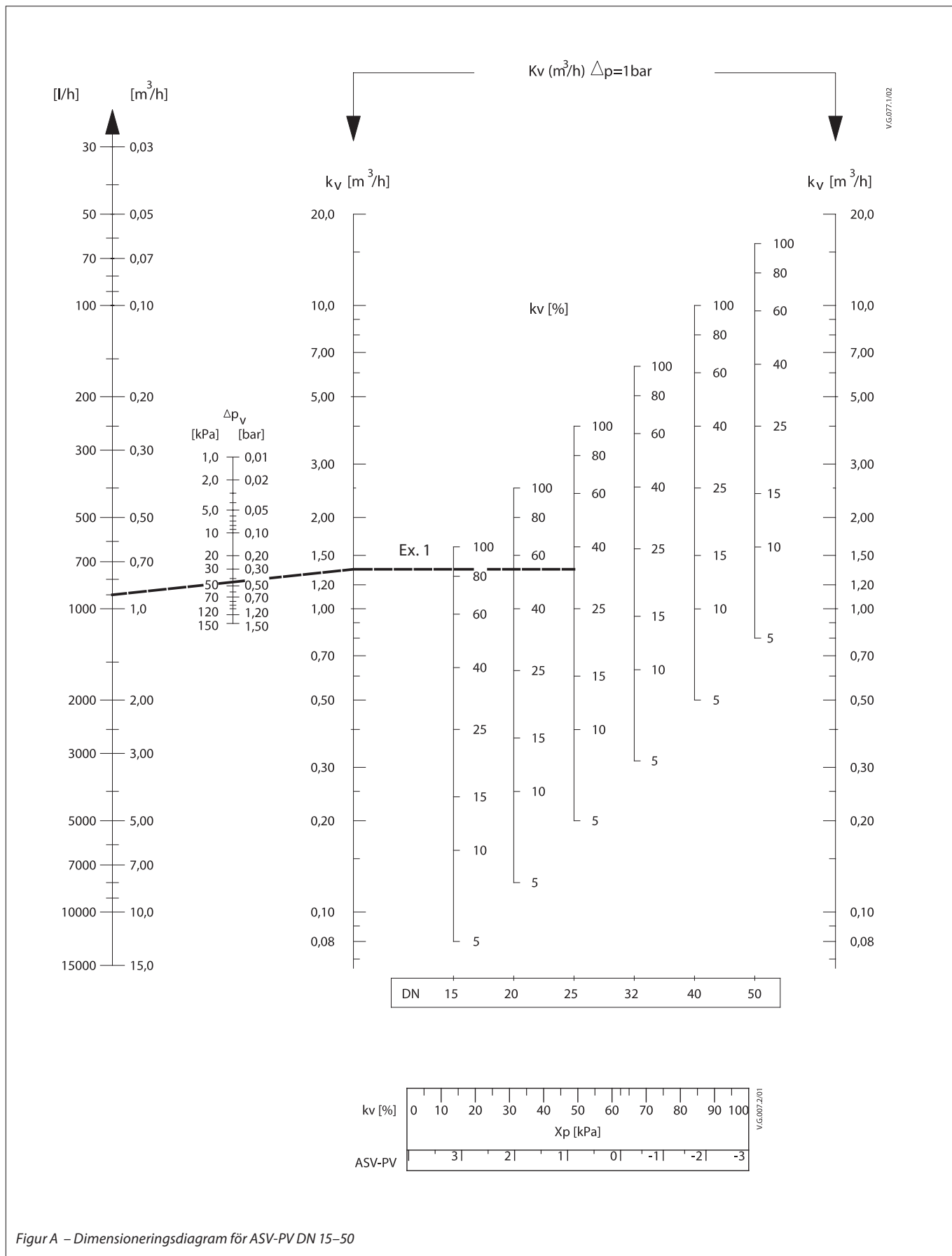
ASV-BD

DN	A	B	C	H
	mm			
15	79	85	122	31
20	84	85	122	33
25	99	85	122	45
32	132	85	185	55
40	138	130	185	57
50	138	126	185	53

ASV-M

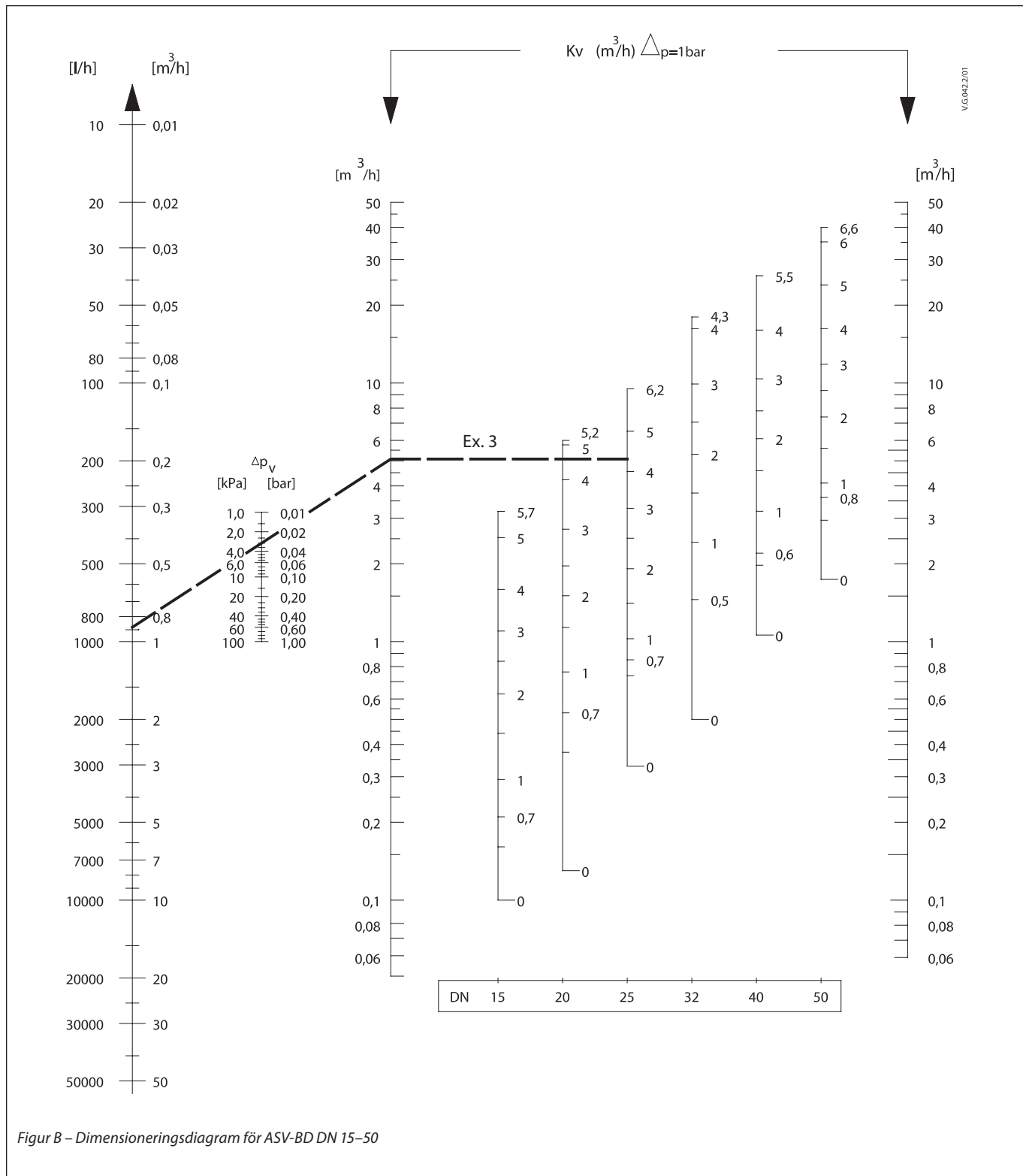
DN	A	B	C	H
	mm			
15	61	110	111	30
20	76	120	136	38
25	100	135	155	50
32	118	148	160	60
40	118	148	180	60

Bilaga A – dimensioneringsdiagram



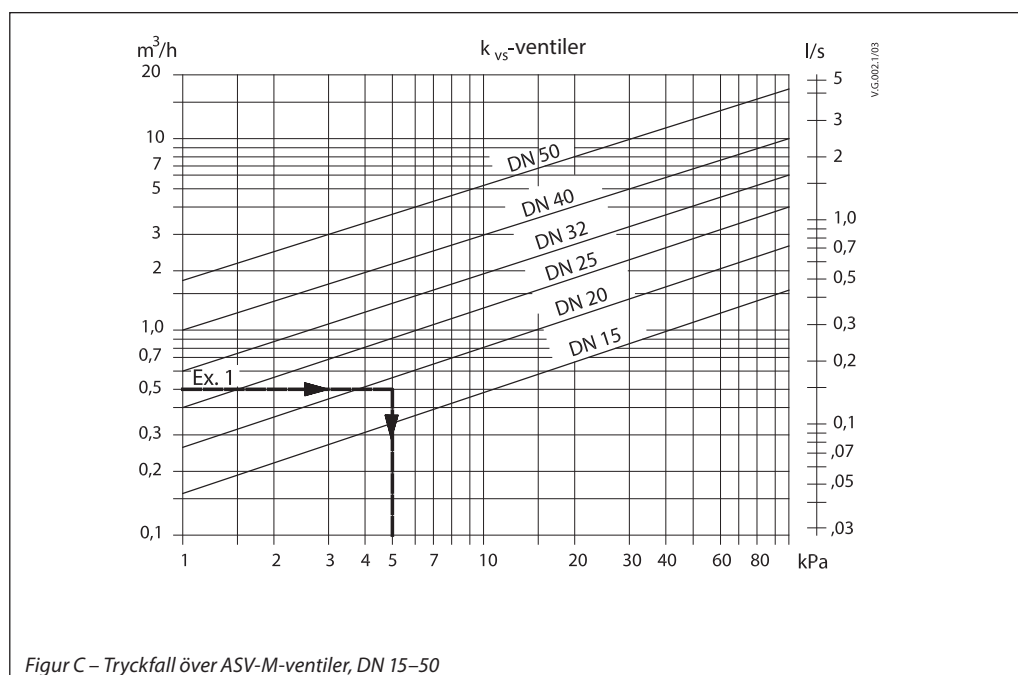
Figur A – Dimensioneringsdiagram för ASV-PV DN 15-50

Bilaga A – dimensioneringsdiagram
(fortsättning)



Figur B – Dimensioneringsdiagram för ASV-BD DN 15–50

Bilaga A –
dimensioneringsdiagram
(fortsättning)



Beskrivningstext för ASV-PV Beskrivningstext för ASV-PV DN 15–50 (4:e gen.)

Grenledningen bör balanseras med en differenstrycksregulator för dynamisk hydronisk balans, med följande egenskaper:

- Ventilen ska hålla differenstrycket stabilt över grenledningen med en membrandrivna regulator.
- Ventilen ska ha variabel differenstrycksinställning.
- Det minsta differenstrycket som krävs över ventilen ska inte vara högre än 10 kPa, oberoende av Dp-inställningen.
- Ventilen ska ha tätning metall mot metall (ventilkägla och säte) för optimala prestanda för differenstrycksreglering vid låga flöden.
- Differenstrycksinställningen ska vara linjär med en visuell skala och inte kräva verktyg. En låsfunktion ska vara integrerad för att förhindra obehörig ändring av inställningen.
- Inställningsområdet ska vara anpassningsbart genom fjäderbyte. Fjädern ska vara utbytbar under tryck.
- Ventilen ska tillhandahålla ett inställningsområde för differenstrycket som passar tillämpningen för att säkerställa optimala systemprestanda (t.ex. inställningsområdet 5–25 kPa för radiatorbaserade system).
- Ventilens kapacitet per ventilstorlek ska täcka flödeshastigheter enligt VDI 2073-standarden (med vattenhastighet på upp till 0,8 m/s).
- Ventilen ska ha en avstängningsfunktion som är skild från inställningsmekanismen. Funktionen avstängning för service ska vara möjlig att aktivera för hand/utan verktyg.
- En dräneringsfunktion ska vara integrerad i ventilen.
- Ventilerna ska ha integrerad spolningsfunktion. Spolning ska kunna göras utan spolningstillbehör.
- Ventilen ska levereras med impulsrör. Impulsrörets innerdiameter ska inte vara större än 1,2 mm för att säkerställa optimala prestanda i systemet.
- Ventilen ska levereras med värmeisoleringskåpor, upp till 120 °C.
- Ventilen ska levereras i en tillförlitlig förpackning för säker transport och hantering.

Produktegenskaper:

- a. Tryckklass: PN 16
- b. Temperaturområde: 0 till +120 °C
- c. Anslutningsstorlek: DN 15–50
- d. Anslutningstyp: Invändig gänga ISO 7/1 (DN 15–50), utvändig gänga ISO 228/1 (DN 15–50)
- e. Inställningsområde för Δp : 5–25 kPa, 20–60 kPa
- f. Max. differenstryck över ventil: 2,5 bar
- g. Installation: Differenstrycksregulatorn ska monteras på returledningen med anslutning via impulsrör till matningsledningen.



Danfoss AB

S-581 99 Linköping
Industrigatan 5
Tfn 013 25 85 00
Fax 013 13 01 81

E-mail: danfoss@danfoss.se
www.danfoss.com/sweden

Danfoss tar ej på sig något ansvar för eventuella fel i kataloger, broschyrer eller annat tryckt material. Danfoss förbehåller sig rätt till (konstruktions) ändringar av sina produkter utan föregående avisering. Det samma gäller produkter upptagna på inbeställda order under förutsättning att redan avtalade specifikationer ej ändras. Alla varumärken i det här materialet tillhör respektive företag. Danfoss och Danfoss logotyp är varumärken som tillhör Danfoss A/S. Med ensamrätt.