

iBVD

Dokument Id
5569845224-00065
Version
2

Skapad
2023-04-27
Publicerad
2023-04-27



Uppgiftslämnaren reserverar sig för eventuella fel i produktinformationen eller felaktigt registrerade uppgifter och förbehåller sig rätten att korrigera och/eller komplettera produktinformation utan föregående avisering

1 GRUNDDATA

Varubeskrivning

Tvättställsblandare för bänkmontage.

Övriga upplysningar

Tvättställsblandare med en användarvänlig pinnspak som är enkel att greppa. Avzinkningshärdig 4MS mässing. F = flexibla anslutningar. Bygger på Oras 3.0 kassett med inbyggd flödes och temperaturspär.

Innehåller endast 4MS godkända mässingslegeringar.

Klassificeringar

ETIM >	-EC011328 - Tvättställsblandare
BK04 >	-20107 - Sanitetsarmatur
BSAB >	-PVB.23 - Tvättställsblandare och bidéblandare
UNSPSC >	-30181700

Leverantörsuppgifter

Företagsnamn

Oras Sverige AB

Organisationsnummer

5569845224

Adress

Svetsarvägen 10B

Hemsida

www.oras.com

Miljökontaktperson

Namn

Jörgen Sjölander

Telefon

070-5883521

E-post

jorgen.sjolander@oras.com

2 HÅLLBARHETSARBETE

Företagets certifiering

- ISO 9001
- ISO 14001
- ISO45001 ISO50001

Polycys och riktlinjer

www.orasgroup.com

3

INNEHÅLLSDEKLARATION

Kemisk produkt	Nej
Innehåller produkten elektronik	Nej
Omfattas varan av RoHs-direktivet	Nej
Varans vikt	1,3 - 1,4 kg

Vara / Delkomponenter

Koncentrationen har beräknats på hela varan

Ingående material /komponenter	Vikt-% i komponent	CAS-nr (alt legering)	EG-nr (alt legering)	Vikt % i produkt	Kommentar
Polyetylenwax, marlex, PE		9002-88-4		0,795%	
Mässing CW625N* (CuZn35Pb1.5AlAs) Pb ≤1,6%, As ≤0,15%, Ni ≤ 0,2% (*=4MS B,C)		Övrigt, metaller		5,97%	
Koppar		7440-50-8	231-159-6	0,031%	
Nickel		7440-02-0	231-111-4	0,023%	
Krom (metallisk)		7440-47-3	231-157-5	0,006%	
Zink (Metallisk zink i legering)		7440-66-6	231-175-3	11,36%	
Poly(oxyethylene)		9002-81-7		0,317%	
Polybutylterefalat		24968-12-5	Saknas	0,323%	
Polisiloxan		63148-53-8	Saknas	0,059%	
Polyamides		63428-83-1	Saknas	0,58%	
EPDM		308064-28-0		0,573%	
Mässing CW617N* (CuZn40Pb2), Pb* ≤2,2% , Ni* ≤ 0,1% (*=4MS B,C)		Övrigt, metaller		2,388%	
Mässing CW614N* (CuZn39Pb3), Pb ≤ 3,5%, Ni* ≤ 0,2% (*=4MS C)		Övrigt, metaller		17,43%	
Mässing CW511L* (CuZn38As), Pb ≤ 0,2%, Ni ≤ 0,3%, As ≤ 0,15%		Övrigt, metaller		1,16%	

(*=4MS B,C)					
Mässing CC770S* (CuZn36Pb-C), Pb ≤1.6%, Ni ≤ 0,2%, As ≤0,14% (*=4MS B,C)		Övrigt, metaller		51,241%	
Aluminiumtrioxid, Aluminiumoxid		1344-28-1	215-691-6	0,514%	
ABS (Acrylnitril-Butadien- Styrol)		9003-56-9		0,257%	
Rostfritt stål, AISI 304, 8- 10,5% Ni, Bedömning på legeringsnivå		12597-68-1	603-108-1	6,95%	

Del av materialinnehållet som är deklarerat

99,98%

Särskilt farliga ämnen

Följande ämnen finns med på kandidatförteckningen i en koncentration och som överstiger 0,1 vikts-%:

Namn	CAS-nr	EG-nr	Vikt % i produkt
Bly	7439-92-1	231-100-4	Inget angivet

Utgåva av kandidatförteckningen som har använts

2023-04-17

Nanomaterial

Innehåller produkten tillsatt nanomaterial, som är medvetet tillsatta för att uppnå en viss funktion?: Nej

Tillsatt högflourerade ämnen (PFAS)

Innehåller produkten tillsatt högflourerade ämnen (PFAS), som är aktivt tillsatta för att uppnå en specifik funktion?: Nej

Övrigt

Ämnen är redovisade ned till 0,1% viktprocent enligt iBVDs redovisningskrav. Eventuell avvikelser från redovisningskraven redovisas nedan

4

RÅVAROR

Återvunnet material

Innehåller varan återvunnet material: Ja

Specifikation av vilka material och andel som utgörs av den totala varans vikt

1. Återvunnet material
2. Andel (%) av totala varans vikt
3. Andel (%) av det återvunna materialet vilket **inte** har passerat konsumentledet
4. Andel (%) av det återvunna materialet vilket har passerat konsumentledet

1	2	3	4
mässing	78 %	10 %	90 %
zink	10 %	10 %	90 %
Rostfritt stål	7 %	40 %	60 %

Träråvara

Träråvara ingår i varan: Nej

5

MILJÖPÅVERKAN

Finns en miljövarudeklaration framtagen enligt EN15804 eller ISO14025 för varan

Ja

Finns annan miljövarudeklaration

Ej angivet

Om miljövarudeklaration eller annan livscykelanalys saknas, beskriv hur miljöpåverkan av varan beaktas ur ett livscykelperspektiv

Den största delen av en blandares miljöpåverkan uppstår under dess användande och påverkas av uppvärmning och användande av vatten. Tillverkningsprocessen av blandare (material och energi) står för ca 0,2% av produkternas totala miljöpåverkan. En blandare är till stor del tillverkad av återvunnen mässing därutöver återanvänds större delen av det avfall som uppstår vid produktion av varan.

6

DISTRIBUTION

Beskrivning av emballagehantering för distribution av varan

Levereras i återvinningsbar wellpapp. Företaget är anslutet till FTI (förpacknings & Tidningsinsamlingen) och uppfyller därmed producentansvaret för emballage.

7

BYGGSCKEDET

Ställer varan särskilda krav vid lagring? Nej

Ställer varan särskilda krav på omgivande byggvaror? Nej

8

BRUKSSKEDET

Finns skötselansvisningar/skötselråd? Ja

Finns en energimärkning enligt energimärkningsdirektivet (2017/1369/EU) för varan? Ej relevant

9

RIVNING

Kräver varan särskilda åtgärder för skydd av hälsa och miljö vid rivning/demontering? Nej

10

AVFALLSHANTERING

Omfattas den levererade varan av förordningen (2014:1075) om producentansvar för elektriska och elektroniska produkter när den blir avfall? Nej

Är återanvändning möjlig för hela eller delar av varan? Ja

Oras tillhandahåller reservdelar till produkter i minst 10år efter att produkt utgått ur sortiment och kan således återanvändas vid behov.

Är materialåtervinning möjlig för hela eller delar av varan? Ja

Oras blandare består till största delen av återvunnen mässing. Uttjänta produkter lämnas till metallåtervinning. Med några få undantag är all plast som används i Oras blandare återvinningsbar. Med några få undantag är allt förpackningsmaterial är fiberbaserat och återvinningsbart.

Är energiåtervinning möjlig för hela eller delar av varan? Ja

Plastdetaljer och förpackningsmaterial kan förbrännas för energiåtervinning.

Har leverantören restriktioner och rekommendationer för återanvändning, material- eller energiåtervinning eller deponering? Ja

Information om återvinning följer med produkternas anvisningar samt finns på vår websida.

När den levererade varan blir avfall, klassas den då som farligt avfall? Nej

Avfallskod (EWC) för den levererade varan

170401

RSK-nummer	Eget Artikel-nr	GTIN
827 50 11	2605FH	6414150099236
827 51 12	2605FH-105	6414150102356
827 56 82	2605FH-33	6414150102561
827 50 13	2601FH	6414150099250
827 56 84	2601FH-33	6414150102523

Produktdatablad	2605FH.pdf
Prestandadeklaration	
Säkerhetsblad	
RoHS-intyg	
Miljövarudeklaration	Oras Group EPD_Washbasin faucet_2023.pdf
Skötselansvisning	Drift_o_skötsel-02-20.pdf
Övriga bifogade dokument	

orasgroup

EPD®



Environmental Product Declaration

In accordance with ISO 14025 and EN 15804:2012+A2:2019 for:

Product group: **Washbasin faucet** according to reference
product 54472207

from

Oras Group

Programme:

Programme operator:

EPD registration number:

Publication date:

Valid until:

The International EPD® System, www.environdec.com

EPD International AB

S-P-06391

2022-12-23


2027-12-23

An EPD should provide current information and may be updated if conditions change. The stated validity is therefore subject to the continued registration and publication at www.environdec.com



General information

Programme information	
Programme	The International EPD® System
Address	EPD International AB Box 210 60 SE-100 31 Stockholm Sweden
Website	www.environdec.com
E-mail	info@environdec.com

Accountabilities for PCR, LCA and independent, third-party verification	
Product Category Rules (PCR)	<p>CEN standard EN 15804 serves as the Core Product Category Rules (PCR)</p> <p>Product Category Rules (PCR): Construction products, 2019:14, version 1.2.5, UN CPC 42911 - Sinks, washbasins, baths and other sanitary ware and parts thereof, of iron, steel, copper or aluminium.</p> <p>PCR review was conducted by: The Technical Committee of the International EPD® System. Chair of the PCR review: Claudia A. Peña. The review panel may be contacted via info@environdec.com.</p>
Life Cycle Assessment (LCA)	<p>LCA accountability: Aleksi Laurila, Environmental consultant. Organization: Ecobio Oy.</p>
Third-party verification	<p>Independent third-party verification of the declaration and data, according to ISO 14025:2006, via:</p> <p><input checked="" type="checkbox"/> EPD verification by individual verifier</p> <p>Third-party verifier: Hannu Karppi, Ramboll Finland Oy</p>  <p>Approved by: The International EPD® System</p>
<p>Procedure for follow-up of data during EPD validity involves third party verifier: <input type="checkbox"/> Yes <input checked="" type="checkbox"/> No</p>	

The EPD owner has the sole ownership, liability, and responsibility for the EPD.

EPDs within the same product category but from different programmes may not be comparable. EPDs of construction products may not be comparable if they do not comply with EN 15804. For further information about comparability, see EN 15804 and ISO 14025.

Company information

Owner of the EPD	Oras Group
Contact	Phone: +358 2 83 161 Email: info@orasgroup.com www.orasgroup.com
Description of the organisation	<p>Oras Group is a significant European provider of sanitary fittings: the market leader in the Nordics and a leading company in Continental Europe. The company's mission is to create the smartest water experiences for everyone and its vision is to become the Perfect Flow Company. The Group has two strong brands, Oras and Hansa. Oras Group is owned by Oras Invest, a family company, and an industrial owner.</p> <p>The domicile of Oras Ltd, the parent company of the Group, is located in Rauma, Finland, and the Group has three manufacturing sites: Kralovice (Czech Republic), Olesno (Poland) and Rauma (Finland). The Group operates with its own staff in 17 markets. Oras Group's net sales were 233.5 million euros in 2021 and at the end of the period the company employed 1255 people.</p>
Product-related or management system-related certifications	Designation according to standard EN 817.
Management system related certifications	ISO 9001:2015 ISO14001:2015 ISO 45001: 2018 ISO 50001:2018
Name and location of production sites	<p>Oras Group Rauma production site Isometsäntie 2, FI 26101 Rauma, Finland</p> <p>Oras Group Olesno production site Ul. Leśna 2, PL 46-300 Olesno, Poland</p> <p>Oras Group Kralovice production site Zatecka 888, CZ 33141 Kralovice, Czech Republic</p>



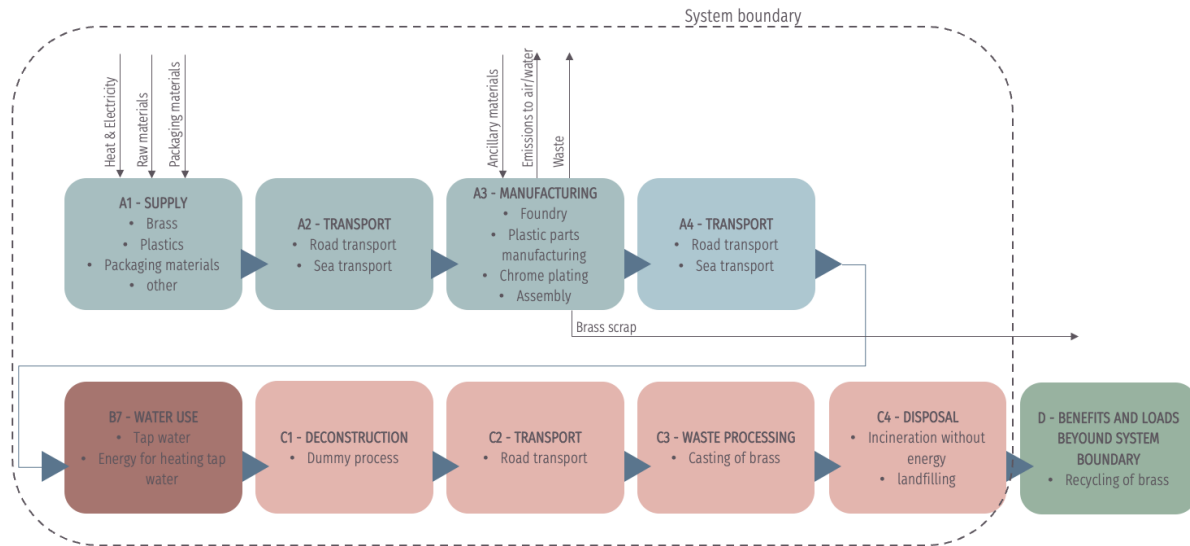
Product group information

Product group name	Washbasin faucet
Product group EPD development criterion	This EPD covers washbasin faucets product group. Worst-case scenario approach was applied while developing the EPD. Share of brass (%) from the net weight of the product was selected as the indicator for determining worst-case product within the product group. LCIA profile presented in this EPD is based on a product that has the highest share of brass (%) from mass perspective within the product group.
Product group identification	Mechanical mixing valve for washbasin, horizontal mounted, single hole, according to EN 817.
Product group description	Oras Group products are manufactured in our own European factories by focusing into sustainable energy sources, highly efficient processes and minimized material usage and waste. Faucets include built-in features for water flow and temperature limitation to ensure sustainable product life cycle with efficient use of energy.
UN CPC code	42911 - Sinks, washbasins, baths and other sanitary ware and parts thereof, of iron, steel, copper or aluminium.
Geographical scope	Europe
Included products	Reference product is 54472207. The EPD covers products listed at the end of the EPD document.

LCA information

Functional unit / declared unit	1 kg of Washbasin faucet
Reference service life	The reference service life for washbasin faucet is 16 years. The technical service life for washbasin faucet is 25 years.
Time representativeness	The data was collected covering production year 2020, which is considered to represent average production year for washbasin faucets. The material declarations used as a basis for modelling the raw material supply are compiled in 2022.
Databases and LCA software	Ecoinvent 3.8 and SimaPro (Version 9.4.0.2).
Description of system boundaries	Cradle to gate with options, modules C1-C4, module D and with optional modules (A1-A3 + C + D and additional modules). The additional modules are A4 and B7.

System diagram



LCA practitioner	Ecobio Oy, www.ecobio.fi
Allocation	Co-product allocation was applied for the brass scrap that is produced from the foundry process. Economic co-product allocation was applied based on the hierarchy presented for co-product allocation on the EN 15804:2012+A2:2019.
Electricity used in module A3	<p>The electricity used in module A3 accounts for more than 30 % of the total energy consumption in modules A1-A3. Therefore, the used energy sources for electricity production and climate change impact of the electricity mix are stated.</p> <p>At Rauma production site the electricity is 100 % based on hydropower. GWP-GHG impact of the used electricity mix is 5,4 g CO₂-eq/kWh.</p> <p>At Olesno manufacturing facility the electricity is based on biomass and biogas 5,90 %, hydropower 1,72 %, wind 11,85 %, solar (PV) 0,45 %, coal 47,61 %, lignite 23,59 % and natural gas 8,88 %. GWP-GHG impact of the used electricity mix is 694,0 g CO₂-eq/kWh.</p> <p>At Kralovice manufacturing facility the electricity is based on coal 40,83 %, nuclear 42,06 %, natural gas 10,35 %, biomass 4,43 %. GWP-GHG impact of the used electricity mix is 850,0 g CO₂-eq/kWh.</p>
Information about scenarios and additional technical information	The scenario for operational water use is described on chapter "Additional Information".

Modules declared

geographical scope, share of specific data (in GWP-GHG indicator) and data variation:

	Product stage			Construction process stage		Use stage							End of life stage				Resource recovery stage
	Raw material supply	Transport	Manufacturing	Transport	Construction installation	Use	Maintenance	Repair	Replacement	Refurbishment	Operational energy use	Operational water use	De-construction demolition	Transport	Waste processing	Disposal	Reuse-Recovery-Recycling-potential
Module	A1	A2	A3	A4	A5	B1	B2	B3	B4	B5	B6	B7	C1	C2	C3	C4	D
Modules declared	x	x	x	x	ND	ND	ND	ND	ND	ND	ND	x	x	x	x	x	x
Geography	EU27	EU27	EU27	EU27	-	-	-	-	-	-	-	EU27	EU27	EU27	EU27	EU27	EU27
Specific data used	> 90 %					-	-	-	-	-	-	-	-	-	-	-	-
Variation – products	12 %					-	-	-	-	-	-	-	-	-	-	-	-
Variation – sites	47 %					-	-	-	-	-	-	-	-	-	-	-	-

Modules explained

LCA Modules	
A1 Raw material supply This module contains the supply of raw materials including brass, stainless steel, plastics, rubbers and other materials in smaller quantities.	C1 De-construction This module is assumed to not cause environmental impacts as the de-construction of faucet product can be done with manual labour and does not require external energy sources.
A2 Transportation This module contains the transportation of raw materials and prefabricated components from suppliers to Oras Group's production facilities. Average transportation route covering all the relevant raw materials was developed as there is wide range of possible supply locations even for single raw materials and components. Transportation takes place by road and sea.	C2 Transport This module contains the transportation of product for waste processing to nearest waste processing facility. Transportation is done by road and the distance is assumed to be 50 km.
A3 Manufacturing This module contains the relevant production processes for washbasin faucets. The most relevant processes are casting in foundry, production of plastic parts and chrome-plating of brass and plastic parts. Treatment of waste and wastewater are also included. The used electricity mix for manufacturing stage is stated on chapter "LCA Information".	C3 Waste processing This module contains the waste processing related to material recycling of brass. It is assumed that 90 % of the brass is headed for material recycling process, which includes casting of brass into brass ingots.
A4 Transport This module contains the transportation of the final product to warehouses from where further distribution takes place. Both truck and ferry transportation are included. Transportation distance is 486-1 074 km by road and 0-123 km by sea depending on the location of the warehouse. The scenario does not included transportation to construction site.	C4 Disposal This module contains final disposal of materials that are not headed for material or energy recovery. Stainless steel, plastic components, rubber components, packaging materials of the final product and 10 % of brass are assumed to be headed for incineration without energy recovery. Other components in smaller quantities are assumed to be headed to landfill.
B7 Operational water use This module contains the production, heating and wastewater treatment of tap water related to the use of washbasin faucet. The scenario for operational water use is described more precisely on chapter "Additional Information".	D Benefits and loads beyond system boundary This module contains the benefits related to material recycling of brass. Brass is recycled through casting process, and it is assumed to substitute virgin brass production from the market

Content information

Product components	Weight, kg	Post-consumer material, weight-%	Renewable material, weight-%
Acrylonitrile butadiene styrene	0,0016	0 %	0 %
Aluminium oxide	0,0031	0 %	0 %
Brass	0,8462	0 %	0 %
Chromium	0,0001	0 %	0 %
Copper	0,0003	0 %	0 %
Ethylene propylene diene monomer	0,0035	0 %	0 %
Grease	0,0004	0 %	0 %
Nickel	0,0002	0 %	0 %
Polyamide	0,0035	0 %	0 %
Polybutylene terephthalate GF30	0,0020	0 %	0 %
Polyoxymethylene	0,0015	0 %	0 %
Polyoxymethylene GF10	0,0003	0 %	0 %
Silicone	0,0003	0 %	0 %
Softpex	0,0188	0 %	0 %
Stainless steel	0,0399	0 %	0 %
Svhc	0,0098	0 %	0 %
Zinc	0,0685	0 %	0 %
TOTAL	1,0000	0 %	0 %
Packaging materials	Weight, kg	Weight-% (versus the product)	
Corrugated board	0,2716	27,16 %	
Paper	0,0145	1,45 %	
Polyethylene	0,0030	0,30 %	
Sharp tear	0,0001	0,01 %	
TOTAL	0,2892	28,92 %	

The products do not contain substances which exceed the limits for registration with the European Chemicals Agency regarding the "Candidate List of Substances of Very High Concern for authorization". The products contain one substance of the "list of substances of very high concern (SVHC)". The substance is lead as a composition in brass alloys up to 3,5% while still complying to the EU Drinking Water Directive (DWD) and 4 MSI positive list for metallic materials.

Environmental Information

Potential environmental impact – mandatory indicators according to EN 15804

Results per 1 kg of Washbasin faucet

Indicator	Unit	A1	A2	A3	Tot. A1-A3	A4	B7	C1	C2	C3	C4	D
GWP-fossil	kg CO2 eq.	5,18E+00	2,48E-01	4,90E-01	5,92E+00	1,64E-01	3,09E+02	0,00E+00	1,07E-02	1,22E-02	4,46E-02	-4,21E+00
GWP-biogenic	kg CO2 eq.	3,54E-02	1,64E-04	-3,07E-02	4,87E-03	1,41E-04	1,23E+01	0,00E+00	1,03E-05	1,54E-03	5,52E-01	-2,71E-02
GWP-luluc	kg CO2 eq.	1,11E-02	1,16E-04	1,71E-03	1,29E-02	6,62E-05	2,73E-01	0,00E+00	5,04E-06	3,84E-06	7,91E-06	-9,32E-03
GWP-total	kg CO2 eq.	5,23E+00	2,48E-01	4,61E-01	5,94E+00	1,64E-01	3,22E+02	0,00E+00	1,07E-02	1,37E-02	5,96E-01	-4,24E+00
ODP	kg CFC 11 eq.	1,09E-06	5,54E-08	4,29E-08	1,19E-06	3,77E-08	3,30E-05	0,00E+00	2,41E-09	1,49E-09	2,93E-09	-2,38E-07
AP	mol H+ eq.	3,44E-01	2,57E-03	1,73E-03	3,48E-01	8,71E-04	1,30E+00	0,00E+00	4,26E-05	2,85E-05	1,64E-04	-3,06E-01
EP-freshwater	kg P eq.	1,01E-02	5,32E-06	6,97E-05	1,01E-02	3,81E-06	5,42E-02	0,00E+00	2,98E-07	8,82E-07	1,54E-06	-9,01E-03
EP-marine	kg N eq.	1,82E-02	6,75E-04	8,34E-04	1,97E-02	2,50E-04	1,03E+00	0,00E+00	1,24E-05	8,05E-06	2,61E-04	-1,57E-02
EP-terrestrial	mol N eq.	2,50E-01	7,45E-03	5,47E-03	2,63E-01	2,74E-03	2,57E+00	0,00E+00	1,35E-04	9,43E-05	7,64E-04	-2,15E-01
POCP	kg NMVOC eq.	6,83E-02	2,05E-03	1,29E-03	7,16E-02	8,09E-04	7,28E-01	0,00E+00	4,16E-05	2,66E-05	2,23E-04	-5,92E-02
ADP-minerals&metals*	kg Sb eq.	8,60E-03	7,45E-07	1,50E-06	8,60E-03	5,54E-07	1,10E-03	0,00E+00	4,88E-08	5,49E-08	6,67E-08	-7,61E-03
ADP-fossil*	MJ	6,60E+01	3,62E+00	6,52E+00	7,61E+01	2,46E+00	4,85E+03	0,00E+00	1,60E-01	1,91E-01	1,30E-01	-5,24E+01
WDP	m3	6,03E+00	1,00E-02	1,09E-01	6,15E+00	7,24E-03	1,77E+02	0,00E+00	5,30E-04	9,24E-04	3,55E-03	-5,33E+00
Acronyms	GWP-fossil = Global Warming Potential fossil fuels; GWP-biogenic = Global Warming Potential biogenic; GWP-luluc = Global Warming Potential land use and land use change; ODP = Depletion potential of the stratospheric ozone layer; AP = Acidification potential, Accumulated Exceedance; EP-freshwater = Eutrophication potential, fraction of nutrients reaching freshwater end compartment; EP-marine = Eutrophication potential, fraction of nutrients reaching marine end compartment; EP-terrestrial = Eutrophication potential, Accumulated Exceedance; POCP = Formation potential of tropospheric ozone; ADP-minerals&metals = Abiotic depletion potential for non-fossil resources; ADP-fossil = Abiotic depletion for fossil resources potential; WDP = Water (user) deprivation potential, deprivation-weighted water consumption											

** Disclaimer: The results of this environmental impact indicator shall be used with care as the uncertainties of these results are high or as there is limited experience with the indicator.*

Potential environmental impact – additional mandatory and voluntary indicators

Results per 1 kg of Washbasin faucet												
Indicator	Unit	A1	A2	A3	Tot. A1-A3	A4	B7	C1	C2	C3	C4	D
GWP-GHG1	kg CO2 eq.	5,23E+00	2,48E-01	5,15E-01	5,99E+00	1,64E-01	3,12E+02	0,00E+00	1,07E-02	1,22E-02	1,25E-01	-4,24E+00

Use of resources

Results per 1 kg of Washbasin faucet												
Indicator	Unit	A1	A2	A3	Tot. A1-A3	A4	B7	C1	C2	C3	C4	D
PERE	MJ	1,66E+01	4,53E-02	3,33E+00	2,00E+01	3,40E-02	9,56E+02	0,00E+00	2,70E-03	5,05E-02	1,07E-02	-1,38E+01
PERM	MJ	0	0	0	0	0	0	0	0	0	0	0
PERT	MJ	1,66E+01	4,53E-02	3,33E+00	2,00E+01	3,40E-02	9,56E+02	0,00E+00	2,70E-03	5,05E-02	1,07E-02	-1,38E+01
PENRE	MJ	6,60E+01	3,62E+00	6,51E+00	7,61E+01	2,46E+00	4,85E+03	0,00E+00	1,60E-01	1,91E-01	1,30E-01	-5,24E+01
PENRM	MJ.	0	0	0	0	0	0	0	0	0	0	0
PENRT	MJ	6,60E+01	3,62E+00	6,51E+00	7,61E+01	2,46E+00	4,85E+03	0,00E+00	1,60E-01	1,91E-01	1,30E-01	-5,24E+01
SM	kg	0	0	0	0	0	0	0	0	0	0	0
RSF	MJ	0	0	0	0	0	0	0	0	0	0	0
NRSF	MJ	0	0	0	0	0	0	0	0	0	0	0
FW	m3	1,49E-01	3,66E-04	5,16E-03	1,55E-01	2,69E-04	5,40E+00	0,00E+00	2,02E-05	1,75E-04	2,83E-04	-1,32E-01
Acronyms	PERE = Use of renewable primary energy excluding renewable primary energy resources used as raw materials; PERM = Use of renewable primary energy resources used as raw materials; PERT = Total use of renewable primary energy resources; PENRE = Use of non-renewable primary energy excluding non-renewable primary energy resources used as raw materials; PENRM = Use of non-renewable primary energy resources used as raw materials; PENRT = Total use of non-renewable primary energy re-sources; SM = Use of secondary material; RSF = Use of renewable secondary fuels; NRSF = Use of non-renewable secondary fuels; FW = Use of net fresh water											

¹ The indicator includes all greenhouse gases included in GWP-total but excludes biogenic carbon dioxide uptake and emissions and biogenic carbon stored in the product. This indicator is thus almost equal to the GWP indicator originally defined in EN 15804:2012+A1:2013.

Waste production and output flows

Waste production

Results per 1 kg of Washbasin faucet												
Indicator	Unit	A1	A2	A3	Tot. A1-A3	A4	B7	C1	C2	C3	C4	D
Hazardous waste disposed	kg	4,17E-02	8,19E-06	1,55E-04	4,19E-02	6,82E-06	4,91E-02	0,00E+00	4,29E-07	2,00E-07	4,87E-07	-1,76E-03
Non-hazardous waste disposed	kg	2,08E+00	1,50E-01	2,78E-01	2,51E+00	1,21E-01	1,73E+02	0,00E+00	6,78E-03	1,29E-02	3,23E-02	-1,35E+00
Radioactive waste disposed	kg	1,96E-04	2,43E-05	2,53E-05	2,45E-04	2,15E-05	5,93E-02	0,00E+00	1,07E-06	6,81E-07	6,11E-07	-1,59E-04

Output flows

Results per 1 kg of Washbasin faucet												
Indicator	Unit	A1	A2	A3	Tot. A1-A3	A4	B7	C1	C2	C3	C4	D
Components for re-use	kg	0	0	0	0	0	0	0	0	0	0	0
Material for recycling	kg	0	0	0	0	0	0	0	0	0,762	0	0
Materials for energy recovery	kg	0	0	0	0	0	0	0	0	0	0	0
Exported energy, electricity	MJ	0	0	0	0	0	0	0	0	0	0	0
Exported energy, thermal	MJ	0	0	0	0	0	0	0	0	0	0	0

Information on biogenic carbon content

Results per 1 kg of Washbasin faucet		
BIOGENIC CARBON CONTENT	Unit	QUANTITY
Biogenic carbon content in product	kg C	0,0000
Biogenic carbon content in packaging	kg C	0,1430

Note: 1 kg biogenic carbon is equivalent to 44/12 kg CO₂.

Additional information

The scenario for module B7 “Operational water use” is based on Unified Water Label (UWL), which is a product label developed by European bathroom industry to demonstrate water and energy efficiency of bathroom products. The technical criteria of UWL correlates with existing European and National standards while establishing harmonised calculation criteria for bathroom products. The following parameters were applied when developing the scenario related to operational water use.

Parameter	Amount	Unit
Reference flow	1	l/min
Use cycles per day	7	use cycles/day
Length of use cycle	1	min
Use cycles per year	365	days
Cold water temperature	15	°C
Hot water temperature	38	°C
Heat coefficient of water	4,18	kJ/kgK
Density of water	0,981	kg/l
Length of the use stage	16	years

The annual water consumption according to the parameters stated above is 2 555 l. It is assumed that all of the water consumption for washbasin faucet is hot water. 66,94 kWh of energy is consumed annually for the heating of water. The scenario for operational water use covers 16 years which is the reference service life of washbasin faucets. The energy profile for heating of water is based on Eurostat statistics describing disaggregated final energy consumption in households used for water heating in year 2018. The geographical coverage of the data is Europe (EU27). The following values were applied when modelling the energy profile for heating of domestic water.

Source of energy	Amount	Unit
Solid fossil fuels and peat	1,21	%
Natural gas	32,89	%
Liquefied natural gas	2,48	%
Oil and petroleum products	9,15	%
Other kerosene	0,42	%
Gas oil and diesel oil	6,25	%
Renewables and biofuels	10,54	%
Solar thermal	4,03	%
Ambient heat (heat pumps)	1,06	%
Primary solid biofuels	5,34	%
Biogases	0,09	%
Electricity	16,23	%
District heat	10,31	%
Total	100,00	%

Operational water use scenario

The scenario for operational water use covers the water and energy consumption related to use of washbasin faucet by one person for 16 years according to the calculation parameters described in UWL methodology. The scenario presented in this EPD is an estimation of the potential environmental impacts related to the use stage of faucet product and the scenario aims to emphasize the significance of the use stage in relation to the products life cycle. In reality, the environmental impacts arising from the use stage of the product are very dependent on behavior of the user, nominal flow of the faucet product and energy sources used for heating of domestic water.

The use stage scenario is calculated based on flow rate of 1 l/min to enable further calculations of environmental impacts related to product specific flow rates. More information about the nominal flows of washbasin faucets can be found from Oras Group's website.

Differences versus previous versions

This is an updated version of the EPD for Oras Group's Washbasin faucets. The following changes have been made in relation to the previous version of the EPD:

- LCIA profile for the product group is determined according to the "worst-case scenario" product, which is determined by the share of brass from net weight of product (m-%). LCIA profile was determined as an average of included products for the previous version. This change enables wider variety of products to be included within the product group.
- Use stage scenario is modified so that the flow rate used for calculating the water consumption in the use stage is 1 l/min. Nominal flow of 6 l/min was used in the previous version of the EPD. The change was made due to the fact that the nominal flow of 1 l/min is easier to adapt for the different nominal flows within the Washbasin faucets product group.
- It is assumed that 100 % of the water used in the use scenario is heated water, whereas it was assumed that 40 % of the water is heated in the previous version of the EPD.

References

Disaggregated final energy consumption in households – Energy use – Water heating. Eurostat. 2022.
Ecobio LCA report – Faucet products. Oras Group. 2022.
General Programme Instructions of the International EPD® System. Version 4.0.
MEErP Preparatory Study on Taps and Showers. European Commission. 2014.
PCR 2019:14. Construction products. Version 1.2.5.
Taps & showers technical criteria. Unified Water Label. 2020.



Included products

2605FH	Washbasin faucet	2610AF	Washbasin faucet
54372207	Washbasin faucet	571822730004	Washbasin faucet
5526A	Washbasin faucet	45232185	Washbasin faucet
571522730005	Washbasin faucet	5619B	Washbasin faucet
2611FH	Washbasin faucet	1007F	Washbasin faucet
571522730004	Washbasin faucet	52552267	Washbasin faucet
54472207	High washbasin faucet	01092183	Washbasin faucet
1006F	High washbasin faucet	5611B	Washbasin faucet
1006F-33	High washbasin faucet	45022185	Washbasin faucet
3911F-104	Washbasin faucet	571822730005	Washbasin faucet
3914F-105	Washbasin faucet	3914F-104	Washbasin faucet
3911F	Washbasin faucet	1012F	Washbasin faucet
5142229300056	Washbasin faucet	3904	Washbasin faucet
51522293	Washbasin faucet	1012F-102	Washbasin faucet
1510F-105	Washbasin faucet	2601FH	High washbasin faucet
515022930004	Washbasin faucet	1812FGG	Washbasin faucet
515022930005	Washbasin faucet	1012F-104	Washbasin faucet
3911F-105	Washbasin faucet	1012F-105	Washbasin faucet
5142229300066	Washbasin faucet	2602FH	High washbasin faucet
1010F-102	Washbasin faucet	06092203	Washbasin faucet
54562207	Washbasin faucet	1812FG	Washbasin faucet
1510F	Washbasin faucet	1812FG-33	Washbasin faucet
1010F	Washbasin faucet	1014F	Washbasin faucet with washing machine valve
1010F-104	Washbasin faucet	52562267	Washbasin faucet
1010F-105	Washbasin faucet	52562263	Washbasin faucet
5618	Washbasin faucet	52461167	Washbasin faucet, low pressure
1810FGG	Washbasin faucet	5601B	Washbasin faucet
1810FG-33	Washbasin faucet	06131103	Washbasin faucet, low pressure
1810FG	Washbasin faucet	52542267	Washbasin faucet
01516286	Washbasin faucet	09012283	Washbasin faucet
450622830004	Washbasin faucet	52682267	Washbasin faucet
450622830005	Washbasin faucet	4806F	Washbasin faucet
450622830002	Washbasin faucet	4806F-104	Washbasin faucet
5526B	Washbasin faucet	4806F-105	Washbasin faucet
52372267	Washbasin faucet	1812G	Washbasin faucet
2605AF	Washbasin faucet	52402267	Washbasin faucet
52372263	Washbasin faucet	2606FH	Washbasin faucet
2605F	Washbasin faucet	52402263	Washbasin faucet
2611AF	Washbasin faucet	09092283	Washbasin faucet
3910F	Washbasin faucet	1002F	High washbasin faucet
1810G	Washbasin faucet	51402293	Washbasin faucet
3904F-104	Washbasin faucet	1002F-33	High washbasin faucet
4805F-105	Washbasin faucet	3904F	Washbasin faucet
4805F-104	Washbasin faucet	1510FL-105	Washbasin faucet
5791F	Washbasin faucet	2606AF	Washbasin faucet
54542207	Washbasin faucet	1814G	Washbasin faucet with washing machine valve
090522830004	Washbasin faucet	2612F	Washbasin faucet
090522830005	Washbasin faucet	49402203	Washbasin faucet
4801F	High washbasin faucet	49562203	Washbasin faucet
09052283	Washbasin faucet	3912F	Washbasin faucet
06082203	Washbasin faucet	52461163	Washbasin faucet, low pressure
5791BF	Washbasin faucet	2606FH-105	Washbasin faucet
3810F	Washbasin faucet	2605FH-105	Washbasin faucet
090522830002	Washbasin faucet	543722070005	Washbasin faucet
01092283	Washbasin faucet	45012186	Washbasin faucet
52422263	Washbasin faucet	45012185	Washbasin faucet
52422267	Washbasin faucet	01516283	Washbasin faucet
2610F	Washbasin faucet		

orasgroup



Important information
about our products

Guarantee card ♦ Zárúchni list ♦ Garantiekarte ♦ Garantibevis ♦ Garantiikaart ♦ Tarjeta de garantía ♦ Takuukortti
♦ Carte de garantie ♦ Κάρτα εγγύησης ♦ Garanciakártya ♦ Certificato di garanzia ♦ Garantinis talonas ♦
Garantijas karte ♦ Garantie kaart ♦ Garantibevis ♦ Karta gwarancyjna ♦ Certificado de Garantia ♦ Formular de
garanție ♦ Гарантийный талон ♦ Garantikort ♦ Garancijski list ♦ Zárúchny list ♦ Гарантійний талон

GB Product nr:
CZ Kód výrobku:
DE Produkt Nr.:
DK Produkt nr:
EE Toote nr:
ES Producto nº:
FI Tuotenumero:
FR Produit n°:
GR Αριθμός προϊόντος:
HU Termék kódszáma:
IT Numero articolo:
LT Gaminio kodas:
LV Produkta Nr.:
NL Product nr:
NO Produktnummer:
PL Produkt nr:
PT Referência do produto:
RO Nr. produs:
RU Номер изделия:
SE Produkt nr:
SI Šifra produkta:
SK Kód výrobku:
UA Номер продукту:

GB Date of purchase:
CZ Datum nákupu
DE Kaufdatum:
DK Dato for køb:
EE Ostukuupäev:
ES Fecha de compra:
FI Ostopäivä:
FR Date d'achat:
GR Ημερομηνία αγοράς:
HU Vásárlás dátuma:
IT Data di acquisto:
LT Pirkimo data:
LV Pirkuma datums:
NL Aankoopdatum:
NO Kjøpsdato:
PL Produkt nr:
PT Data de compra:
RO Data achiziționării:
RU Дата покупки:
SE Inköpsdatum:
SI Datum nakupa:
SK Dátum nákupu:
UA Дата покупки:

GB Dealer stamp:
CZ Razítko prodejce:
DE Händlerstempel:
DK Forhandlerstempel:
EE Müüja pitsat:
ES Sello distribuidor:
FI Myyjän leima:
FR Cachet du distributeur:
GR Σφραγίδα αντιπροσώπου:
HU Eladó bélyegzője:
IT Timbro del rivenditore:
LT Pardavėjo antspaudas:
LV Izplatītāja zīmogs:
NL Stempel verdeler:
NO Stempel fra forhandler:
PL Pieczęćka sprzedawcy:
PT Carimbo do revendedor:
RO Ștampila distribuitorului:
RU Печать продавца:
SE Återförsäljarens stämpel:
SI Žig trgovca:
SK Razítka predajcu:
UA Штамп дилера:



GB	4
CZ	5
DE	6
DK	7
EE	8
ES	9
FI	10
FR	11
GR	12
HU	13
IT	14
LT	15
LV	16
NL	17
NO	18
PL	19
PT	20
RO	21
RU	22
SE	23
SI	24
SK	25
UA	26

Oras/Hansa Warranty (valid 1.1.2012 in Europe)

All Oras/Hansa faucets and accessories are designed and manufactured according to the EN standards and flawless operation is guaranteed under appropriate conditions specified in the EN-standard. We kindly ask you to read, follow and archive instructions enclosed with the product.

Two (2) years warranty covers manufacturing and material faults according to local consumer protection law and is valid for two (2) years from day of purchase or in case there are no documentation of purchase (receipt), two (2) years from manufacturing stamp's year and month.

Five (5) years limited warranty for functional components used in private households: single lever mixer cartridge, thermostatic faucet cartridge, magnetic valve and sensor. Warranty covers material or manufacturing failures but not additional expenses. Oras/Hansa reserves the right to investigate the case.

Ten (10) years availability guarantee for functional components and spare parts of all Oras/Hansa products manufactured after 1.1.2012.

Warranty limitations

These warranty terms are given only for Oras/Hansa faucets and accessories that are equipped with original Oras/Hansa parts and maintained and used according to the use and maintenance manual. The stipulations of local authorities and legislation must be complied within installations of faucets and water fittings and in planning them.

Oras/Hansa warranty does not apply to faults caused by wrong assembly, wrong installation, wrong cleaning, misuse, lack of repairing, lack of service or of impurities in the water. Warranty does not apply to batteries in electronic faucets.

Warranty does not limit the consumer's statutory rights under applicable and mandatory national consumer protection law.

These terms and conditions have been made under and shall be governed by and construed in accordance with the laws of Finland. Further information for warranty: warranty.oras.com

Fault announcement

Warranty applies only to the faults that are announced to Oras/Hansa or the reseller within a seller in reasonable time (normally within 14 days), from discovering the fault. Procedure of repairing should be agreed on with Oras/Hansa or its representative.

Material recycling

Brass is the main material used for faucet manufacturing and is recyclable. The best way to dispose of obsolete products at the end of their lifecycle is to send them to a metal recycling site. All plastics used in Oras/Hansa faucets are thermoplastics and recyclable. All packaging materials used by Oras/Hansa are suitable for recycling. Batteries and electronic parts must not be disposed of with general waste but they must be sorted and delivered to specific collection points.

Obligation to inform according to REACH regulation: The lead content in Oras/Hansa sanitary fittings exceeds the limit of 0.1 percentage of weight in brass components. Products with brass components with lower lead content are specially marked.

Installation

To ensure the best functionality we recommend our products to be installed by a professional installer. In case of complaints please consult your installer first.

- The piping must be carefully rinsed and equipped with sufficient number of mud blockers before faucet or valve installation.
- Correct installation procedure must be followed and the equipment must be adjusted accordingly to meet conditions of usage.
- The electrical connection of mains-operated electronic faucets may only be carried out by a qualified electrician.
- Servicing and adjustment can also be carried out by a suitably qualified person e.g. someone who has completed the Electra Training School Programme.

Electronic faucets meet the requirements of the EMC Directive 2004/108/EY.

Protection according to EN 1717 and maintenance according to EN 806-5

Cleaning

Clean the faucet with a sponge or soft cloth moistened with detergent solution. Do not use a spray bottle! Rinse the faucet with plenty of plain lukewarm water. Finally wipe the faucet dry.

- External surfaces should be cleaned using neutral or slightly alkaline (pH 6-9) liquid cleaner, such as soap solution or washing-up liquid (not dishwasher powder). Always follow the detergent manufacturer's directions and dosage guidelines. Organic solvents, corrosive and/or scrubbing agents or devices must not be used.
- Warning! Chrome coating does not resist phosphoric acids and chlorine compounds. (The same applies to all plastic parts of shower fittings).
- Do not clean the faucet with a high-pressure washer.
- Aerator: Remove the aerator, clean with water, or replace with a new one.

Operating conditions

Risk of freezing

Faucets or other water fittings installed in a place where water left inside them may freeze (e.g. during the winter in unheated holiday accommodation) must be emptied or stored in a heated place for the cold period. Precautions should be taken to prevent damage caused by freezing, e.g.

Single-lever faucets: Detach the cartridge.

Automatic faucets: Detach the cartridge and empty the water from the faucet.

Two-handle faucets: Detach the head work.

Electronic faucets: Detach the solenoid valve.

Precautions must also be taken when transporting a used faucet in sub-zero temperature.

Maximum temperature

Faucets and accessories are not suitable for use in hot environment, max. +65°C. The same temperature limitation applies also to the cleaning.

3rd party accessories

Do not connect any appliance equipped with a closing device, e.g. a high pressure-/bottle washer or the garden hose with a closing device, to the faucet (e.g. to replace the aerator).

The ejector-structure must be used, when using Bidetta handshower with a trigger.

The washing machine valve must always be switched off after use. If the washing machine cannot be connected to the faucet, then the connecting pipe (G1/2) should be plugged shut.

Záruka Hansa (platná 1.1.2012 v Evropě)

Všechny baterie a příslušenství Oras jsou zkonstruovány a vyrobeny podle norem EN a bezvadně fungování je zaručeno na základě příslušných podmínek stanovených v normě EN. Dovolujeme si vás požádat, abyste si přečetli, dodržovali a uchovávali pokyny příložené k výrobku.

Záruka na dva (2) roky platí na vady provedení a materiálu v souladu s místním domácnostech: kartuše jednopákové směšovací baterie, termoelement u termostatické baterie, magnetický ventil a čidlo (senzory) u elektronických baterií. Záruka pokrývá výrobní vady a vady materiálu, nikoli však další výdaje spojené s opravou. Oras si vyhrazuje právo prošetřit daný případ.

Omezená záruka na pět (5) let na funkční díly používané v soukromých domácnostech: kartuše jednopákové směšovací baterie, termoelement u termostatické baterie, magnetický ventil a čidlo (senzory) u elektronických baterií. Záruka pokrývá výrobní vady a vady materiálu, nikoli však další výdaje spojené s opravou. Oras si vyhrazuje právo prošetřit daný případ.

Záruka dostupnosti na deset (10) let na funkční díly a náhradní díly všech výrobků Oras vyrobených po 1.1.2012.

Omezení záruky

Tyto záruční podmínky platí pouze na vodovodní baterie a příslušenství Hansa vybavené originálními díly Hansa a udržované a používané v souladu s návodem k použití a údržbě. Při instalaci baterií a vodovodních armatur a při jejich plánování musí být dodržována ustanovení místních úřadů a zákonů.

Záruka Hansa neplatí na vady způsobené nesprávnou montáží, nesprávnou instalací, nesprávným čištěním, nesprávným používáním, zanedbáváním oprav, zanedbáváním servisu nebo nečistotami ve vodě. Záruka neplatí na napájecí zdroje (monočlánky) u elektronických baterií.

Záruka neomezuje zákonná práva spotřebitele vyplývající z platného a závazného národního zákona na ochranu spotřebitelů.

Tyto podmínky byly sepsány na základě zákonů Finska a těmito zákony se řídí a musí být vykládány v souladu s nimi. Další informace o záruce: warranty.hansa.com

Oznamování vad

Záruka platí pouze na vady, které budou oznámeny společností Hansa nebo distributorovi či prodejci případně servisnímu partnerovi Hansa v přiměřené lhůtě (obvykle do 14 dnů) od zjištění vady. Postup opravy bude ujednáno se společností Hansa nebo jejím zástupcem.

Recyklace materiálu

Hlavním materiálem použitým při výrobě baterií je mosaz, která je recyklovatelná. Nejlepším způsobem likvidace zastaralých výrobků po skončení jejich životnosti je jejich zaslání na pracoviště pro recyklaci kovů. Veškeré plasty použité v bateriích Hansa jsou termoplasty, které jsou recyklovatelné. Veškeré obalové materiály používané společností Hansa jsou vhodné k recyklaci.

Napájecí zdroje (monočlánky) a elektronické díly nesmí být recyklovány společně s běžným odpadem, nýbrž musí být vyříděny a doručeny do zvláštních sběrů.

Povinnost informovat v souladu s nařízením REACH: Hlavní části sanitárních armatur Hansa obsahují v mosazných součástech více než 0,1% olova. Výrobky s odlišnými hodnotami jsou speciálně označeny.

Instalace

Abychom zajistili co nejlepší funkčnost, doporučujeme naše výrobky instalovat profesionálním montérem. V případě reklamaci se nejprve obraťte na svého technika.

- Potrubí musí být před instalací baterie nebo ventilu pečlivě vypláchnuto a vybaveno dostatečným množstvím kalových přepážek.
- Musí být dodržán správný postup instalace a zařízení musí být seřízeno tak, aby splňovalo podmínky používání.
- Elektrické připojení elektronických baterií napájených ze sítě smí být provedeno pouze kvalifikovaným elektrikářem.
- Servis a seřízení může provést rovněž dostatečně kvalifikovaný odborník, například osoba, která absolvovala program Electra Training School.

Elektronické baterie splňují požadavky směrnice EMC 2004/108/IEY.

Pro krytí dle normy EN 1717 a pro údržbu v souladu s normou EN 806-5.

Čištění

Baterii čistíte houčičkou nebo měkkým hadříkem navlhčeným v roztoku čistícího prostředku. Nepoužívejte sprej! Baterii opláchněte velkým množstvím obyčejné vlažné vody. Nakonec baterii otřete dosucha.

- Vnější povrchy čistíte neutrálním nebo mírně alkalickým (pH 6-9) tekutým čistícím prostředkem, například mýdlovým roztokem nebo tekutým prostředkem na mytí nádobí (nikoli práškem na nádobí). Vždy dodržujte pokyny výrobce čistícího prostředku a předpisy pro dávkování. Organická rozpouštědla, korozivní a nebo drsné prostředky nebo pomůcky není dovoleno používat.
- Pozor! Chromování není odolné proti kyselíně fosforečné a sloučeninám chlóru. (Totéž platí pro všechny plastové díly sprchových armatur).
- Nečistíte baterii vysokotlakým čističem.
- Perlátor: Vyjměte perlátor, omýjte vodou nebo vyměňte za nový.

Provozní podmínky

Nebezpečí zamrznutí

Baterie nebo jiné vodovodní armatury nainstalované na místě, kde by mohla voda ponechaná uvnitř zamrznout (např. v zimě v nevytápěných prázdninových zařízeních), je nutno vyprázdnit nebo uskladnit v chladném období na vytápěném místě. Proti poškození zamrznutím je třeba přijmout například tato preventivní opatření:

Jednopákové baterie: Vymontujte kartuši. Z těla baterie

Automatické baterie: Vymontujte termostatickou kartuši a vypusťte vodu z baterie

Dvoupákové baterie: Vymontujte ovládací ventily „vršky“ z těla baterie

Elektronické baterie: Vymontujte elektromagnetický (pilot)ventil

Preventivní opatření je třeba přijmout i pro přepravu použité baterie při teplotách pod nulou.

Maximální teplota

Baterie a příslušenství nejsou vhodné pro používání v horkém prostředí, max. +65°C. Stejně omezení teploty platí i pro čištění.

Příslušenství třetích stran

K baterii nepřipojujte žádný spotřebič vybavený uzavíracím zařízením, například vysokotlakou / lahovou myčku nebo zahradní hadici s uzavíracím zařízením (např. namísto perlátoru).

Při používání ruční sprchy Bidetta s uzavíracím ventilem je třeba použít konstrukci ejektoru.

Ventil myčky je třeba po každém použití uzavřít. Pokud není možné připojit myčku k baterii, musí být připojovací trubka (G1/2) na baterii zaslepena zátkou s těsněním.

Allgemeine Garantiebedingungen

(gültig ab 01. 01. 2012 in Europa)

Alle Hansa Armaturen und Zubehörteile werden in Übereinstimmung mit den EN-Normen entworfen und produziert, was einen störungsfreien Betrieb unter den Bedingungen garantiert, die in den EN-Normen aufgelistet sind. Wir bitten Sie, die dem Produkt beiliegenden Gebrauchs- und Wartungsanleitungen sorgfältig zu lesen zu befolgen und zu archivieren.

Zwei (2) Jahre Gewährleistung Für Herstellungs- und Materialfehler werden wir Sie für den Zeitraum von zwei (2) Jahren gemäß den Bestimmungen des Verbraucherschutzgesetzes entschädigen. Die Garantie gilt für zwei (2) Jahre ab dem Kaufdatum oder, wenn das Kaufdatum nicht belegt werden kann, für zwei (2) Jahre ab dem Jahr/Monat auf dem Herstelldatumstempel des Produkts.

Fünf (5) Jahre Garantie für unten angeführte Funktionsteile von allen Hansa Produkten Diese Garantie bezieht sich auf die folgenden, in Privathaushalten genutzten Funktionsteile von Armaturen: Einhebelmischerkartusche, Magnetventil, Sensor und Thermostatkartusche. Garantiedeckungen für Material- oder Herstellungsfehler, aber keine zusätzlichen Kosten. Hansa behält sich das Recht vor, den Fall zu untersuchen.

Zehn (10) Jahre Verfügbarkeitsgarantie für Funktionskomponenten und Ersatzteile aller Hansa-Produkte, die nach dem 1.1.2012 hergestellt wurden.

Garantieeinschränkungen

Diese Garantiebedingungen gelten nur für Hansa Armaturen und Zubehör, das mit Hansa Originalteilen ausgestattet ist; sie gelten auch nur, wenn ein Produkt gemäß der Gebrauchs- und Wartungsanleitungen genutzt und gewartet werden. Bei Installation von Armaturen und bei Wasseranschlüssen müssen schon ab der Planungsphase die Bestimmungen der lokalen Behörden sowie die Gesetzgebung befolgt werden.

Die oben genannten Hansa Garantien gelten nicht für Fehler, die durch falschen Aufbau, falschen Einbau, falsches Reinigen (mit kratzenden oder korrodierenden Mitteln), falschen Gebrauch, mangelnde Reparatur oder mangelnde Wartung bei verunreinigtem Wasser (Verschmutzungen, Kalk, Chemikalien usw.) verursacht wurden. Die Garantie bezieht sich nicht auf Batterien in elektronischen Armaturen.

Hansa-Produkte dürfen zur Aufrechterhaltung von Gewährleistungsansprüchen nur von einem Fachmann montiert werden. Bei Reklamationen oder unerwarteten Mängeln wenden Sie sich an Ihren Installateur.

Diese Garantiebedingungen schränken die gesetzlichen Rechte des Verbrauchers gemäß dem für sein Land maßgeblichen und rechtsverbindlichen Verbraucherschutzgesetz nicht ein. Diese Garantiebestimmungen und -bedingungen wurden nach finnischem Recht erstellt und sind demgemäß zu regeln und ausulegen. Weitere Informationen zur Gewährleistung: warranty.hansa.com

Reklamationsanzeige

Diese Garantien gelten nur für Fehler, die innerhalb eines angemessenen Zeitraums (normalerweise innerhalb von 14 Tagen nach Entdecken des Fehlers) Hansa oder dem Verkäufer mitgeteilt werden. Außerdem sollten Art und Ausführung der Reparaturarbeiten mit Hansa oder seinem Beauftragten vereinbart werden.

Materialrecycling

Das bei den Armaturen verwendete Hauptmaterial ist Messing, das selbst ein aus Recycling hervorgegangenes Material ist. Der beste Weg, nicht mehr betriebsfähige Produkte am Ende des Lebenszyklus zu entsorgen, besteht darin, sie zu einem Metallrecyclingunternehmen zu schicken. Alle Kunststoffbestandteile, die in Armaturen von Hansa verwendet werden, sind thermoplastisch und recycelbar. Alle von Oras verwendeten Verpackungsmaterialien sind recyclingfähig. Batterien und elektronische Teile dürfen nicht über den Hausmüll entsorgt werden. Sie müssen den dafür vorgesehenen Sammelstellen zugeführt werden.

Informationspflicht gemäß REACH-Verordnung: Der Bleigehalt in Hansa-Sanitärarmaturen überschreitet den Grenzwert von 0,1 Gewichtsprozentsatz in Messingbauteilen. Produkte mit Messing Bauteilen mit geringerem Bleigehalt sind besonders gekennzeichnet.

Installation

Um die bestmögliche Funktionalität zu gewährleisten, empfehlen wir, dass unsere Produkte von einem professionellen Installateur installiert werden. Bei Reklamationen wenden Sie sich bitte zuerst an Ihren Installateur.

- Vor der Installation der Armaturen müssen die Rohrleitungen mit ausreichend Wasser sorgfältig gespült werden und das Leitungssystem mit Schmutzfänger ausgestattet sein.
- Unsere Installationsanleitungen sind unbedingt Folge zu leisten und die Geräte müssen den Nutzungsbedingungen entsprechend eingestellt werden
- Der elektrische Anschluss von netzbetriebenen elektronischen Armaturendarf darf nur von einer Elektrofachkraft ausgeführt werden.
- Wartung und Einstellung können auch von einer qualifizierten Person, z.B. jemand der ein Electra Schulungsprogramm abgeschlossen hat, durchgeführt werden.

Elektronische Armaturen erfüllen die Anforderungen der EMV Richtlinie 2004/108 / EY.

Schutz nach EN 1717 und Wartung nach EN 806-5

Reinigung der Oberflächen von Armaturen und Zubehör

Für die Reinigung von der Oberflächen von Armaturen benutzen Sie bitte neutrale oder leicht alkalische (pH 6-9) Reinigungsmittel wie z.B. Seifenlaugen oder flüssige Spülmittel (kein Geschirrspülmittel). Folgen Sie immer der Anweisungen und Dosierungsrichtlinien des Reinigungsmittelherstellers. Organische Lösungsmittel oder die Oberfläche chem. oder mechanisch angreifende Mittel oder Gegenstände dürfen nicht benutzt werden.

- Warnung! Chrombeschichtung ist nicht beständig gegen Phosphorsäuren und Chlorverbindungen. (Gleiches gilt für alle Kunststoffteile von Duscharmaturen).
- Zur Reinigung der Armatur bitte keinen Hochdruckreiniger verwenden.
- Perlator: Entfernen Sie den Perlator, reinigen Sie ihn mit Wasser oder tauschen Sie ihn durch einen neuen Perlator aus.

Betriebsbedingung

Frostgefahr

Armaturen oder wasserführende Teile, die an Stellen mit Frostgefahr montiert sind (z. B. im Winter in unbeheizten Ferienunterkünften), müssen entleert oder in beheizten Räumen aufbewahrt werden. Eine Reihe Vorsorgemaßnahmen müssen getroffen werden, um Beschädigungen durch Frost zu vermeiden:

- Einhebelmischer: Ausbau der Kartusche
- Thermostate: Ausbau der Regeleinheit und Entleerung der Armatur
- Zwei-Griff- Armaturen: Ausbau der Innenoberteile

Elektronische Armaturen: Magnetventil ausbauen

Bitte beachten! Vorsorgemaßnahmen müssen auch bei Transporten unter null Grad getroffen werden.

Maximale Temperatur

Armaturen und Zubehör sind für den Gebrauch in heißer Umgebung geeignet, max. +65°C. Die gleiche Temperaturbegrenzung betrifft auch die Reinigung der Armaturen.

Zubehör von Drittanbietern

Schließen Sie keine externen Geräte mit Absperrfunktion (z.B. anstelle des Luftpulvers Flaschenreiniger, Gartenschlauch o.a.) an die Armatur an.

Bei Verwendung einer Bidetta Handbrause mit Druckschalter muß das Ejektorprinzip angewendet werden.

Das Waschmaschinenventil muss nach Gebrauch immer geschlossen werden. Kann die Waschmaschine nicht in den Wasserhahn angeschlossen werden, so muss das Anschlussrohr (G1/2) zugestöpselt werden.

Oras Garanti (gældende fra 1.1.2012 i Europa)

Alle Oras armaturer og tilbehør er designet og fremstillet i henhold til EN standarderne. Fejlfri funktion er garanteret under passende forhold. Oras er specificeret i EN standarderne. Vi beder dig læse, følge og gemme instruktionerne, der følger med produktet.

To (2) års garanti dækker produktions- og materialefejl i henhold til købeloven og er gyldig i to (2) år fra købsdatoen. Hvis købsfaktura ikke findes, bruges produktionsstempelen på produktet, som angiver år og måned for fremstilling.

Fem (5) års begrænset garanti på funktionsdele i private hjem: unit i ét-grebsarmaturer, termostatedel, magnetventil samt sensor. Garantien dækker produktions- og materialefejl i reservedelen, men ikke udskiftning af delen. Oras forbeholder sig retten til, at undersøge om reklamationen er omfattet af garantien.

Ti (10) års leveringsgaranti på reservedele til alle Oras produkter produceret efter 1.1.2012.

Begrænsninger i garantien

Disse garantivilkår gælder kun for Oras armaturer og tilbehør, der er udstyret med originale Oras dele og som serviceres i henhold til vedligeholdelsesvejledningen. Bygningsreglementet skal overholdes i forbindelse med installationen af armaturerne.

Garantien er ikke gældende ved armaturer der samles forkert, fejlagtig installation, forkert rengøring, misbrug, mangel på reparation og vedligeholdelse ved fremmedlegemer i vandtilførslen. Garantien omfatter ikke batterier i elektroniske armaturer.

For mere information om garanti: warranty.oras.com

Anmeldelse af reklamation

Garantien omfatter kun fejl som køberen anmelder garantigiveren eller sælgeren inden for rimelig tid (normalt indenfor 14 dage) efter at fejlen er konstateret*.

Udbedring af fejl skal aftales med Oras inden udførelsen.

*Garantien omfatter derfor ikke eventuelle følgeskader.

Genanvendelse af materialer

Messing, som er hovedbestanddelen i armaturer, er i sig selv et genanvendeligt materiale. Den bedste måde at skaffe sig af med armaturer efter endt levetid er, at aflevere dem på genbrugsstationen. Alt plastik anvendt i Oras armaturer er termoplast og er derfor genanvendeligt. Al emballage fra Oras genanvendeligt. Batterier og elektroniske dele skal afleveres på genbrugsstationen.

Forpligtelse til at oplyse i henhold til REACH forordningen: Blyandelen i Oras sanitetsarmaturer er mere end 0,1% i messingkomponenter. Afvigende produkter er specielt mærket.

Installation

For at sikre den bedste funktionalitet anbefaler vi, at vores produkter installeres af en professionel VVS-installatør. I tilfælde af klager bedes du først kontakte din VVS-installatør.

- Vandfør skal skylles ud og tilslutningen skal udstyres med smudsfilter inden, at armaturet/ tilbehør tilsluttes.
- Korrekt installation er yderst vigtigt for at sikre, at armaturer og tilbehør fungerer optimalt.
- Tilslutning af armaturer med fast strømtilslutning er omfattet af loven om elinstallationer.
- Service og justeringer kan udføres af en vvs installatør eller en anden person, som har gennemgået undervisning af Oras armaturer.

Elektroniske armaturer overholder kravene i EMC direktiv 2004/108/EY.

Beskyttelse i henhold til EN 1717 og vedligeholdelse i henhold til EN 806-5

Rengøring

Rengør armaturet med en blød svamp eller klud, som er opvredet i mild, neutral sæbevand. Brug ikke en sprayflaske til, at påføre rengøringsmiddel på armaturet. Rens armaturet af med lunket, rent vand og tør til sidst armaturet af med en ren, tør klud.

- Udvendig rengøring skal foretages med neutral eller mildt alkalisk (pH 6-9) flydende rengøringsmiddel, f.eks. sæbeopløsninger eller flydende opvaskemiddel (ikke opvaskepulver til opvaskemaskinen). Følg altid producenten anvisning om dosering. Organiske opløsningsmidler, ætsende eller slibende midler må ikke anvendes.
- Advarsel! Krombelægninger tåler ikke fosforholdige blandinger og klor (det samme gælder for alle plastikdele i bruserudstyr).
- Rengør ikke armaturet med højtryksspuler
- Perlator: Skru perlatoren ud og rens den med rent vand, eller udskift den med en ny.

Brugskonditioner

Risiko for frost

Armaturer og vandførende tilbehør installeret på steder, hvor der er risiko for frost (f.eks. fritidshuse uden opvarmning) skal tømmes eller opbevares på et frostfrit sted i perioden, hvor der er risiko for frost. Disse forholdsregler bør tages:

<i>Etgrebsarmaturer:</i>	Afmonter unit
<i>Automatiske armaturer:</i>	Afmonter unit og tøm armaturet for vand
<i>Togrebsarmaturer:</i>	Afmonter spindler
<i>Berøringsfri armaturer:</i>	Afmonter magnetventilsen

Der bør ligeledes udvises forsigtighed, når der transporteres armaturer i servicebiler og temperaturen nærmer sig frysepunktet.

Maksimal temperatur

Armaturer og tilbehør er ikke egnet til brug i varme miljøer, max. +65°C. Samme temperatur er gældende ved rengøring.

Tredjeparts tilbehør

Der må ikke tilsluttes noget til armaturenes udløb f.eks. en højtryksrensers eller tilbehør med afspæringsfunktion.

Ejektorstuktur skal anvendes ved brug af Bidetta håndbruseren.

Afspæringsventilen til opvaskemaskinen skal altid afbrydes efter brug. Hvis maskinen ikke kan tilsluttes ventilen, skal tilslutningen (G1/2) blændes af.

Oras Garantii üldtingimused (kehtivad alates 1.1.2012 Euroopas)

Kõik Oras segistid ja tarvikud on kujundatud ja toodetud vastavalt EN standarditele ning sellega on tagatud nende tõrgeteta toimimine EN standardi nõuetes määratletud tingimustel.

Palume Teil tähelepanelikult tutvuda ja järgida tootega kaasasolevat kasutus- ja hooldusjuhendit.

Kaheaastane (2) garantii vastavalt tarbijakaitse reeglitele hüvitab Oras kõik tootmisest ja materjalidest tingitud vead kahe (2) aasta jooksul alates ostukuupäevast. Kaheaastase (2) garantii kehtivuse aluseks on toote ostudokumendi olev kuupäev. Ostudokumendi puudumisel loeme garantii alguseks toote tehase märkimisega märgitud valmistamisega (aasta/kuu).

Vieaastane (5) garantii kehtib järgmistele kodukasutuses olevate segistite toimeosadele: kangsegisti seadeosa, magnetventiil, sensor, termostaat.

Kümneaastane (10) saadavuse garantii kehtib kõigile peale 1.1.2012 toodetud Oras segistite toime- ja varuosadele.

Garantii piirangud

Käesolevad garantiitingimused kehtivad vaid Oras segistitele, millel on originaalosaad ning mida on kasutatud ja hooldatud vastavalt kasutus- ja hooldusjuhendile. Segistite paigaldamisel peab olema järgitud kõiki kohalikke segistite ja veesüsteemide paigaldamist ja projekteerimist käsitlevaid seadusandlikke ja korralduslikke õigusakte.

Ülaltoodud Oras garantiid ei kehti vigadele, mis on põhjustatud vales kokkupanekust või paigaldamisest, puhastamisest (abrasivsete või söövitavate ainete kasutamisest), ebaõigest kasutamisest või vee ebapuhtusest (setted, kattakivi, kemikaalid) tingitud remondi- ja hooldusvajaduse eiramisest. Garantii ei kehti elektrooniliste segistite patareidele.

Käesolevad garantiid ei piira kohaliku tarbijakaitsealase seadusandluse alusel tagatud tarbijate õigusi.

Käesolevad garantiitingimused on koostatud Soomes vastavat valdkonda reguleeriva seadusandluse mõistetest ja tõlgendustest lähtuvalt.

Täiendavat infot garantiitingimuste kohta leiate warranty.oras.com

Vigadest teavitamine

Käesolevad garantiid kehtivad vaid vigadele, millest on Oras toodete müüjale teatatud mõistliku aja jooksul alates vee ilmumisest (tavajuhul 14 päeva jooksul). Samaaegselt peab klient täpsustama toote ostukuupäeva ning seejärel lepitakse Orase esindajaga kokku vee kõrvaldamise aeg ja viis.

Materjalide taaskasutamine

Segistite korpused valmistatakse peamiselt messingist, mis on taaskasutusõhlik materjal. Parim viis kasutusest kõrvaldatud toodete hävitamiseks, on viia need vanametalli vastuvõtupunkti. Oras toodetes kasutatav plast on samuti taaskasutatav materjal. Patareidid ja elektroonilisi osi ei soovitata me visata olmeprügi hulka, vaid need tuleb koguda kokku ning viia ohtlike jäätmete kogumispunkti. Kõik Orase poolt kasutatavad pakematerjalid on samuti taaskasutatavad.

Teavituskohustus vastavalt REACH regulatsioonile: Oras sanitaartehtnikatoodete messingist komponentide pliiisihaldus on suurem kui 0,1%. Kõrvalekaldega tooted on spetsiaalselt märgistatud.

Paigaldamine

Meie toodete parima toimimise tagamiseks soovime paigaldamise usaldada professionaalile. Võimalike probleemide korral, palume esmalt pidada nõu paigaldajaga.

- Enne segisti või ventiili paigaldamist tuleb torustik hoolikalt loputada ning paigaldada prügipüüdurid.
- Paigaldamisel tuleb täpselt järgida juhendit ning toote vastavust kasutuskoha tingimustele.
- Võrgutoiteliste segistite elektrihühendused peab teostama vaid ala asjatundja.
- Hooldus ja seadistused võivad teostada asjatundjad, nt. Oras Electra segistikoolituse läbinud.

Elektroonilised segistid vastavad direktiivi EMC Directive 2004/108/EY nõuetele.

Vee saastumise kaitse vastavalt direktiivile EN1717 ja hooldamine vastavalt direktiivile EN 806-5

Puhastamine

Puhastage segisti puhastusaine lahusega niisutatud pehme käsna või lapiga. Ärge puhastage puhastusainet segistile! Loputage segisti rohke leige veega ja kuivatage.

- Välispindade puhastamisel võib kasutada vaid netutraalseid või nõrgalt leeliselisi (pH 6-9) puhastusaineid. Näiteks seep, nõudepesuvahendid jne. (mitte nõudepesumassina pulber). Jälgige hoolikalt puhastusainete valmistaja kasutus- ja doseerimisjuhiseid. Orgaanilisi lahuseid, korrodeerivaid ja/või abrasivseid pesuaineid või vahendeid ei ole lubatud kasutada.
- Hoiatus! Kroompinnad ei talu fosforhappe ja klooriühendeid. Sama kehtib ka kõigi dušikomplektide plastikosade kohta.
- Ärge peske segistide survepesuga.
- Õhusti puhastamiseks eemaldage õhusti, loputage veega, vajadusel asendage uuega.

Kasutustingimused

Külmumise oht

Juhul, kui segisti on paigaldatud ruumidesse, kus segisti sisse jäänud vesi võib jääda (nt. kütteta suvilad), tuleb segisti tühjendada veest või hoida maha võetud segisti soojas ruumis.

Külmumiskahjustuste ärahoidmiseks tuleb:

Kangsegistid: eemalda seadeosa

Termostaatsegistid: eemalda seadeosa ja tühjenda segisti veest

Kahe nupuga segistid: eemalda kasutusventiil.

Kontaktivabad segistid: eemalda magnetventiil

NBI Kasutusel olnud segistit tuleb kaitsta külmakahjustuste eest ka miinuskraadidel transportimisel.

Maksimaalne temperatuur

Segistid ega tarvikud ei talu kõrgemat ümbritsevat temperatuuri, kui +65°C. Sama piirang kehtib puhastusainetele.

Lisaseadmed

Segistiga on keelatud ühendada (näiteks õhusti asemel) sulgseadmeid (pesund, sulgkraaniga aiavoolikut jne). Dušivoolik ei ole mõeldud kasutamiseks survevoolikutuna.

Suluga Bidetta käsidušši ja käsiharja on lubatud kasutada vaid koos spetsiaalselt (joasuunajaga) segistiga.

Pesumasinaventiil tuleb sulgeda peale iga kasutuskorda. Kui pesumasinat ei ühendata segisti pesumasinaventiiliga, tuleb ühendustoru (G1/2) sulgeda korgiga.

Garantía Hansa (Válida desde 1.1.2012 en Europa)

Todos los accesorios y grifos Hansa están diseñados y fabricados según las normas EN y todas las operaciones con los mismos son garantizadas según condiciones especificadas en las normas EN. Por favor lea atentamente las instrucciones de empleo, cuidado y mantenimiento que se adjuntan con el producto.

Garantía de dos (2) años La garantía es válida durante dos (2) años a partir del día de la adquisición o en el caso que no haya ninguna documentación de compra, dos (2) años a partir del año/mes sobre el sello de la fabricación del grifo (el año/mes de sello + dos años).

Garantía de cinco (5) años para todos los componentes funcionales de los productos Hansa mencionados a continuación: cartuchos de los monomandos, electroválvulas, sensores y cartuchos termostáticos. Hansa se reserva los derechos investigación en cada caso.

Garantía de disponibilidad de diez (10) años para componentes funcionales y piezas de recambio de todos los productos Hansa. La garantía de disponibilidad es válida para productos fabricados después del 1.1.2012.

Limitaciones de la garantía.

Estas condiciones de garantía son sólo para griferías Hansa y accesorios equipados con partes originales Hansa y mantenidas y usadas según el manual de mantenimiento y de empleo. Las normativas de autoridades y sus legislaciones deben ser cumplidas en las instalaciones de griferías y accesorios de agua y en sus planificaciones.

La comentada garantía de Hansa no se aplica a defectos causados por el montaje inadecuado, la instalación incorrecta, la limpieza inadecuada (la limpieza con productos corrosivos), mal uso, falta de mantenimiento o falta de servicio en caso de la impureza del agua (la arena, la cal, productos químicos, etc.). La garantía no se aplica a las pilas en grifos electrónicos.

Estas garantías no limitan los derechos estatutarios del consumidor conforme a la ley de protección al consumidor aplicable y obligatoria nacional.

Estos términos de garantía y condiciones han sido hechos y serán gobernados e interpretados conforme a las leyes de Finlandia. Para más información adicional o en caso de preguntas sobre las garantías de Hansa, por favor, póngase en contacto con su distribuidor Hansa.

Comunicación del defecto

Estas garantías se aplican sólo a los defectos que son comunicados a Hansa o al comercial en el tiempo razonable (normalmente dentro de los 14 días), de descubrir el defecto. Al mismo tiempo el cliente debería indicar cuando el producto ha sido comprado. Además, deberían ponerse de acuerdo con Hansa y/o su representante en el modo de reparar y quien lo hará.

Reciclaje de materiales

El principal material utilizado en las griferías es el latón, material reciclable. La mejor manera de deshacerse de este tipo de producto obsoleto al final de su ciclo de vida, es enviarlo a un centro de reciclaje de metales. Todos los plásticos utilizados en los grifos Hansa son termoplásticos y por lo tanto reciclables. Todos los materiales de embalaje utilizados por Hansa son reciclables. Las baterías y los componentes electrónicos no se deben tirar a la basura. Deben ser ordenados y entregados a los puntos de recogida específicos.

Obligación de informar de acuerdo con la regulación REACH: El porcentaje de plomo en las griferías de Hansa es más del 0.1% en componentes de latón. Los productos que se desvían de este porcentaje están especialmente marcados.

Instalación

Para garantizar el correcto funcionamiento le recomendamos que nuestros productos sean instalados por un profesional. En caso de reclamaciones, por favor consulte primero a su instalador.

- La tubería debe ser aclarada con agua para quitar la arena, etc antes de instalar la grifería y las válvulas.
- La correcta instalación es particularmente importante para una adecuada operación de la grifería y las válvulas
- La conexión eléctrica de grifos conectados a red eléctrica debe ser únicamente realizada por un electricista cualificado.
- Los servicios de revisión y de ajuste pueden también ser realizados por una persona adecuadamente cualificada, por ejemplo, alguien que haya terminado el programa de formación eléctrico en la escuela.

Los grifos electrónicos siguen la normativa de la Directiva EMC 2004/108/EY.

Deben seguirse las reglas técnicas reconocidas. (por ejemplo, Protección según la norma EN 1717 y EN 806-5 mantenimiento después)

Limpieza de las superficies externas del grifo.

Mantenga el sensor del grifo electrónico limpio para que funcione sin problemas.

- Para la limpieza regular de la superficie externa del grifo se debería usar un limpiador líquido alcalino (pH 6-9) neutro y ligero, como por ejemplo una solución jabonosa, pero no la de lavaplatos en polvo. (Siempre siga las indicaciones del fabricante de detergente y las directrices de dosificación). Los disolventes orgánicos, corrosivos y/o detergentes agresivos para fregar no se deben usar.
- **ADVERTENCIA!** La capa de cromo no resiste los ácidos fosfóricos y los compuestos de cloro. (Lo mismo se aplica a las piezas plásticas de los accesorios de la ducha)
- **¡Nota!** Los limpiadores que contienen alcohol no son indicados para limpiar las superficies acrílicas.
- No limpie el grifo con un limpiador a alta presión.
- **Limpieza del aireador:** Quitar el aireador, limpiarlo con agua o bien reemplazarlo por uno nuevo.

Condiciones de operación

Riesgo de Congelación

Los grifos u otra clase de accesorios de agua instalados en un sitio donde el agua permanece dentro de ellos podrían congelarse deben de ser vaciados o almacenados en lugares cálidos durante el periodo de frío. Se deberán tomar precauciones para prevenir los daños causados por la congelación:

- Grifos de palanca:* Separe el cartucho
- Griferías automáticas:* Separe el cartucho y vacíe de agua el grifo
- Grifos de dos palancas:* Separe el cabezal
- Griferías electrónicas:* Separe la electro-válvula

Estas precauciones también deben tomarse cuando el transporte de un grifo usado tenga lugar a temperaturas bajo cero.

Temperatura máxima

Los grifos y accesorios no están indicados para el empleo en ambientes calurosos, máximo +65°C. La misma limitación de temperatura se refiere también a la limpieza.

Accesorios de terceros

No conecte ningún aparato equipado con un dispositivo de cierre (por ejemplo una lavadora de alta presión / botella o la manguera de jardín con un dispositivo de cierre, al grifo (por ejemplo, para reemplazar el aireador)

La estructura eyectora debe usarse cuando se usa la ducha manual Bidetta con un gatillo.

La válvula de la lavadora debe de estar siempre desenchufada después de su uso. Si no es posible conectar la lavadora al grifo, el tubo de conexión (G1/2) debería estar conectado permanentemente.

Oras-takuu (voimassa Euroopassa 1.1.2012 alkaen)

Kaikki Oras-hanat ja oheistuotteet on suunniteltu ja valmistettu EN-standardien mukaisesti ja niiden moitteeton toimivuus on taattu EN-standardin mukaisissa olosuhteissa. Pyydämme teitä lukemaan, noudattamaan ja säilyttämään tuotepakkauksen mukana toimitettuja ohjeita.

Kahden (2) vuoden takuu kattaa valmistus- ja materiaalivirheet paikallisen kuluttajansuojalain mukaisesti ja on voimassa kaksi (2) vuotta ostopäivästä tai jos ostosta ei ole dokumentointia (kuitti), kaksi (2) vuotta hanan valmistusleiman vuodesta ja kuukaudesta.

Viiden (5) vuoden rajoitettu toimivuustakuu yksityisissä kotitalouksissa käytetyille seuraaville toiminnallisille komponenteille: vipu- ja termostaattihanan säätöosa, magneettiventili sekä sensori. Takuu kattaa komponenttien materiaali- tai valmistusvirheet, mutta ei muita kustannuksia.

Kymmenen (10) vuoden saatavuustakuu toiminnallisille komponenteille sekä kaikkien Oras-tuotteiden varaosille.

Takuun rajoitukset

Nämä takuehdot myönnetään ainoastaan Oras-hanoille ja lisäosille, jotka on varustettu alkuperäisillä Oras-osilla ja joita on huollettu ja käytetty tuotteen huolto- ja käyttöohjeessa annettujen ohjeiden mukaisesti. Hanojen asennuksessa ja LVI-töiden suunnittelussa on noudatettava paikallisten viranomaisten ohjeita, säädöksiä sekä lakia.

Oras-takuut eivät koske virheitä, jotka johtuvat tuotteen virheellisestä kokoonpanosta, vääränlaisesta asennuksesta, vääränlaisesta puhdistuksesta, väärinkäytöstä, korjauksen tai huollon laiminlyönnistä eikä veden epäpuhtaudesta. Takuu ei korvaa elektronisten hanojen paristoja.

Tämä takuu ei rajoita kuluttajan oikeuksia, eikä pakottavan, kuluttajan kannalta mahdollisesti laajemman kansallisen kuluttajansuojalain turvaa.

Lisätietoja takuehdoista: warranty.oras.com

Ilmoitus tuotevirheistä

Nämä takuehdot koskevat virheitä, joista on ilmoitettu Orakselle tai myyjälle kohtuullisen ajan sisällä (normaalisti 14 päivän sisällä) virheen havaitsemisesta. Tuotevirheen korjaustapa ja korjaaja on erikseen sovittava Oraksen tai sen valtuuttaman edustajan kanssa.

Materiaalin kierrätys

Hanojen valmistamiseen käytetään pääasiassa messinkiä, joka itsessään on kierrätyskelpoista. Paras tapa hävittää käytöstä poistuneita tuotteita on toimittaa ne metallinkierrätyspisteeseen. Oras-tuotteissa käytetty muovi on lämpönmuovautavaa, joten se sopii kierrätettäväksi. Paristoja ja elektronisia osia ei saa laittaa tavanomaisen jätteen joukkoon, vaan ne tulee ottaa erikseen ja toimittaa niille tarkoitettuihin keräyspisteisiin.

Tiedonantovaatimus REACH-lainsäädännön mukaisesti: liiyytöisyys Oras-vesikalusteiden osalta ylittää 0.1 painoprosentin rajan messinkikomponentissa. Tuotteet, joiden messinkikomponenttien liiyytöisyys on alhaisempi, on erikseen merkitty.

Asennus

Parhaan toiminnallisuuden takaamiseksi, suosittelemme, että tuotteen asentaa ammattilainen. Ongelmatilanteissa käänny ensimmäisenä asentajan puoleen.

- Putkisto on huuhdeltava huolellisesti ennen hanojen ja venttiilien asennusta ja varustettava tarpeellisella määrällä mudanerottimia.
- Oikeaan asennustapaan tulee kiinnittää erityistä huomiota ja tarvittaessa säätää laitteen toimintaa vastaamaan käyttöpaikan tarpeita ja olosuhteita.
- Verkkokäyttöisten elektronisten hanojen sähköliittännän saa suorittaa vain sähköalan ammattilainen.
- Huolto- ja säätötöet saa tehdä myös tehtävään opastettu, esim. Electra-opiston suositannut henkilö.

Elektroniset hanat täyttävät EMC-direktiivin 2004/108/EY vaatimukset.

Suojagen EN 1717 mukaan ja huolto EN 806-5 mukaan.

Puhdistus

Puhdista hana pesuaineliuokseen kostutetulla sienellä tai pehmeällä keittiöllinalla. Huom! Älä käytä sumutinpullolla! Huuhtelee hana runsaalla puhtaalla, haalealla vedellä. Pyyhi lopuksi hana kuivaksi.

- Ulkopintojen puhdistukseen tulee käyttää neutraaleja tai lievästi emäksisiä (pH 6 - 9) nestemäisiä puhdistusaineita. Tällaisia ovat mm. saippualluokset ja useat astianpesuaineet (ei konepesuaineet). Noudata aina pesuaineen valmistajan käyttö- ja annosteluohjeita. Orgaanisia liuottimia, syövyttäviä ja/tai hankaavia aineita tai puhdistusvälineitä ei saa käyttää.
- Varoitus! Kromipinnoite ei kestä, tai kestävä huonosti, fosforihappoa ja klooriyhdisteitä. Sama koskee myös suihkuvälineiden muoviosia.
- Puhdistaminen painepesurilla on kielletty.
- Poresuutin: Irrota poresuutin, puhdista vedellä tai vaihda uuteen.

Käyttöolosuhteet

Jäätymisvaara

Mikäli hana tai hanavarusteet asennetaan tiloihin, joissa niiden sisälle jäävä vesi voi päästä jäätymään (esim. talvella lämmittämättömissä vapaa-ajan asunnoissa), on ehdottomasti huolehdittava, että hana/hanavarusteet tulevat tyhjäksi vedestä tai ne on varastoitava lämpimään kylmän ajanjakson ajaksi. Jäätymisvaurioiden estämiseksi on suoritettava erilaisia suojatoimenpiteitä. esim.

Vipuhanat: Irrota säätöosa.

Automaattihanat: Irrota säätöosa ja tyhjennä hana vedestä.

Kaksiolehanat: Irrota käyttöventtiilit.

Elektroniset hanat: Irrota magneettiventili.

Suojatoimenpiteet on tehtävä myös, jos käytössä ollut hanaa kuljetaan kylmässä, lämpötilan ollessa alle 0 °C.

Maksimilämpötila

Hanojen ja hanavarusteiden käyttöympäristön lämpötila ei saa ylittää +65 °C, sama lämpötilarajoitus koskee myös hanojen ja hanavarusteiden puhdistusta.

Kolmannen osapuolen lisälaitteet

Hanaan (esim. poresuuttimen tilalle) ei saa liittää minkäänlaista sulullista laitetta, esim. paine-/pullopesuria tai suljettavaa puutarhaletkua.

Sulullista Bidetta-käsisuihkuä käytettäessä pitää käyttää ejektorirakennetta.

Pesukoneventili on suljettava aina käytön jälkeen. Mikäli hanaan ei kytketä pesukonetta, pitää hanan pesukoneen liitäntäputki (G1/2) tulputa.

Conditions générales de garantie Hansa (à partir du 1.1.2012 en Europe)

Toutes les robinetteries et accessoires Hansa sont conçus et fabriqués selon les normes EN et un fonctionnement sans défaut de fabrication est garanti dans des conditions d'utilisation normales spécifiées dans les standards EN. Nous vous demandons de prendre connaissance, de suivre et de conserver les notices d'utilisation et de montage jointes avec ce produit.

Deux (2) ans de garantie

Ces conditions de garantie concernent les mitigeurs Hansa équipés des pièces d'origine Hansa. Les robinetteries doivent être installées par des professionnels qualifiés, conformément aux règles de l'art et à nos instructions de montage, aux normes et aux DTU en vigueur.

Durée de la garantie

a) 2 ans à compter de la date d'achat ou de la date de mise en service. Facture de l'installateur faisant foi.

b) 2 ans à compter de la date de fabrication (tampon du fabricant)

Ne sont pas garantis les pièces défectueuses suite aux usures normales, aux défauts d'installation et à la mauvaise utilisation. La garantie s'applique aux défauts de fabrication et de matières premières.

Cinq (5) ans de garantie pour les composants utilisés dans un cadre privé:

Cartouches des mitigeurs à levier, cartouches thermostatiques, électrovannes, cellules de détection.

a) 5 ans à compter de la date d'achat ou de la date de mise en service. Facture de l'installateur faisant foi.

b) 5 ans à compter de la date de fabrication (tampon du fabricant)

Après expertise Hansa procédera soit à la réparation soit au remplacement du défectueux.

Dix (10) ans de disponibilité pour les pièces détachées Hansa

Hansa garantit la disponibilité des pièces détachées fonctionnelles pour une durée de 10 ans pour les produits fabriqués après le 1.1.2012.

Limite de la garantie

Hansa ne garantit que les robinetteries d'origine Hansa. Toute modification sur la robinetterie d'origine annulera la garantie. La garantie ne s'applique pas aux défauts de montage, de nettoyage (agent corrosif...), de chocs, de gel, ni en présence de calcaire ou d'impuretés. Il n'y a pas de garantie sur les piles des appareils électroniques.

Pour tout autre cas, se référer au droit local du consommateur.

Procédure

La garantie s'applique dès que le défaut est porté à la connaissance de la société Hansa ou de son revendeur en temps raisonnable 14 jours environ. Le client doit être capable de prouver la date d'achat de sa robinetterie. En outre, la société Hansa, ou son représentant, se mettra d'accord avec le client sur la manière dont sa robinetterie sera réparée.

Recyclage du matériel

Le laiton est la matière la plus utilisée pour la fabrication des robinets. Il est entièrement recyclable. Les matériaux qui ne sont plus utilisables, sont envoyés à des sociétés spécialisées. Les matières plastiques sont toutes recyclables. Les emballages sont tous recyclables. Les piles et les composants électroniques sont à adresser à une société spécialisée dans le traitement des matériaux.

Obligation d'informer conformément à la réglementation REACH: La part de plomb dans les raccords sanitaires Hansa est supérieure à 0,1% dans les composants en laiton. Les produits différents sont spécialement marqués

Généralités

Pour garantir le meilleur fonctionnement possible, nous recommandons l'installation de nos produits par un installateur professionnel. En cas de réclamations, veuillez d'abord consulter votre installateur.

- Avant l'installation de la robinetterie, il faut fixer des filtres sur les arrivées d'eau, pour empêcher les impuretés de remonter. Les conduites d'eau doivent être minutieusement purgées et équipées de suffisamment de filtres avant l'installation de la robinetterie.
- Une installation correcte est primordiale afin d'assurer un fonctionnement optimal
- Le temps passé pour la réparation sera raccourci si les robinets électroniques sont équipés de robinets d'arrêt Hansa. La maintenance de ces robinets doit être effectuée par des personnes ayant suivi une formation électronique chez Hansa.

La robinetterie électronique est conforme aux normes européennes 2004/108/CE

Protection selon EN 1717 et maintenance selon EN 806-5

Nettoyage

Utiliser un chiffon légèrement humide. Pas de spray! Rincer à l'eau tiède. Sécher avec un chiffon ou peau de chamois

- Pour le nettoyage proprement dit, il suffit d'utiliser un savon liquide (pH neutre) ou un produit dilué (pH 6-9). Les surfaces extérieures de la robinetterie doivent être nettoyées à l'aide d'un liquide neutre ou légèrement alcalin (pH 6-9) comme une solution savonneuse ou une solution lavante (ne pas utiliser de la poudre pour lave-vaisselle). Veillez à bien respecter les instructions d'utilisation et de dosage du fabricant de la solution utilisée. N'utilisez jamais de produits abrasifs, caustiques, agressifs, de nettoyeurs organiques ou d'acides minéraux qui détériorent la surface traitée.
- Attention ! Les revêtements en chrome ne résistent ni aux acides phosphoriques ni aux composés chlorés (cela s'applique également aux éléments plastiques de nos robinetteries).
- Ne pas nettoyer à haute pression.
- Nettoyage du mousseur: enlever le mousseur, le nettoyer sous l'eau, ou le remplacer par un nouveau.

Conseils d'entretien

Risque de gel

S'il y a un risque de gel, il faut vider les robinetteries de toute eau. Quelques précautions vous aideront:

<i>Mitigeurs:</i>	démonter la cartouche.
<i>Thermostatiques:</i>	démonter l'élément thermostatique et vider l'eau.
<i>Mélangeurs:</i>	démonter les têtes.
<i>Mitigeurs électroniques:</i>	démonter l'électrovanne.

Ces précautions doivent également être prises lors de transports sous 0°.

Température maximale

Robinettes et accessoires ne sont pas prévus pour les endroits trop chauds, maxi. +65°C la même limitation de température concerne le nettoyage.

3e partie : accessoires

Ne pas ajouter d'appareils avec une fonction d'arrêt (comme à la place du mousseur un flexible pour jardin, etc...) au robinet. Ceci pourrait créer des problèmes de pression dans la robinetterie, et détruire le mécanisme d'ouverture/fermeture ou abîmer le bec. Il y a également un risque de passage d'eau chaude dans l'eau froide.

Lors de l'utilisation de la douchette Bidetta, il faut mettre l'éjecteur.

Le robinet d'arrêt du lave-vaisselle ou lave-linge doit toujours être fermé après utilisation. S'il n'est pas possible de raccorder le lave-linge au robinet, la fixation du tuyau de raccordement (G1/2) doit être permanente.

Εγγύηση Hansa (ισχύει από 1.1.2012 στην Ευρώπη)

Όλες οι μπαταρίες και τα εξαρτήματα της Hansa σχεδιάζονται και κατασκευάζονται σύμφωνα με τα πρότυπα EN και η απρόσκοπτη λειτουργία τους είναι εγγυημένη υπό τις κατάλληλες συνθήκες που καθορίζονται στο πρότυπο EN. Παρακαλούμε να διαβάσετε, να τηρήσετε και να αρχειοθετήσετε τις οδηγίες που παρέχονται μαζί με το προϊόν.

Η εγγύηση δύο (2) ετών καλύπτει ελαττώματα κατασκευής και υλικού σύμφωνα με την εγγύηση νομοθεσία για την προστασία των καταναλωτών και ισχύει για δύο (2) έτη από την ημέρα της αγοράς ή, σε περίπτωση που δεν υπάρχει τεκμηρίωση της αγοράς (απόδειξη), δύο (2) έτη από το έτος και τον μήνα που αναφέρεται στην σφραγίδα κατασκευής.

Πέντε (5) έτη περιορισμένη εγγύηση για λειτουργικά εξαρτήματα που χρησιμοποιούνται σε ιδιωτικά νοικοκυριά: Φυσίγιο μείκτη μονού μοχλού, φυσίγιο θερμοστατικής μπαταρίας, μαγνητική βαλβίδα και αισθητήρας. Η εγγύηση καλύπτει ελαττώματα κατασκευής ή υλικού, αλλά όχι πρόσθετες δαπάνες. Η Hansa διατηρεί το δικαίωμα έρευνας της εκάστοτε περίπτωσης.

Δέκα (10) χρόνια εγγύηση για τη διαθεσιμότητα λειτουργικών εξαρτημάτων και ανταλλακτικών για όλα τα προϊόντα της Hansa που έχουν κατασκευαστεί μετά την 1.1.2012.

Περιορισμοί εγγύησης

Αυτοί οι όροι εγγύησης ισχύουν μόνο για μπαταρίες και εξαρτήματα της Hansa που διαθέτουν γνήσια εξαρτήματα της Hansa και συντηρούνται και χρησιμοποιούνται σύμφωνα με το εγχειρίδιο χρήσης και συντήρησης. Η εγκατάσταση και ο σχεδιασμός των μπαταριών και των εξαρτημάτων νερού πρέπει να συμμορφώνονται με τους όρους των τοπικών αρχών και της νομοθεσίας.

Η εγγύηση της Oras δεν ισχύει για σφάλματα που οφείλονται σε λανθασμένη συναρμολόγηση, εσφαλμένη εγκατάσταση, ακατάλληλο καθαρισμό, κακή χρήση, ελλιπή επισκευή, ελλείψεις σέρβις ή σε ρυθούς στο νερό. Η εγγύηση δεν ισχύει για συσσωρευτές σε ηλεκτρονικές μπαταρίες.

Η εγγύηση δεν περιορίζει το νόμιμο δικαίωμα του καταναλωτή που καθορίζονται από την ισχύουσα και δεσμευτική εθνική νομοθεσία για την προστασία των καταναλωτών.

Αυτοί οι όροι και οι προϋποθέσεις έχουν συσταθεί, διέπονται και ερμηνεύονται σύμφωνα με τους νόμους της Φινλανδίας. Περισσότερες πληροφορίες για την εγγύηση θα βρείτε στον ιστότοπο: warranty.hansa.com

Γνωστοποίηση ελαττωμάτων

Η εγγύηση ισχύει μόνο για ελαττώματα που ανακινούνται στην Hansa ή στον πελάτη σε εύλογο χρόνο (κανονικά εντός 14 ημερών) από την εξακρίβωση του ελαττώματος. Η διαδικασία επισκευής θα πρέπει να συμφωνείται με την Hansa ή τον αντιπρόσωπό της.

Ανακύκλωση υλικών

Ο ορείχαλκος είναι το κύριο υλικό που χρησιμοποιείται για την κατασκευή της μπαταρίας και είναι ανακυκλώσιμο. Ο καλύτερος τρόπος απόρριψης πεταλοειδών προϊόντων στο τέλος της διάρκειας ζωής τους είναι η παράδοσή τους σε μία εγκατάσταση ανακύκλωσης μετάλλων. Όλα τα πλαστικά που χρησιμοποιούνται στις μπαταρίες της Hansa είναι θερμοπλαστικά και ανακυκλώσιμα. Όλα τα υλικά συσκευασίας που χρησιμοποιούνται από την Hansa είναι κατάλληλα για ανακύκλωση. Οι συσσωρευτές και τα ηλεκτρονικά εξαρτήματα δεν πρέπει να απορρίπτονται μαζί με τα γενικά απορρίμματα, αλλά να ταξινομούνται και να παραδίδονται σε ειδικά σημεία συλλογής.

Υποχρέωση για ενημέρωση σύμφωνα με τον κανονισμό περί καταχώρισης, αξιολόγησης και έγκρισης χημικών ουσιών: Η περιεκτικότητα σε μόλυβδο των εξαρτημάτων υγιεινής της Hansa υπερβαίνει το όριο του 0,1 τόνου εκάστο του βάρους σε ορειχάλκινα εξαρτήματα. Τα προϊόντα με ορειχάλκινα εξαρτήματα με μικρή περιεκτικότητα σε μόλυβδο φέρουν ειδική σήμανση.

Εγκατάσταση

Για να εξασφαλίσετε τη βέλτιστη λειτουργικότητα συνιστούμε η εγκατάσταση των προϊόντων μας να πραγματοποιείται από επαγγελματία εγκαταστάτη. Σε περίπτωση προβλήματος, παρακαλούμε συμβουλευτείτε πρώτα τον εγκαταστάτη.

- Η σωλήνωση πρέπει να ξεπλένεται με προσοχή και να διαθέτει επαρκή ποσότητα αναστολής ιλύος πριν την εγκατάσταση μπαταριών ή βαλβίδων.
- Πρέπει να ακολουθείται η σωστή διαδικασία εγκατάστασης και ο εξοπλισμός πρέπει να ρυθμίζεται ανάλογα, ώστε να πληρούνται οι συνθήκες χρήσης.
- Η ηλεκτρική σύνδεση των ηλεκτρονικών μπαταριών που λειτουργούν με ηλεκτρικό ρεύμα πρέπει να εκτελείται μόνο από καταρτισμένο ηλεκτρολόγο.
- Το σέρβις και η ρύθμιση μπορούν, επίσης, να διενεργούνται από ένα άτομο με κατάλληλη κατάρτιση, π.χ. ένα άτομο που έχει ολοκληρώσει το εκπαιδευτικό πρόγραμμα Electra Training.

Οι ηλεκτρονικές μπαταρίες ανταποκρίνονται στις απαιτήσεις της οδηγίας περί ηλεκτρομαγνητικής συμβατότητας 2004/108/ΕΚ.

Προστασία σύμφωνα με το πρότυπο EN 1717 και συντήρηση σύμφωνα με το πρότυπο EN 806-5.

Καθαρισμός

Καθαρίστε την μπαταρία με ένα σφουγγαρί ή ένα μαλακό πανί που είναι υγροποιημένο με απορρυπαντικό διάλυμα. Μην χρησιμοποιείτε φιάλη ψεκασμού! Ξεπλύνετε την μπαταρία με άφθονο, σκέτο χλιαρό νερό. Στο τέλος σκουπίστε την μπαταρία.

- Οι εξωτερικές επιφάνειες πρέπει να καθαρίζονται με ουδέτερο ή ελαφρά αλκαλικό (pH 6-9) υγρό καθαριστικό, όπως διάλυμα σαπουνιού ή υγρό πλύσης (όχι σκόνη πλυντηρίου πιάτων). Τηρείτε πάντα τις οδηγίες του κατασκευαστή του απορρυπαντικού και τις οδηγίες δόσολογίας. Οργανικοί διαλύτες, μέσα ή συσκευές διάβρωσης καυτή τριψίματος δεν πρέπει να χρησιμοποιούνται.
- Προειδοποίηση! Η επίσρωση χρωμίου δεν είναι ανθεκτική σε φωσφορικά οξέα και χλωριούδες ενώσεις. (Το ίδιο ισχύει για όλα τα πλαστικά μέρη των εξαρτημάτων νερού).
- Μην καθαρίζετε την μπαταρία με συσκευή πλυσίματος υψηλής πίεσης.
- Εξοικονομήστε. Αφαιρέστε τον εξεριστή, καθαρίστε τον με νερό, ή αντικαταστήστε τον με έναν καινούριο.

Συνθήκες λειτουργίας

Κίνδυνος παγώματος

Οι μπαταρίες ή άλλα εξαρτήματα νερού που έχουν εγκατασταθεί σε ένα μέρος, όπου το νερό που έτοιμο παραμένει στο εσωτερικό τους μπορεί να παγώσει (π.χ. σε θερινά καταλύματα χωρίς θέρμανση κατά τη διάρκεια του χειμώνα), πρέπει να εκκενωθούν και να αποθηκευτούν σε ένα θερμοκρασιακό μέρος κατά την περίοδο που επικρατεί κρύο. Για την αποφυγή ζημιών λόγω παγώματος πρέπει να λαμβάνονται προληπτικά μέτρα, π.χ.:

Μπαταρίες μονού μοχλού: Αφαιρέστε το φυσίγιο.

Αυτόματες μπαταρίες: Αφαιρέστε το φυσίγιο και αδειάστε το νερό από την μπαταρία.

Μπαταρίες δύο λαβών: Αφαιρέστε τη στρόφιγγα εισροής.

Ηλεκτρονικές μπαταρίες: Αφαιρέστε την ηλεκτρομαγνητική βαλβίδα.

Προληπτικά μέτρα πρέπει να λαμβάνονται, επίσης, κατά τη μεταφορά μιας μεταχειρισμένης μπαταρίας σε περιβάλλον με θερμοκρασία υπαρκτού μηδένος.

Μέγιστη θερμοκρασία

Οι μπαταρίες και τα αξεσουάρ δεν είναι κατάλληλα για χρήση σε υπέρθερμο περιβάλλον, μέγ. +65 °C. Ο ίδιος περιορισμός θερμοκρασίας ισχύει και για τον καθαρισμό.

Αξεσουάρ άλλων εταιρειών

Μην συνδέετε στην μπαταρία συσκευές με διάταξη κλεισίματος, π.χ. συσκευή πλύσης υψηλής πίεσης / φιαλών ή λάστιχο κήπου με διάταξη κλεισίματος (π.χ. για την αντικατάσταση του εξεριστή).

Πρέπει να χρησιμοποιείται η διάταξη εκχυτήρα κατά τη χρήση κεφαλών καταιονητήρα Bidetta με σκανδάλη.

Η βαλβίδα του πλυντηρίου πρέπει πάντα να κλείνει μετά τη χρήση. Αν το πλυντήριο δεν μπορεί να συνδεθεί με την μπαταρία, ο σωλήνας σύνδεσης (G1/2) πρέπει να συνδέεται με κλείσιμο.

Hansa garancia (érvényes 2012.01.01-től, Európában)

Valamennyi Hansa csaptelep és tartozék tervezése és gyártása az EN szabványoknak megfelelően történik, és az EN-szabványban meghatározott megfelelő körülmények között biztosított a hibátlan működése. Kérjük, hogy olvassa el, kövesse és őrizze meg a termékhez mellékelt utasításokat!

Két (2) év garancia jár a helyi fogyasztóvédelmi törvény szerinti gyártási és anyaghibákra, amely a vásárlás napjától számított két (2) évig érvényes, vagy ha nincs számla a vásárlásról, akkor a terméken szereplő gyártástól bélyegző dátumától számított két (2) évig érvényes.

Öt (5) év korlátozott garancia vonatkozik a magánháztartásokban használt működő alkatrészekre: egykaros csaptelep kerámiabetéje, termosztátos csaptelep, mágnesszelep és érzékelő. A garancia kiterjed az anyag- vagy gyártási hibákra, de nem terjed ki további költségértérsre. Az Hansa fenntartja a jogot az eset kivizsgálására.

Tíz (10) év rendelkezésre állási garancia érvényes valamennyi 2012. 01. 01-től gyártott Hansa termék működő alkatrészeire és pótalkatrészeire.

Jótállási korlátozások

Ezeket a garanciális feltételek kizárólag olyan Hansa csaptelepekre és kiegészítőkre vonatkoznak, amelyek eredeti Hansa alkatrészeket tartalmaznak és rendeltetészerűen használnak. A csaptelepek és szerelvények telepítésénél és azok tervezésénél be kell tartani a helyi hatóságok előírásait és jogszabályait.

Az Hansa garancia nem vonatkozik a hibás szerelés, a helytelen telepítés, a nem megfelelő tisztítás, a nem rendeltetészerű használat, a javítás hiánya, a szervizhiány vagy a vízben lévő szennyeződések okozta hibákra. A garancia nem vonatkozik az elektronikus csaptelepek akkumulátoraira.

A garancia nem korlátozza a fogyasztó törvényes jogait az alkalmazandó és kötelező nemzeti fogyasztóvédelmi jogszabályok alapján.

Ezeket a feltételeket Finnország jogszabályainak megfelelően alakították ki és értelmezik. További információt a garanciáról a warranty.hansa.com címen találhatunk.

Hibabejelentés

A garancia csak azokra a hibákra vonatkozik, amelyeket az Hansa-nak vagy a viszonteladónak ésszerű időn belül jelentenek be, amely általában a hiba felfedezését követő 14 napon belül van. A javítási eljárásról meg kell állapodni az Hansa céggel vagy annak képviselőjével.

Anyagok újrahasznosítása

A csaptelep gyártásához használt fő alapanyag a sárgaréz, amely újrahasznosítható. Az életciklusuk végén az elavult termékek ártalmatlanításának legjobb módja, ha azokat egy fém újrahasznosító helyre küldjük. Az Hansa csaptelepeken használt valamennyi műanyag alkatrész hőre lágyuló és újrahasznosítható. Az Hansa által használt csomagolóanyagok is alkalmasak az újrahasznosításra. Az elemeket és az elektronikus alkatrészeket nem szabad az általános hulladékkal együtt ártalmatlanítani, hanem azokat külön gyűjtési pontokra kell szállítani.

A REACH-rendelet szerinti tájékoztatási kötelezettség: Az Hansa szaniter szerelvények ólomtartalma meghaladja a sárgaréz alkatrészek 0,1 tömegszázalékos határértékét. Az alacsonyabb ólomtartalmú rézkomponensekkel rendelkező termékeknél külön jelölés látható.

Szerelés

A legjobb működés biztosítása érdekében a felszerelés szakképzett szerelő által ajánlott. Panasz esetén, kérjük, hogy először a szerelőhöz forduljon segítségért.

- A csövezeteket gondosan át kell mosni és elegendő számú iszapüleptetővel kell ellátni a csaptelep vagy szelep telepítése előtt.
- A helyes telepítési eljárást be kell tartani, és a berendezést a használati feltételeknek megfelelően kell beállítani.
- A hálózati feszültségű elektromos csapok elektromos csatlakoztatását csak szakképzett villanyszerelő végezheti.
- A karbantartást és a beállítást megfelelően képzett személy végezheti, pl. aki elvégezte az Electra Képzési Iskolát.

Az elektronikus csapok megfelelnek az EMC 2004/108 / EY irányelv követelményeinek.

Védelem az EN 1717 szerint és karbantartás az EN 806-5 szerint

Tisztítás

Tisztítsa meg a csapot mosogatószerrel megnedvesített szivaccsal vagy puha ruhával. Ne használjon spray-palackot! Öblítse le a csaptelepet bőséges, langyos vízzel. Végül törölje szárazra a csapot.

- A külső felületeket semleges vagy enyhén lúgos (pH 6-9) folyékony tisztítószerezrel, például szappanoldattal vagy tisztítószerezrel (nem mosogatógéphez való por) kell tisztítani. Mindig kövesse a tisztítószerez gyártójának utasításait és az adagolási iránymutatásokat. Szerves oldószerezek, maró és / vagy sűrűlőszerezek, dörzsölő eszközöket nem szabad használni.
- Figyelem! A króm bevonat nem áll ellen a foszforsavaknak és a klorvegyületeknek. (Ugyanez vonatkozik a zuhanyfülkék összes műanyag alkatrészére).
- Ne tisztítsa meg a csapot nagynyomású mosóval.
- Perlátort: Vegye ki a perlátort, tisztítsa meg vízzel, vagy cserélje ki egy újra.

Üzemeltetési feltételek

Fagyvesztély

A csaptelepeket vagy más szerelvényeket fagymentes helyen kell elhelyezni. A télen fűtetlen helyiségben lévő termékekből a hideg idő beállta előtt a vizet ki kell üríteni. Övintézkedések a fagykár megelőzésére, pl.

Egykaros csapok: Vegye ki a patronát.

Automatikus csaptelepek: Vegye le a patronát és ürítse ki a vizet a csapból.

Kétfogmos csaptelepek: Vegye ki az elzárószelepeket.

Elektronikus csapok: Vegye ki a mágnesszelepet.

Övintézkedéseket kell tenni a már használtban volt csaptelep fagyhatár alatti hőmérsékleten történő szállítása előtt is.

Maximális hőmérséklet:

A csaptelepek és a tartozékok nem alkalmasak + 65 ° C-nál melegebb környezetben történő használatra. Ugyanez a hőmérsékletkorlátozás vonatkozik a tisztításra is.

Egyéb termékek használata:

Ne csatlakoztasson a csaptelep perlátórához elzárószerkezettel rendelkező terméket pl. nagynyomású mosót, üvegmosót, kerti tömlőt. A Bidetta kézzuhabnyalval rendelkező egykaros csaptelepek esetében az ejektor-egység beépítése kötelező.

A mosógép szelepet használatát után mindig el kell zárni. Ha a mosógépet nem lehet a csaphoz csatlakoztatni, akkor a sarokszelepet (G1 / 2) kell lezárni.

Garanzia Hansa (validità dal 01.01.2012 in Europa)

Tutta la rubinetteria e gli accessori Hansa sono progettati e realizzati in conformità alle specifiche degli standard EN così come il loro funzionamento impeccabile risponde alla medesima normativa. Invitiamo gentilmente a leggere, seguire e conservare le istruzioni in dotazione ai prodotti.

Due (2) anni di garanzia coprono i difetti di produzione e dei materiali secondo l'obbligo di tutela del consumatore, e la garanzia è valida per due (2) anni dalla data di acquisto o, in mancanza del documento di acquisto (fattura), due (2) anni dal mese/anno di produzione inciso sul prodotto.

Cinque (5) anni di garanzia limitata per i componenti funzionali usati nei bagni privati: cartuccia per miscelatore monocomando, cartuccia termostatica, valvola magnetica e fotocellula. La garanzia copre il materiale e i difetti di produzione ma non altre spese aggiuntive. Hansa si riserva il diritto di investigare e approfondire ogni richiesta.

Dieci (10) anni di disponibilità garantita per i componenti funzionali e i ricambi di tutti i prodotti Hansa costruiti dopo il 01.01.2012.

Limitazioni di garanzia

Queste condizioni di garanzia riguardano solo la rubinetteria e gli accessori Hansa che sono equipaggiati con parti originali Hansa, con manutenzione e modi di utilizzo conformi al manuale di istruzione Hansa. L'accettazione della garanzia è legata alla verifica del rispetto delle conformità di installazione della rubinetteria e della progettazione dell'impiantistica idraulica.

La garanzia Hansa non si applica ai difetti causati da assemblaggio sbagliato, installazione errata, pulizia sbagliata, utilizzo errato, mancanza di riparazione, mancanza di manutenzione o in caso di acqua impura. La garanzia non si applica alle batterie della rubinetteria elettronica.

La garanzia non limita i diritti di tutela del consumatore secondo quanto stabilito dalla normativa vigente.

Questi termini e condizioni di garanzia sono stati stabiliti, regolati e interpretati secondo le leggi della Finlandia. Per ulteriori informazioni sulla garanzia: warranty.hansa.com

Avviso di reclamo

La garanzia si applica solo ai reclami che sono comunicati a Hansa o al rivenditore in tempo ragionevole (normalmente entro 14 giorni) dalla scoperta del difetto.

La procedura di riparazione deve essere concordata con Hansa o un suo Rappresentante.

Smaltimento del materiale

L'ottone è il principale materiale usato nella produzione della rubinetteria, ed è riciclabile. La maniera migliore di disfarsi dei prodotti obsoleti alla fine del loro ciclo di vita è di inviarli a un sito attrezzato per il riciclaggio dei metalli. Tutti le componenti plastiche usate nella rubinetteria Hansa sono termoplastiche e riciclabili. Tutti gli imballi usati da Hansa sono riciclabili. Le batterie e i componenti elettronici non devono essere eliminati tra i rifiuti generici ma devono essere smaltiti e destinati alla raccolta differenziata.

Obbligo informativo secondo il regolamento REACH: il contenuto di piombo della rubinetteria sanitaria Hansa nei componenti di ottone è più alto dello 0,1%. Prodotti differenti sono specificamente contrassegnati.

Installazione

Per garantire la migliore funzionalità dei nostri prodotti, consigliamo che vengano montati da installatori professionali. In caso di reclami prego consultare prima il vostro installatore.

- Le tubazioni devono essere risciacquate ed equipaggiate con un adeguato numero di filtri per le varie impurità prima di installare la rubinetteria o il valvolame.
- La corretta procedura di installazione deve essere eseguita e il materiale deve essere utilizzato in maniera congrua per soddisfare le migliori condizioni di utilizzo.
- I collegamenti elettrici della rubinetteria elettronica alimentata dalla rete devono essere eseguiti solo da personale elettricista qualificato. Assistenza e sostituzione sono permesse solo a personale qualificato, cioè qualcuno che abbia completato un Corso Tecnico di Formazione Electra.

La rubinetteria elettronica soddisfa i requisiti della direttiva EMC 2004/108/EY.

Protezione secondo la norma EN 1717 e manutenzione secondo la norma EN 806-5

Pulizia

Pulire la rubinetteria con una spugna o un panno morbido inumidito con una soluzione detergente. Non usare prodotti spray! Risciacquare la rubinetteria con abbondante acqua tiepida. Al termine, asciugare la rubinetteria.

- Le superfici esterne devono essere pulite usando prodotti liquidi naturali o leggermente alcalini (PH 6-9), come soluzioni di sapone o liquidi di pulizia (non polvere per lavastoviglie). Seguire sempre le istruzioni e le dosi consigliate dal produttore del detergente. Non devono essere usati solventi organici, corrosivi e/o prodotti abrasivi.
- Attenzione! La superficie cromata non è resistente all'acido fosforico e ai composti a base di cloro (le stesse indicazioni si applicano a tutti le componenti plastiche dei prodotti doccia).
- Non pulire la rubinetteria con acqua erogata ad alta pressione.
- Aeratore: rimuovere l'aeratore, pulirlo con acqua, o sostituirlo con uno nuovo.

Condizioni di funzionamento

Rischio di congelamento

Rubinetteria o accessori installati in luoghi nei quali l'acqua lasciata al loro interno possa congelare (ad esempio durante l'inverno nelle case di vacanza non riscaldate), devono essere svuotati o conservati in un luogo riscaldato per il periodo invernale.

Tutte le precauzioni necessarie devono essere prese per prevenire i danni causati dal congelamento, ad esempio:

<i>Miscelatori monocomando:</i>	rimuovere la cartuccia
<i>Rubinetteria elettronica:</i>	rimuovere la cartuccia e svuotare l'acqua
<i>Rubinetteria a due manopole:</i>	rimuovere i vitoni.
<i>Rubinetteria elettronica:</i>	smontare l'elettrovalvola.

Tutte le precauzioni necessarie devono essere prese quando si trasporta della rubinetteria usata in zone con temperature sotto zero.

Temperature massime

Rubinetterie e accessori non sono adatti all'uso in ambienti caldi, max. +65°C. Lo stesso limite di temperatura vale per la pulizia.

Accessori di terzi

Non collegare alla rubinetteria qualsiasi apparecchiatura equipaggiata con un dispositivo di chiusura, ad esempio un pulitore di bottiglie ad alta pressione o tubi flessibili da giardino con valvole di chiusura (ad esempio togliendo l'aeratore).

Un eiettore speciale deve essere usato quando si usa una doccia bidetta con pulsante.

La valvola per lavatrice deve essere sempre spenta dopo l'uso. Se la lavatrice non può essere collegata a una rubinetteria, allora il tubo di collegamento (G 1/2) deve essere chiuso.

„Oras“ garantija (Europoje galioja nuo 2012.01.01)

Visi „Oras“ maišytuvai ir jų priedai projektuojami ir gaminami pagal EN standartus, todėl veikimas be trūkumų užtikrinamas vadovaujantis EN standartuose nurodytomis sąlygomis. Maloniai prašome perskaityti ir išsaugoti prie gaminio pridėdamas instrukcijas bei jų laikytis.

Vadovaudamiesi vietiniu Vartotojų teisių apsaugos įstatymu, ištaisysime per dvejus (2) metus išaiškėjusį gamybos ir medžiagų broką. Garantija galioja dvejus (2) metus nuo pirkimo dienos, o jei pirkimo dokumentų (kvito) nėra, dvejus (2) metus nuo paženklintų pagaminimo metų ir mėnesio.

Ribota penkerių (5) metų garantija taikoma privačiuose namų ūkiuose naudojamų maišytuvų funkciniais komponentams: viensvirčio maišytuvo kasetei, termostatinio maišytuvo kasetei, elektromagnetiniam vožtuvui ir sensoriui. Ši garantija taikoma tik gedimams dėl medžiagų arba gamybos broko, bet neapima jokių kitų papildomų išlaidų. „Oras“ pasilike teisę iširti atvejį.

Dešimties (10) metų garantija dėl galimybės įsigyti visų po 2012.01.01 pagamintų „Oras“ gaminių funkcinį komponentų ir atsarginių dalių.

Garantijos apribojimai

Šios garantijos sąlygos taikomos tik „Oras“ maišytuvams ir priedams, kuriuose sumontuotos originalios „Oras“ dalys ir kurie prižiūrimi ir naudojami vadovaujantis naudojimo ir priežiūros instrukcija. Montuojant maišytuvus ir vandens sistemos jungiamąsias dalis, taip pat jas projektuojant, būtina laikytis vietinių valdžios institucijų nustatytų sąlygų ir teisės aktų.

„Oras“ garantija netaikoma gedimams dėl neteisingo surinkimo, netinkamo sumontavimo, netinkamo valymo, netinkamo naudojimo, netaisymo arba neprežiūros arba dėl nešvarumų vandenyje. Garantija netaikoma elektroninių maišytuvų baterijoms.

Ši garantija neriboja įstatymuose nustatytų vartotojo teisių, taikomų pagal galiojantį ir privalomą šalies Vartotojų teisių apsaugos įstatymą.

Šios taisyklės ir sąlygos sudarytos, reglamentuojamos ir interpretuojamos pagal Suomijos įstatymus.

Išsamesnė informacija apie garantiją pateikta: warranty.oras.com

Pranešimas apie gedimą

Garantija taikoma tik tiems gedimams, apie kuriuos bendrovei „Oras“ arba pardavėjui pranešama per protingą terminą (įprastai per 14 dienų) nuo gedimo aptikimo dienos. Dėl taisyso turi būti tariamasi su „Oras“ arba jos atstovu.

Pakartotinas medžiagų panaudojimas

Pagrindinė maišytuvų gamyboje naudojama medžiaga yra žalvaris, jį galima pakartotinai panaudoti. Geriausias būdas atsikratyti nenaudojamų susidėvėjusių gaminių – perduoti j metalo perdirbimo punktą. Visas plastikas, naudojamas „Oras“ maišytuvų gamyboje, yra termoplastikas ir jį galima pakartotinai panaudoti. Visos firmos „Oras“ naudojamoms pakavimo medžiagoms yra tinkamos pakartotiniam panaudojimui. Baterijų ir elektroninių dalių po jų panaudojimo negalima išmesti kartu su bendromis atliekomis, jas būtina išrūšiuoti ir perduoti į specialius surinkimo punktus.

Obbligo informativo secondo il regolamento REACH: il contenuto di piombo della rubinetteria sanitaria Oras nei componenti di ottone è in più alto dello 0,1%. Prodotti differenti sono specificamente contrassegnati.

Montavimas

Norėdami užtikrinti geriausią vartotojo patirtį, rekomenduojame, kad mūsų produktus įdiegtų tik profesionalus montuotojas. Netikslaus veikimo atveju, rekomenduojame, pirmiausia problemą aptarti su savo montuotoju.

- prieš maišytuvų ir ventilių montavimą vamzdynus reikia kruopščiai praplauti ir įrengti pakankamai dumblo surinktuvą.
- būtina vadovautis tinkamo montavimo procedūra ir deramai sureguliuoti įrangą, kad ji atitiktų naudojimo sąlygas.
- iš lėško maitinamų elektroninių maišytuvų elektros prijungimo darbus gali atlikti tik kvalifikuotas elektrikas.
- Aptamavimo ir reguliavimo darbus taip pat gali atlikti tinkamą kvalifikaciją turintis asmuo, pvz., Electra mokymų programą baigęs specialistas.

Elektroniniai maišytuvai atitinka EMS direktyvos 2004/108/EB reikalavimus.

Atitinka EN 1717 ir EN 806-5 standartus

Valymas

Maišytuvą valykite ploviklio tirpalu sudrėkinta kempine arba minkšta šluoste. Nenaudokite iš butelio purškiamų valiklių! Maišytuvą nuplaukite dideliu kiekiu švaraus drungno vandens. Galiausiai maišytuvą sausai nušluostykite.

- **Išorinius paviršius** valyti reikėtų neutraliais arba lengvai šarminiais (pH 6-9) skystais valikliais, pavyzdžiui, muilo tirpalu arba valymui skirtais skysčiais (nenaudoti indaploviių miltelių). Visuomet laikykitės ploviklio gamintojo nurodymų ir rekomenduojamų dozių. Nenaudokite organinių tirpiklių, šėdinančių ir (arba) abrazyvų turinčių medžiagų ar prietaisų.
- **Dėmesio!** Chromuoti paviršiai nėra atsparūs fosforo rūgščiai ar chloro junginiams. (Tas pats galioja ir visoms plastikinėms dušo sistemų dalims).
- **Neplaukite maišytuvo aukšto slėgio plovikliu.**
- **Aeratorius:** išimkite aeratorių, išplaukite vandeniu arba pakeiskite nauju.

Eksploatavimo sąlygos

Užšalimo pavojus

Jei maišytuvai ar vandens sistemos jungiamosios dalys sumontuotos ten, kur vanduo gali likti jų viduje (pvz., vasarvietėje, kur žiemą patalpos nešildomos), šaltuoju metų laiku iš jų turi būti pašalintas vanduo arba jos turi būti laikomos šildomose patalpose. Turi būti imtasi priemonių, kurios apsaugotų nuo pažeidimų dėl užšalimo, pvz., Viensvirčių maišytuvams: išimti kasetę.

Automatiniams maišytuvams: išimti kasetę ir išleisti vandenį iš maišytuvo.

Bekontaktams maišytuvams: išimti selenoidinį ventilių.

Dvisvirčiams maišytuvams: išuksti ventilius.

Taip pat būtina imtis atsargos priemonių panaudotą maišytuvą transportuojant esant neigiamai temperatūrai.

Aukščiausia temperatūra

Maišytuvai ir jų priedai nėra pritaikyti naudoti karštoje aplinkoje, maks. temperatūra +65°C. Tas pats temperatūros ribojimas galioja ir valant.

Trečiųjų šalių priedai

Prie čiaupo nejunkite prietaisų su uždarymo mechanizmu, pvz., aukšto slėgio ploviklių ar butelių ploviklių arba sodo žarnos su uždarymo mechanizmu (pvz., pakeisti aeratorių).

Naudojant „Bidetta“ rankinį dušą su jungikliu būtina naudoti įrenginį su ežektoriumi.

Baigus skalbti visuomet būtina užskuti skalbimo mašinos vožtuvą. Jeigu skalbimo mašinos negalima prijungti prie čiaupo, sujungimo vamzdis (G1/2) turi būti užsklęstas.

Oras vispārējie garantijas noteikumi (Eiropa apstiprināti no 01.01.2012)

Oras jaucējkrāni un piederumi ir konstruēti un ražoti atbilstoši EN standartiem, un tāpēc tiek garantēta nevainojama to darbība noteiktos EN standartos norādītajos apstākļos. Lūdzu, izlasiet un rūpīgi ievērojiet šim izstrādājumam pievienotās lietošanas un apkopes instrukcijas.

Divu (2) gadu garantija kompensē ražošanas un materiālu defektus saskaņā ar likumos noteikto kārtību. Garantija ir spēkā divus (2) gadus no pirkuma izdarīšanas brīža vai gadījumā, ja nav pirkuma dokumenta, divus (2) gadus no gadamēneša, kas norādīts jaucējkrāna ražošanas zīmogā.

Piecu (5) gadu garantija privātās mājāsaimniecībās lietu jaucējkrānu funkcionālajiem komponentiem: viensvirs jaucējkrāna kasetei, elektromagnētiskam vārstam, sensoram un termostata kasetei. Garantija ir spēkā attiecībā uz augšminēto funkcionālo komponentu materiālu un ražošanas defektiem, bet neattiecas uz citām papildus izmaksām. Visas remontdarbu u.c. izmaksas sedz patērētājs. Oras patur tiesības izmeklēt lietu.

Desmit (10) gadu pieejamības garantija attiecībā uz funkcionāliem komponentiem un rezerves daļām visiem Oras produktiem, kas ražoti pēc 1.1.2012.

Garantijas ierobežojumi

Šie garantijas nosacījumi attiecas tikai uz Oras jaucējkrāniem un piederumiem, kas aprīkoti ar oriģinālajām Oras rezerves daļām un kuru apkope un lietošana veikta saskaņā ar lietošanas un apkopes rokasgrāmatu. Jaucējkrānu un ūdensapgādes piederumu uzstādīšanā un to plānošanā ir jābūt ievērotām vietējo varasiestāžu un likumdošanas prasībām.

Šis Oras garantijas neattiecas uz defektiem, ko izraisījis nepareiza montāža, nepareiza uzstādīšana, tīrīšana (beršana vai kodīgu tīrīšanas līdzekļu lietošana), nepareiza lietošana, remonta vai tehniskās apkopes neveikšana netīra ūdens (gružu, kaļķu, ķīmikāliju utt.) gadījumā. Garantija neattiecas uz elektronisko jaucējkrānu baterijām.

Šis garantijas neierobežo piemērojamajā un obligāti ievērojamajā nacionālajā patērētāju aizsardzības likumā noteiktās patērētāju tiesības.

Šie garantijas noteikumi un nosacījumi ir izstrādāti un tos regulē Somijas likumi. Sīkāku garantijas informāciju skatiet warranty.oras.com

Paziņošana par defektiem

Šis garantijas attiecas tikai uz defektiem, par kuriem Oras vai pārdevējam tiek paziņots saprātīgā laikposmā (parasti 14 dienu laikā) no to atklāšanas brīža. Remonta procedūra ir jāsaskaņo ar Oras vai tā pārstāvi.

Materiālu pārstrāde

Galvenā jaucējkrānu izejviela ir misiņš, kas pats par sevi ir pārstrādājams materiāls. Labākais veids, kā atbrīvoties no novecojušiem produktiem to dzīves cikla beigās, ir nodot metāla lūznu savākšanas punktos. Visas Oras jaucējkrānos izmantotās plastikas ir termoplastiskās plastmasas, kas padodas pārstrādei. Oras izmanto tie iepakojuma materiāli ir derīgi otrreizējai pārstrādei. Nemetiet baterijas un elektronikas komponentus kopējos atkritumos, tie ir jāizšķiro un jānogādā speciālos savākšanas punktos.

Saskaņā ar REACH regulas prasībām mēs informējam: Oras santehnikas produkti, kuru svina saturs pārsniedz 0,1% misiņa komponentos, ir īpaši marķēti.

Montāža

Lai nodrošinātu vislabāko funkcionalitāti, mēs iesakām mūsu produktus uzstādīt profesionāliem meistaram. Sūdzību gadījumā vispirms konsultējieties ar savu meistaru.

- Pirms jaucējkrāna vai ventīļa uzstādīšanas jāveic ūdens caurvada skalošana un jāuzstāda dubļu filtri.
- Sevišķa uzmanība jāpievērš secīgai un akurātai uzstādīšanai, lai jaucējkrāniem un ventīļiem būtu atbilstoši priekšnoteikumi teicamai funkcionālai darbībai.
- Elektroniskajiem jaucējkrāniem, ar fiksētu tīklu (230V) elektroenerģijas barošanu, elektroinstalāciju drīkst veikt kvalificēts elektriķis.
- Elektronisko jaucējkrānu uzstādīšanu, regulēšanu un apkopi var veikt tikai sertificēts speciālists, kas apguvis Oras Electra Apmācības Programmu.

Oras elektroniskie jaucējkrāni atbilst EMC direktīvas 2004/108/EY prasībām.

Atbilst EN 1717 un EN 806-5 standartiem

Tīrīšana

Jaucējkrānu jātīra ar mikstu sūkli, kas pirms tam ir iemērkts ar ūdeni atšķaidītā tīrīšanas līdzeklī. Nelietot aerosolus vai izsmidzinātājus! Bagātīgi noskalot jaucējkrānu ar tīru, remdenu ūdeni. Noslaucīt jaucējkrāna vīrsu ar tīru, mikstu lupatīti.

- **Vīrsmas tīrīšanai** jāizmanto neitrālus vai nedaudz sārmains (pH 6-9) šķīdros mazgāšanas līdzekļus, piemēram, ziepju šķīdumi vai dažādi trauku mazgāšanas līdzekļi (izņemot trauku mazgājamās mašīnas detergentus). Vienmēr jāseko līdzi mazgāšanas līdzekļa ražotāja direktīvām un atšķaidīšanas instrukcijām. Nelietot organiskos šķīdinātājus, kodinātājus un/vai abrazīvus līdzekļus vai ierīces.
- **Ūzmanību!** Fosforskābi un hlora saturoši tīrīšanas līdzekļi negatīvi ietekmē jaucējkrāna hromēto vīrsu un dušas piederumu plastmasas detaļas.
- **Netīrīt jaucējkrānus ar augstspiediena ūdens strūklu.**
- **Aeratori:** Noņemiet aeratoru, mazgājiet to ar ūdeni vai nomainiet uz jaunu.

Eksploatacijas apstākļi

Sasalšanas risks

Jaucējkrānus un aksesuārus, kas ir uzstādīti vietās (piemēram, neapkurinātās vasarnīcās) un, iestājoties salam, ūdens var sasalt, ir jāatbrīvo no ūdens vai jāuzglabā apslīdāmās telpās. Lai novērstu sasalšanas risku var veikt sekojošus aizsardzības pasākumus:

<i>Viensvirs jaucējkrāni:</i>	Izņemt kaseti.
<i>Automātiskie jaucējkrāni:</i>	Izņemt kaseti un atbrīvot jaucējkrānu no ūdens.
<i>Divrokturu jaucējkrāni:</i>	Izņemt vadības ventīļus.
<i>Elektroniskie jaucējkrāni:</i>	Atvienojiet soleonīda ventīli

Piesardzības pasākumi ir jāveic arī tad, ja jaucējkrānu transportēšana notiek pazeminātās temperatūrās apstākļos.

Maksimālā temperatūra

Jaucējkrāni un to aksesuāri nav paredzēti lietošanai karstā vidē (max. temperatūra +65°C). Tas pats temperatūras ierobežojums attiecas arī uz tīrīšanu.

Trešās puses aksesuāri

Aizliegts pievienot jaucējkrāna izteikā (aeratora vietā) jebkuru ierīci ar slēgvārstu (piemēram, augstspiediena mazgājamās ierīces vai citu, līdzīgu aprīkojumu).

Ar mēlīti darbināmas Bidetta rokas dušas gadījumā izmanto ežektora mezglu.

Veļas mazgājamās mašīnas ventilis pēc lietošanas vienmēr ir jāpagriež „off” stāvoklī. Ja veļas mazgājamā mašīna nevar tikt savienota ar krānu, tad savienojuma caurule (G1/2) jānoslēdz ar korķi.

Hansa Algemene Garantievoorwaarden (geldig vanaf 1.1.2012 in Europa)

Alle Hansa kranen en accessoires zijn ontworpen en gefabriceerd volgens de EN-normen en dus wordt een probleemloze werking gegarandeerd onder passende voorwaarden gespecificeerd in de EN-normen. Wij verzoeken u vriendelijk om de instructies voor gebruik en onderhoud, die bijgesloten zijn bij het product, te lezen en te volgen.

Twee (2) jaar garantie omvat fabricage- en materiaalfouten voor een periode van twee (2) jaar op basis van de wet voor de verplichte bescherming van de consument. De garantie is geldig voor 2 jaar vanaf de aankoopdatum, of in het geval er geen bewijs voorhanden is van de inkoop, 2 jaar vanaf de jaren / maanden op de productiedatum van de kraan (het jaar/maand van de stempel.

Vijf (5) jaar beperkte garantie op hieronder genoemde functionele componenten gebruikt in particuliere huishoudens: ééngreeps binnenwerk, magneetventiel, sensor en thermostatische element. Garantie geldt voor materiaal of fabricage fouten. Hansa behoudt rechten op de zaak te onderzoeken. Deze garantie dekt geen andere extra kosten.

Tien (10) jaar is de beschikbaarheidsgarantie voor de beschikbaarheid van functionele componenten en onderdelen van alle Hansa producten gemaakt na 01/01/2012

Garantie beperkingen

Deze garantievoorwaarden zijn alleen van toepassing voor Hansa kranen en accessoires die zijn uitgerust met originele Hansa onderdelen en die onderhouden en gebruikt worden volgens de gebruikershandleiding. De bepalingen van de lokale overheden en wetgeving omtrent de installaties van kranen en waterarmaturen en bij de planning ervan moeten nageleefd worden.

De bovenstaande Hansa garantie niet van toepassing op gebreken veroorzaakt door verkeerde montage, verkeerde installatie, verkeerd reiniging, verkeerd gebruik, gebrek aan onderhoud of het gebrek aan service in geval van onzuiverheid van het water. Geen garantie op batterijen.

Deze garanties hebben geen beperking op de wettelijke rechten op grond van geldende, bindende nationale wetgeving inzake consumentenbescherming.

Deze garantievoorwaarden zijn gemaakt onder en worden beheerd door een geïnterpreteerd in overeenstemming met de wetten van Finland. Voor meer info: warranty.hansa.com

Foutmelding

Deze garanties zijn alleen van toepassing op de fouten die zijn gemeld aan Hansa of de verkoper binnen een redelijke termijn (meestal binnen 14 dagen), vanaf het ontdekken van de fout. Verder moet overeengekomen worden met Hansa of diens vertegenwoordiger, hoe men de kraan zal repareren en wie de reparatie zal uitvoeren.

Het recycleren van materiaal

Het hoofdmateriaal dat gebruikt wordt bij het vervaardigen van kranen bestaat uit recycleerbaar messing. De beste manier om overbodige producten te recycleren op het einde van hun gebruik, is om ze naar een metaalverwerkingsbedrijf te sturen. Alle plastic die in Hansa kranen gebruikt wordt, is thermoplastisch en dus al een gerecycleerd product. Al het verpakkingsmateriaal dat door Hansa gebruikt wordt, kan gerecycleerd worden. Batterijen en elektronische onderdelen mogen niet bij het gewone afval. Deze moeten gesorteerd en ingezameld worden bij de daarvoor geschikte verzamelpunten.

Informatie verplichting conform de REACH reglementering: het aandeel van lood in Hansa sanitair kraanwerk is meer dan 0.1% in messing componenten. Afwijkende producten zijn speciaal gemarkeerd.

Installatie

Om de best mogelijke werking te garanderen, bevelen wij aan dat u onze producten laat plaatsen door een professioneel installateur. In geval van klachten, vraag in eerste instantie uw installateur contacteren.

- Het systeem moet uitgerust zijn met een voldoende aantal mechanismen om het binnenspoelen van vreemde voorwerpen te vermijden.
- Een correcte installatie is belangrijk opdat kranen en kleppen alle mogelijkheden hebben om goed te functioneren.
- De leidingen moeten gespoeld worden met zuiver water om zand en andere onzuiverheden te verwijderen vooraleer de kranen en ventielen te installeren.

Electronisch kraanwerk voldoet aan de EMC norm 2004/108/EEY.

Bescherming volgens EN 1717 en onderhoud volgens EN 806-5

Reinigen

Reinig de kraan met een spons of zachte doek. Gebruik geen flessen met verstuiver. Spoel voldoende met lauw water. Daarna veegt u de kraan droog.

- Het reinigen van externe oppervlakten van de kraan Regelmatig reinigen van de externe oppervlaktes moet gebeuren met neutrale of licht alkaline producten (PH 6-9) bvb: zeepoplossingen en verschillende wasmiddelen (geen waspoeder) Volg altijd de instructies van de fabrikanten op. Organische oplossingen en schuurmiddelen mogen niet gebruikt worden.
- Waarschuwing! Chromcoatings weerstaan niet aan fosforische zuren en chlorine bestanddelen (Het zelfde geldt voor de kunststofonderdelen van een douche ultrusting) die bevatten bvb
- Reinig nooit met een hogedrukslang.
- Na reinigen van het oppervlakte, altijd spoelen en droogwrijven.
- De perlator reinigen: verwijder de perlator, reinig met water of vervang door een nieuwe.

Operating conditions

Risico's op bevriezing

Kranen of aanverwante producten die geplaatst werden waar residueel water kan bevriezen, moeten leeggemaakt, of opgeslagen worden in een verwarmde plaats gedurende de koude periode. Verschillende voorzorgsmaatregelen moeten genomen worden om schade ten gevolge van bevriezing te voorkomen.

Eéngreepsmengkranen: Verwijder het binnenwerk.

Automatische kranen: Verwijder het binnenwerk en zorg ervoor dat er geen residueel water in de kraan aanwezig is.

Twee greeps mengkraan: Maak het hoofd deel los.

Elektronische kranen: Maak het magneetventiel los.

Voorzorgsmaatregelen moeten genomen worden wanneer een gebruikte kraan bij negatieve temperaturen vervoerd wordt.

Maximale temperatuur

Niet geschikt om te gebruiken in een hete omgeving (max +65°C). Dezelfde temperatuurbeperking geldt ook voor het reinigen.

Derde partij onderdelen

Sluit geen toepassing aan, voorzien van een sluitingsmechanisme bvb een hoge druk- flessenwasser of tuinslang met een sluitingsmechanisme, op de kraan (bvb om de perlator te vervangen)

De ejector moet steeds geplaatst worden indien u een bidetta handdouche gebruikt.

Het ventiel voor de wasmachine moet na gebruik altijd uitgeschakeld worden. Als de wasmachine niet kan worden aangesloten op de kraan, moet de verbindingspijp (G 1/2) worden afgesloten.

Oras garantibetingelser (gjelder fra 1.1.2012 i Europa)

Gratuler med ditt cranval!

Alle Oras kraner og tilbehør er konstruert og produsert i henhold til EN-standarder og er derfor garantert feilfrie ved drift under forhold angitt i EN-standardene. Vi ber deg om å lese og følge bruks- og vedlikeholdsinstruksjoner nøye. Disse følger med produktet.

To (2) års garanti

Skulle du ha noen klager angående våre produkter, ber vi deg om å kontakte selgeren så snart som mulig. Vi dekker produksjons- og materialfeil for perioden på to (2) år i henhold til Forbrukerkjøpslovens bestemmelser. Garantien er gyldig i to (2) år fra kjøpsdato eller i tilfelle det ikke finnes dokumentasjon av innkjøp, to (2) år fra kranens produksjonsstempel (år / måned stempel) + to år.

Fem (5) års garanti for alle Oras produktens hovedkomponenter nevnt nedenfor

Denne garantien gjelder for følgende hovedkomponenter på kraner som brukes i private husholdninger: kassett for ettgrepskraner, magnetventil og sensor for elektroniske kraner, og termostatkassett for termostatstyrte kraner.

(Oras forbeholder seg retten til å undersøke saken). Oras tilbyr en ny del i bytte uten kostnad.

Ti (10) år leveringsgaranti for hovedkomponenter og reservedeler til alle Oras produkter

Leveringsgarantien gjelder for produkter som er produsert etter 1.1.2012.

Garantibegrensninger

Disse garantivilkår gjelder for Oras kraner og tilbehør som er utstyrt med originale Oras deler, og vedlikeholdes og brukes i henhold til bruks- og vedlikeholdsmanualen.

Ved planlegging og montering av VVS-anlegg må norske forskrifter nedfelt i Plan- og Bygningssloven, samt Våtromsnormen følges.

Oras garantivilkår gjelder ikke for feil som skyldes feilmontering, rengjøring (skrubbing eller bruk av etsende rengjøringsmidler), feil bruk, mangel på vedlikehold eller der smuss fra vannet er feilårsak (søppel, kalk, kjemikalier, etc.). Garantien gjelder ikke for batterier i elektroniske kraner.

Disse garantiene begrenser ikke forbrukerens lovbestemte rettigheter etter kjøpslovens bestemmelser.

Disse garantivilkår skal reguleres og tolkes i samsvar med norsk lov.

For ytterligere informasjon om Oras garantier, ta kontakt med kranseilger eller e-postadresse info.norway@oras.com.

Reklamasjonshenvendelser

Garantien gjelder kun ved feil som er meddelt Oras eller selger innen rimelig tid (normalt innen 14 dager), fra feilen blir oppdaget. Samtidig skal forbruker fremvisse dokumentasjon på når produktet ble kjøpt. Videre skal det avtales med Oras eller våre representanter hvordan reparasjon skal foregå, og hvem som skal foreta service.

Gjenvinning av materiale

Hovedmaterialet i våre kraner er messing som i seg selv er et resirkulert materiale. Den beste måten å ta vare på og resirkulere våre kraner, er å sørge for å bringe dem til et metall-resirkuleringsanlegg. All plast brukt i våre kraner er av termoplast og derfor resirkulerbar. All emballasje brukt av Oras kan resirkuleres. Batterier og elektronikk skal ikke kastes sammen med restavfall, men skal sorteres ut og leveres til mottak for slikt avfall.

Forpliktelse til å informere i henhold til REACH-forskriften: Blyandelen i Oras sanitærutstyr er mer enn 0,1% i messingkomponenter. Avvikende produkter er spesielt merket.

Installasjon

For å sikre den beste funksjonaliteten anbefaler vi at våre produkter installeres av en profesjonell installatør. I tilfelle av klager, vennligst ta kontakt med installatøren din først.

- Rørene må spyles med rent vann for å fjerne sand, metallrester osv. før kranen installeres.
- Systemet må være utstyrt med et tilstrekkelig antall filter for å hindre fremmedlegemer å komme inn.
- Den elektriske tilkoblingen av nettdrevne elektroniske kraner kan kun utføres av autorisert elektriker.
- Vedlikehold og service kan også gjennomføres av en som har fullført: Electra kran skole.

Elektroniske kraner oppfyller kravene i EMC-direktivet 2004/108 / EF.

Beskyttelse i henhold til EN 1717 og vedlikehold i henhold til EN 806-5

Rengjøring av kraner

Rengjør kranen med en svamp eller myk klut med vaskemiddel. Ikke bruk spray flaske. Skyll grundig med lunkent vann og tørk deretter av kranen.

- Utvendige overflater bør rengjøres med nøytral eller litt alkalisk (pH 6-9) flytende rengjøringsmiddel, for eksempel såpevann eller oppvaskmiddel (ikke oppvaskmaskin pulver). Alltid følg vaskemiddel produsentens anvisninger og retningslinjer. Organiske løsemidler , etsende og / eller skuremidler skal ikke benyttes.
- **Advarsel!** Krombelegg tåler ikke fosfor- og klorholdige stoffer. (Det samme gjelder for plastdelene i på alt dusjutstyr).
- **Ikke rengjør kranen med høytrykkspyler.**
- **Rengjøring av perlator:** Skru ut perlator, rengjør med vann, eller erstatte med ny.

Driftsforhold

Frostfare

Kraner og røropplegg forvørigr, må tømmes helt for vann eller lagres et oppvarmet sted, for å unngå skade ved frostfare. (f.eks vinterstid). Flere forhåndsregler kan og bør gjøres for å hindre skader pga av frysing.

Ettgrepsarmatur: Ta ut kassetten
Automatkraner: Demonter kranen, ta ut kassetten og tøm ut vannet av kranen.

Togrepsarmatur: Ta ut overdelen

Berøringsfrie kraner: Ta ut magnetventil

De samme forhåndsregler må også tas ved transport av demonterte brukte kraner når temperaturen er under null grader.

Max temperatur

Kraner og tilhørende utstyr er ikke konstruert for bruk under varmere omgivelser enn maks. + 65 °C.

3. parts utstyr

Ikke koble apparatet utstyrt med en lukkeanordning, f.eks en høytrykk- / eller hageslange med en lukkeinretning , til kranen (f.eks å erstatte strålesameren).

Ejektordysen må brukes når du bruker Bidetta hånddusj.

Vaskemaskinkranen må alltid slås av etter bruk. Hvis vaskemaskinen ikke kan tilbakes tappekranen, da burde forbindelsesrøret (G1/2) stenges med en plugg.

Ogólne warunki gwarancji (ważne w Polsce od dnia 1 stycznia 2017r.)

Przy projektowaniu i produkowaniu wszystkich baterii i akcesoriów firmy Oras dochowano zgodności z odpowiednimi normami EN. Dzięki temu możemy zagwarantować bezawaryjną pracę naszych urządzeń w warunkach określonych w tych normach. Prosimy o przeczytanie, zachowanie oraz stosowanie się do odpowiednich instrukcji użytkowania i konserwacji.

Okres gwarancji liczony jest daty zakupu lub (w przypadku braku dokumentu potwierdzającego zakup) od roku wskazanego na stemplu produkcyjnym na korpusie baterii.

Gwarancja na okres dwóch (2) lat, zgodnie z przepisami dotyczącymi ochrony konsumenta, obejmuje wady produkcyjne i materiałowe. Usterki powstałe w następstwie normalnego zużycia produktu, nieprawidłowej instalacji/obsługi lub niezastosowania się /nieprawidłowego zastosowania się do wskazówek ujętych w instrukcjach użytkowania i konserwacji nie są objęte gwarancją.

Gwarancja na okres pięciu (5) lat ograniczona do funkcjonalnych komponentów używanych w domach prywatnych obejmuje glowice baterii jednocyfrowych, glowice termostatyczne, zawory solenoidalne i sensory. Obejmuje ona wady materiałowe lub produkcyjne glowicy. Firma Oras zapewnia bezpłatną wymianę uszkodzonych podzespołów na nowe. Gwarancja ta nie obejmuje żadnych dodatkowych wydatków. Oras zastrzega sobie prawo do zbadania zgłoszenia reklamacyjnego.

Gwarancja dostępności na okres dziesięciu (10) lat obejmująca podzespoły i części zamienne wszystkich produktów firmy ORAS wyprodukowanych po dniu 1 stycznia 2012 r.

Ograniczenia gwarancji

Opisane warunki gwarancji dotyczą wyłącznie baterii i akcesoriów firmy Oras, w których wykorzystywane są oryginalne części firmy Oras, oraz które są obsługiwane i konserwowane zgodnie z instrukcjami użytkowania i konserwacji. Przy instalowaniu i planowaniu rozmieszczenia baterii oraz przyłączeniu wody należy przestrzegać warunków określonych przez władze lokalne oraz przepisów lokalnych.

Opisane następne gwarancje udzielane przez firmę Oras nie obejmują usterek powstałych w następstwie nieprawidłowego montażu, nieprawidłowej instalacji, czyszczenia, nieprawidłowej obsługi, zaniechania podjęcia odpowiednich prac naprawczych oraz zaniechania wykonywania konserwacji w przypadku zanieczyszczenia wody. Gwarancja nie obejmuje baterii zasilających wykorzystywanych w bateriach elektronicznych.

Gwarancja na sprzedany towar konsumpcyjny nie wyłącza, nie ogranicza ani nie zawiesza uprawnień kupującego, wynikających z obowiązującego w kraju prawa ochrony konsumenta.

Te warunki zostały opracowane na podstawie i będą regulowane i interpretowane zgodnie z prawem obowiązującym w Finlandii.

Szczegółowe informacje dotyczące warunków gwarancji: warranty.oras.com

Powiadomienie o usterkach

Opisane gwarancje mają zastosowanie jedynie wówczas, gdy informacja o wystąpieniu usterki została przekazana firmie Oras lub sprzedawcy. Przy zgłaszaniu usterki należy także wskazać, kiedy dokonano zakupu produktu. Uwaga! Serwis firmy Oras wykonuje naprawę tylko w miejscu, w którym bateria jest zainstalowana. Prosimy nie demontować baterii z instalacji.

Odzyskiwanie materiałów

Podstawowym materiałem użytym do produkcji baterii jest mosiądz, który z założenia może być wielokrotnie użyty. Najlepszą drogą pozbycia się nie używanych już produktów jest oddanie ich na złom. Wszystkie tworzywa sztuczne używane przez Oras są termoplastyczne, a przez to w pełni podlegają przetworzeniu. Wszystkie materiały używane do pakowania są w pełni odzyskiwalne, mogą być powtórnie wykorzystane. Baterie zasilające i części elektroniczne powinny być używane przez wyspecjalizowaną firmę.

Zgodnie z Dyrektywą Unii Europejskiej dotyczącą sprzętu elektrycznego i elektronicznego oraz stosownymi przepisami wprowadzającymi ją w życie we wszystkich krajach UE, zużyty sprzęt elektryczny oraz elektryczny, nie może być umieszczany łącznie z innymi odpadami pochodzącymi z gospodarstwa domowego.

W celu właściwej utylizacji szkodliwych substancji oraz recyklingu, użytkownik jest zobowiązany do oddania zużytego produktu w punkcie selektywnego zbierania zużytego sprzętu elektrycznego i elektronicznego. W celu uzyskania

szczegółowych informacji należy zwrócić się do lokalnych punktów zbiórki, władz lokalnych lub sprzedawcy detalicznego.

Właściwe postępowanie ze zużytym sprzętem elektrycznym i elektronicznym przyczynia się do uniknięcia szkodliwych dla zdrowia ludzi i środowiska naturalnego konsekwencji, wynikających z obecności składników niebezpiecznych oraz niewłaściwego składowania i przetwarzania takiego sprzętu.

Obowiązek informacyjny zgodnie z przepisami REACH: Zawartość ołowiu w armaturze sanitarnej Oras wynosi ponad 0,1% w elementach mosiężnych. Produkty te są specjalnie oznakowane.

Instalacja

Aby zapewnić najlepszą funkcjonalność, zalecamy instalowanie naszych produktów przez profesjonalnego instalatora. W przypadku reklamacji skonsultuj się najpierw z instalatorem.

- Instalacja cwu musi być wcześniej przepłukana i wyposażona w wystarczającą ilość omulaczy i filtrów, aby zapobiec przedostawaniu się obcych ciał do instalacji;
- Instalacja musi zostać przeprowadzona zgodnie z instrukcją, a zamontowane baterie muszą być odpowiednio dobrane do warunków ich użytkowania.
- Podłączenie elektryczne do zasilanych z sieci baterii elektronicznych może być wykonywane wyłącznie przez wykwalifikowanego elektryka.
- Instalacja, serwis i regulacja baterii elektronicznych może być wykonywana wyłącznie przez serwis firmy Oras lub wykwalifikowanych instalatorów przeszkolonych przez firmę Oras.

Baterie elektroniczne spełniają wymagania Dyrektywy EMC 2004/108/IEY.

Zaleca się przestrzeganie przepisów zawartych w normach EN 1717 i EN 806-5

Czyszczenie

Baterię należy czyścić gąbką lub delikatną szczerką razem ze środkiem czyszczącym. Uwaga! Nie używać rozpylaczy w butelkach! Słukać kilkakrotnie ciepłą wodą. Wytrząść baterię do sucha.

- Powierzchnie zewnętrzne należy czyścić stosując obojętny lub lekko alkaliczny (pH 6-9) płynny środek czyszczący, np. roztwór mydła i różne płyny do zmywania (ale nie proszek do prania). Zawsze należy się stosować do wskazówek producenta i zaleceń dotyczących stężenia pH. Rozpuszczalniki organiczne, środki chemiczne powodujące korozję i/lub zadrapania nie mogą być stosowane.
- Otrzeźnienie! Powierzchnia baterii pokrytej chromem nie toleruje związków kwasu fosforowego i związków chloru. (To samo dotyczy wszystkich części natrysku wykonanych z tworzyw sztucznych).
- Nie czyścić baterii przy pomocy wysokociśnieniowej myjki.
- Czyszczenie aeratora: wykręć aerator, przemyj wodą lub wymień na nowy.

Warunki użytkowania

Ryzyko zamrażania

Jeżeli bateria jest zainstalowana w miejscu, gdzie woda pozostająca w niej może zamrznąć (np. w nieogrzewanych podczas zimy pomieszczeniach) bateria musi zostać opróżniona z wody. Powinno się również przedsięwziąć inne środki ostrożności w celu uniknięcia zniszczenia baterii powodowanego zamrażaniem np.:

- Baterie jednocyfrowe: Wyjąć glowicę ceramiczną;
- Baterie termostatyczne: Wyjąć glowicę termostatyczną i wylać wodę z baterii;
- Baterie dwucyfrowe: Wyjąć elementy sterujące baterią;
- Baterie elektroniczne: Wyjąć zawór solenoidalny.

Uwaga! Środki ostrożności muszą być także przedsięwzięte podczas transportu używanych baterii w temperaturze bliższej 0 stopni.

Maksymalna temperatura

Baterie i akcesoria nie są przeznaczone do użycia w wysokich temperaturach, maks. +65°C. To samo ograniczenie temperatury odnosi się do czyszczenia.

Dodatkowe akcesoria

Do baterii, w miejsce perlatora lub regulatora strumienia (miejsce wypływu wody), nie należy podłączać urządzeń wyposażonych w zawory zamykające np. zawory pod dużym ciśnieniem - wysokociśnieniowej myjki lub zmywarki do butelek (np. nie należy zmieniać aeratora).

Struktura ejektora musi być wykorzystana podczas używania rączki natrysku Bidetta z przełącznikiem.

Zawór pralkowy musi być zawsze zamknięty po każdym użyciu pralki. Jeżeli pralki nie można podłączyć do kurka czepalnego, wówczas należy użyć przewodu połączeniowego z gwintem 1/2".

Garantia Hansa (válida desde 1.1.2012 na Europa)

Todas as torneiras e acessórios Hansa são concebidos e fabricados de acordo com as normas EN e o fabrico sem falhas é garantido sob condições apropriadas especificadas na norma EN. Pedimos a gentileza de ler, seguir e arquivar as instruções contidas no produto.

Dois (2) anos de garantia cobrem defeitos de fabrico de acordo com a legislação local de proteção ao consumidor e é válido por dois (2) anos a partir do dia da compra ou caso não haja documentação de compra (factura), dois (2) anos desde o selo de fabrico (ano e mês).

Cinco (5) anos de garantia limitada para componentes funcionais utilizados em residências particulares: cartucho monocomando, cartucho de torneira termostática, válvula magnética e sensor. A garantia cobre falhas de material ou de fabrico, mas não despesas adicionais. A Hansa reserva-se o direito de investigar o caso.

Dez (10) anos de garantia de disponibilidade para componentes funcionais e peças sobressalentes de todos os produtos Hansa fabricados após 1.1.2012.

Limites da garantia

Estes termos de garantia são dados somente para torneiras Hansa e acessórios que são equipados com peças Hansa originais e mantidos e usados de acordo com o manual de uso e manutenção. As estipulações das autoridades locais e da legislação devem ser cumpridas dentro das instalações de torneiras e acessórios de água e no planeamento das mesmas.

A garantia Hansa não se aplica a falhas causadas por montagem incorreta, instalação incorreta, limpeza incorreta, uso incorreto, falta de reparação, falta de serviço ou de impurezas na água. A garantia não se aplica a baterias em torneiras eletrônicas.

A garantia não limita os direitos estatutários do consumidor nos termos da legislação nacional aplicável e obrigatória de proteção ao consumidor.

Estes termos e condições foram feitos sob e serão regidos e interpretados de acordo com as leis da Finlândia. Outras informações para garantia: warranty.hansa.com

Anúncio de falha

A garantia aplica-se apenas às falhas que são anunciadas à Hansa ou ao revendedor dentro de um tempo razoável (normalmente 14 dias), a partir da descoberta da falha. O procedimento de reparação deve ser acordado com a Hansa ou seu representante.

Reciclagem de materiais

O latão é o principal material usado no fabrico de torneiras e é reciclável. A melhor maneira de descartar produtos obsoletos no final do seu ciclo de vida é enviá-los para um local de reciclagem de metal. Todos os plásticos utilizados nas torneiras Hansa são termoplásticos e recicláveis. Todos os materiais de embalagem usados pela Hansa são adequados para reciclagem. As baterias e peças eletrônicas não devem ser descartadas com resíduos gerais, mas devem ser separadas e entregues em pontos de recolha específicos.

Obrigação de informar de acordo com o regulamento REACH: O teor de chumbo nas torneiras sanitárias da Hansa excede o limite de 0,1% do peso nos componentes de latão. Produtos com componentes de latão com menor teor de chumbo são especialmente marcados.

Instalação

Para garantir a melhor funcionalidade, recomendamos que os nossos produtos sejam instalados por um instalador profissional. Em caso de reclamações, por favor consulte primeiro o seu instalador.

- A tubagem deve ser cuidadosamente enxaguada e equipada com um número suficiente de bloqueadores de resíduos antes da instalação da torneira ou válvula.
- O procedimento correto de instalação deve ser seguido e o equipamento deve ser ajustado de acordo para atender às condições de uso.
- A ligação elétrica de torneiras eletrônicas operadas pela rede somente pode ser realizada por um electricista qualificado.
- A manutenção e o ajuste também podem ser realizados por uma pessoa adequadamente qualificada, por ex. Alguém que tenha concluído o Programa Electra Training School.

As torneiras eletrônicas cumprem os requisitos da Diretiva EMC 2004/108 / EY.

Proteção de acordo com EN 1717 e manutenção de acordo com EN 806-5

Limpeza

Limpe a torneira com uma esponja ou pano macio humedecido com solução detergente. Não use um frasco de spray! Lave a torneira com bastante água morna. Finalmente limpe a torneira seca.

- As superfícies externas devem ser limpas com líquido de limpeza neutro ou levemente alcalino (pH 6-9), como solução de sabão ou detergente líquido (não lava-louças). Siga sempre as instruções do fabricante do detergente e as orientações de dosagem. Solventes orgânicos, agentes corrosivos e / ou depuradores ou dispositivos não devem ser usados.
- Aviso! O revestimento cromado não resiste a ácidos fosfóricos e compostos de cloro. (O mesmo se aplica a todas as partes plásticas de acessórios para chuveiros).
- Não limpe a torneira com uma lavadora de alta pressão.
- Emulsor: remova o emulsor, limpe com água ou substitua por um novo.

Condições de funcionamento

Risco de congelamento

As torneiras ou outros acessórios instalados num local onde a água deixada no seu interior pode congelar (por exemplo, durante o inverno em alojamento de férias sem aquecimento) devem ser esvaziados ou armazenados num local aquecido durante o período frio. Devem ser tomadas precauções para evitar danos causados pelo congelamento, por ex.

Torneiras monocomando: retire o cartucho.

Torneiras automáticas: retire o cartucho e esvazie a água da torneira.

Torneiras de dois manipulados: retire a cabeça da torneira.

Torneiras eletrônicas: solte a válvula solenóide.

Precauções também devem ser tomadas ao transportar uma torneira usada em temperaturas abaixo de zero.

Temperatura máxima

Torneiras e acessórios não são adequados para uso em ambientes quentes, max. + 65 ° C. A mesma limitação de temperatura também se aplica à limpeza.

Acessórios de terceiros

Não ligue nenhum aparelho equipado com um dispositivo de fecho, por ex. uma lavadora de alta pressão de garrafas ou a mangueira de jardim com um dispositivo de fecho, para a torneira (por exemplo, para substituir o emulsor).

A estrutura ejetora deve ser usada ao usar o duche higiênico Bidetta com um gatilho.

A válvula da máquina de lavar roupa deve sempre ser desligada após o uso. Se a máquina não puder ser ligada à torneira, então o tubo de ligação (G1/2) deve estar bem fechado.

Termeni de garanție Hansa (validați la 01.01.2012 pentru Europa)

Toate bateriile și accesoriile Hansa sunt proiectate și fabricate la standardele EN, fiind astfel garantată funcționarea ireproșabilă, în aceste standarde. Vă rugăm să citiți cu atenție și să respectați instrucțiunile de exploatare și întreținere care însoțesc produsul achiziționat.

Doi (2) ani garanție este valabilă timp de doi (2) ani de la data achiziționării sau, în cazul în care nu există nicio documentație referitoare la această dată, doi (2) ani de la anul/luna indicată pe ștampila de fabricație (anul/luna de pe ștampila + doi ani) aplicată pe produs.

Cinci (5) ani garanție pentru componentele funcționale menționate mai jos, pentru toate produsele Hansa. Această garanție se aplică pentru următoarele componente funcționale încorporate în bateriile sanitare: cartușul bateriilor cu monocomandă, valva solenoidală, senzorul și cartușul termostatic. Această garanție de cinci (5) ani este valabilă pentru defecte de material sau fabricație în ceea ce privește această garanție nu acoperă alte cheltuieli suplimentare.

Zece (10) ani garanție de disponibilitate pentru componente funcționale și piese de schimb pentru toate produsele Hansa

Limitarea garanției

Aceste condiții de garanție sunt valabile numai pentru baterii sanitare și accesorii Hansa care sunt echipate cu componente originale Hansa și care sunt întreținute și exploatare în conformitate cu manualul de exploatare și întreținere. Trebuie respectate normele impuse de autoritățile locale și de legislație în ceea ce privește proiectarea și exploatarea instalațiilor sanitare și a celor de alimentare cu apă.

Garanțiile Hansa menționate mai sus nu se aplică în cazul defecțiunilor cauzate de asamblare incorectă, instalare neconformă, curățire neadecvată (prin frecare sau prin utilizare de agenți de curățire corozivi), exploatare neconformă, lipsa reparațiilor sau servisirii în caz de apă impurificată (suspensii, calcar, chimicale, etc.). Garanția nu se aplică în cazul bateriilor electrice încorporate în bateriile sanitare electronice.

Aceste garanții nu limitează drepturile statutare ale consumatorului prevăzute în Legea națională de Protecție a Consumatorului, aplicabilă și în vigoare.

Pentru informații suplimentare sau în caz de nelămuriri referitoare la garanțiile Hansa, contactați vânzătorul sau Hansa.

Anunțarea defecțiunilor

Aceste garanții se aplică numai pentru defecțiunile care sunt aduse la cunoștință Hansa sau a vânzătorului într-un termen rezonabil de timp (în mod normal, într-un interval de timp de 14 zile) de la data constatării defecțiunii. Mai mult, împreună cu Hansa sau reprezentanții săi, trebuie stabilită de comun acord modalitatea de remediere / reparare a defecțiunii.

Reciclarea materialelor

Principalul material utilizat la fabricarea bateriilor sanitare Hansa este alama care, în sine, este un material reciclat. Cea mai bună modalitate de reciclare a produselor îmbătrânite la terminarea ciclului lor de viață este aceea de a le preda la un centru de reciclare a materialelor metalice.

Toate materialele sintetice utilizate de către Hansa sunt materiale termorezistente și astfel pot fi reciclate.

Bateriile electrice și componentele electronice nu se vor arunca împreună cu deșeurile tradiționale. Acestea trebuie sortate și predate unor puncte specifice de colectare.

Informare obligatorie în concordanță cu regulamentul REACH: Continutul de plumb din alama folosită la fitingurile sanitare Hansa este mai mare de 0,1%. Produsele care au un conținut mai mare de plumb sunt marcate special.

Instalarea

Pentru a va asigura ca produsele noastre functioneaza in parametri optimi, recomandam montarea lor de catre firme specializate. In cazul unor reclamatii va rugam sa luati legatura prima data cu firma care a asigurat montajul.

- Inainte de instalarea bateriilor sanitare și a robinetelor, coloanele trebuie spălate și echipate cu obturatoare pentru impurități
- Instalarea corectă este în mod deosebit importantă la funcționarea bateriilor sanitare și robinetelor
- Conectarea la rețeaua electrică poate fi executată numai de către un electrician autorizat.
- Întreținerea și reglarea pot fi efectuate și de către o persoană calificată în Programul de Școlarizare și Training Electra.

Bateriile sanitare electronice îndeplinesc directivei EMC 2004/108/EY.

Protecție conform EN 1717 și întreținere în conformitate cu EN 806-5

Curățirea

Curățiți bateriile cu un burete sau cu o cârpă moale umezită în lichid. **Notă!** Nu utilizați un recipient tip spray! Spălați bateria sanitară cu suficientă apă caldă. La final, uscați prin ștergere

- Curățirea exterioară trebuie efectuată utilizând agenți de curățire lichizi neutri sau slab alcalini (pH 6-9), ex soluția de săpun sau alte lichide de spălare (nu lichid de mașină de spălat vase). Respectați instrucțiunile producătorului detergentului utilizat. Solvenții organici, agenții abrazivi sau agresivi nu trebuie utilizați.
- Atenție! Stratul cromat aplicat pe produs nu rezistă la acidul sulfuric sau compuși ai clorului. (la fel și componentelor din material sintetic încorporate în seturile de duș).
- Nu curățați bateria sanitară cu dispozitive de spălare sub presiune.
- **Curățirea aeratorului:** îndepărtați aeratorul, curățați-l sub jet de apă, sau înlocuiți-l cu unul nou.

Risc de îngheț

Bateriile sanitare sau alte fitinguri pentru apă, instalate în locuri în care apa din interiorul acestor echipamente poate îngheța, trebuie golite sau să fie depozitate în incinte încălzite pe perioada sezonului rece. Măsurile de precauție cum ar fi

Baterii cu monocomandă: extrageți cartușul

Baterii automate: extrageți cartușul și golii apă rămasă în corpul bateriei

Baterii cu dublă comandă: extrageți piesele de cap

Baterie electronică: extrageți valva

Notă! Măsurile de precauție trebuie luate și în cazul transportării unei baterii sanitare uzate la temperatură sub zero.

Temperaturi maxime

Bateriile sanitare și accesoriile sunt concepute pentru temperaturi de max. +65°C. Aceleași temperatură sunt valabile și pentru procedurile de curățire.

Atenție!

Nu conectați echipament dotat cu dispozitiv de închidere, ex. dispozitiv de spălare sub presiune furtunul de grădini dotat cu dispozitiv de închidere (de ex. prin înlocuirea aeratorului). Pentru para de duș Bidetta, trebuie folosită structura cu ejector.

Ventilul de racordare a mașinii de spălat trebuie închis întotdeauna după utilizare. În cazul în care mașina de spălat nu poate fi conectată la bateria sanitară, coloana de legătură (G½) trebuie închisă.

Условия гарантии Oras (действуют с 1.1.2012)

Все смесители и аксессуары Oras разработаны и производятся согласно стандартам Евросоюза, и гарантируют безупречную работу в условиях, нормируемых стандартами ЕС. Мы убедительно просим Вас ознакомиться с прилагаемой к изделию инструкцией и следовать ей.

Два (2) года гарантии. Гарантийный срок на продукцию Oras составляет 2 года с даты покупки, а в случае невозможности её установления – с даты выпуска, указанной на корпусе смесителя.

Пять (5) лет гарантии на нижеперечисленные детали изделий Oras

Данная дополнительная гарантия распространяется только на следующие детали смесителей, и только в случае использования смесителя в бытовых (домашних) условиях: однорычажный картридж, термостатический картридж, электромагнитный клапан и датчик бесконтактного смесителя. По истечении двухлетнего срока гарантии на смеситель, но в течение пятилетнего срока гарантии на деталь Oras бесплатно предоставляет новую деталь для замены, а работы по её замене и прочие дополнительные расходы оплачивает клиент. Компания Oras оставляет за собой право расследования случая.

Десять (10) лет гарантированного обеспечения запасными частями и компонентами для всех изделий Oras, произведённых после 01.01.2012.

Ограничения по гарантии

Данные условия гарантии распространяются на изделия и комплекты изделий, состоящие только из оригинальных деталей Oras, установленные и используемые согласно прилагаемой к изделию инструкции. При монтаже изделий Oras должны соблюдаться действующие в стране строительные и законодательные нормы.

Гарантия не распространяется на неисправности, вызванные неправильным монтажом и эксплуатацией, чисткой абразивными или едкими веществами, некавалифицированным ремонтом, загрязнением воды или повреждением водопровода. Гарантия не распространяется на батарейки, азраторы и другие расходные материалы.

Данные условия гарантии не ограничивают права потребителей, установленные действующим законодательством. Дополнительная информация о гарантии: warranty.oras.com.

Извещение о неисправности

В случае обнаружения неисправности, а также по всем вопросам, касающимся гарантийного и послгарантийного обслуживания изделия Oras, рекомендуем обращаться в авторизованные сервисные центры Oras или к представителю Oras.

Утилизация материалов

Производство смесителей используется главным образом латунь, которая пригодна для повторного использования. Лучшим способом утилизации вышедших из употребления смесителей является их сдача на пункт сбора металлолома. Все виды пластика, используемого в смесителях Oras, а также упаковочные материалы, пригодны для повторной переработки. Батарейки и электронные части нельзя утилизировать как обычный мусор, они подлежат сортировке и сдаче на специальные пункты сбора.

Обязательное информирование согласно регламенту REACH: содержание свинца в латунных частях сантехнической арматуры Oras составляет более 0,1%, если иное не указано в маркировке продукта.

Установка

В целях обеспечения наилучшей функциональности мы рекомендуем пользоваться услугами профессиональных монтажников для установки нашей продукции. В случае возникновения

- Подводящие трубопроводы перед установкой смесителя должны быть тщательно промыты и снабжены достаточным количествомстойников, препятствующих проникновению мусора и посторонних предметов в трубы.
- Обязательно следуйте правильной процедуре установки. Оборудование

должно быть отрегулировано согласно условиям эксплуатации.

- Электрическое подключение бесконтактных смесителей с питанием от сети должно выполняться только квалифицированным электриком.
- Обслуживание, ремонт и настройка должна выполняться лицами, имеющими необходимую квалификацию – например, специалистами, прошедшими обучение по смесителям Electra.

Электронные смесители соответствуют требованиям по электромагнитной совместимости EMC Directive 2004/108/EY, требованиям EN 1717 по защите систем питьевого водоснабжения и требованиям по обслуживанию EN 806-5.

Чистка

Очищайте смеситель губкой или мягкой тканью с мыльным раствором. Не используйте распылитель! Затем ополосните смеситель тёплой водой и протрите насухо.

- Внешние поверхности следует чистить нейтральными или слабощелочными (pH 6-9) жидкими моющими средствами, такими, как мыльный раствор или жидкость для мытья посуды (но не для посудомоечных машин!). Всегда следуйте инструкции производителя мощного средства. Использовать органические растворители, едкие и абразивные средства запрещается.
- Внимание! Хромовое покрытие не выдерживает воздействия кислот и хлорсодержащих соединений. Это же относится ко всем пластиковым частям душевых гарнитуров.
- Не используйте мойки высокого давления.
- Чистка азратора: снимите азратор и промойте его водой, либо замените его на новый.

Условия эксплуатации

Опасность замораживания

Если смеситель или другой сантехнический прибор устанавливается в помещение, где остающаяся внутри прибора вода может замёрзнуть (например, зимой в неотапливаемых летних помещениях), обязательно следите за тем, чтобы в смесителях и в отдельных его частях не оставалась воды, либо хранить их в холодное время в отапливаемых помещениях. Для предотвращения повреждений от замерзания, необходимо осуществить различные защитные меры:

<i>Однорычажные смесители:</i>	извлеките картридж.
<i>Термостатические смесители:</i>	извлеките термостатический картридж и слейте воду из смесителя.
<i>Двухзахватные смесители:</i>	извлеките кран-бухсы.
<i>Электронные смесители:</i>	извлеките электромагнитный клапан.

Внимание! Используйте эти же меры защиты, если бывший в использовании смеситель транспортируется или хранится при температуре ниже 0°.

Максимальная температура

Смесители и аксессуары не подходят для установки в жаркие помещения с температурой выше +65°С. Те же температурные ограничения касаются условий чистки смесителя.

Сторонние узлы и аксессуары

К смесителю (например, на место азратора) нельзя подключать какие-либо устройства с отсечкой, например промывочные устройства и устройства для мытья стеклотары или садовый шланг с возможностью отключения воды.

Гигиеническую лейку Bidetta с запорным клапаном допускается использовать только со смесителями, оборудованными эжектором. Использование лейки Bidetta под давлением не допускается, т.к. это может привести к повреждению лейки и затоплению.

Клапан посудомоечной машины следует закрывать всякий раз после использования машины. Если к смесителю не подключена стиральная или посудомоечная машина, на выход клапана (G1/2) необходимо установить заглушку.

Oras allmänna garantivillkor (gäller fr.o.m. 2012-01-01 i Europa)

Oras blandare och tillbehör designas och produceras enligt gällande EU-standarder och garanterar felfri funktion vid de förhållanden som anges i dessa EU-standarder. Vi ber dig läsa, följa och spara de instruktioner som medföljer produkten.

Två (2) års garanti vi ersätter tillverknings- och materialfel under två (2) år i enlighet med konsumentköplagen. Garantin gäller i två (2) år från inköpsdatumet eller, i fall där det inte finns någon dokumentation som styrker köpet, två (2) år från året/månaden som anges på blandarens tillverkningsstämpel (år/månad för stämpel + två år).

Fem (5) års begränsad garanti för funktionskomponenter i produkter som används för privat bruk: reglerkassetten för ettgreppsblandare, termostatdel för termostatblandare samt pilotventil och sensor för beröringsfria blandare. Garantin täcker material och tillverkningsfel men inte tilläggskostnader. Oras förbehåller sig rätten att undersöka ärendet.

Tio (10) års tillgänglighetsgaranti för funktionskomponenter och reservdelar gäller för alla Oras produkter tillverkade efter 2012-01-01

Garantibegränsningar

Garantivillkoren gäller endast Oras blandare och tillbehör försedda med originaldelar från Oras och som har använts i enlighet med installations- och skötselvanisningen. Planering, rördragnin samt installation av blandare och dess tillbehör ska vara fackmannamässig utförda och överensstämma med Boverkets Byggregler för att garantin ska gälla.

De ovan nämnda garantierna gäller inte fel som orsakats av felaktig installation, felaktig rengöring, felaktig användning, uteblivet underhåll/service eller vid orenheter i vattnet. Garantin gäller inte för batterier i elektroniska blandare.

Våra garantier begränsar inte kundens lagstadgade rättigheter i enlighet med tillämpliga nationella lagar om konsumentskydd.

Garantivillkoren har utformats i enlighet med och ska regleras samt tillämpas enligt Finsk lag. Läs mer om våra garantivillkor på www.oras.com

Felanmälan

Garanti gäller enbart för fel som anmäls till Oras eller återförsäljaren i rimlig tid (normalt inom 14 dagar), från det att felet upptäckts. Garantitgård skall avtalas med Oras eller Oras representant.

Återvinning av material

Oras blandare består till största delen av återvunnen mässing. Uttjanta produkter lämnas med fördel till metallåtervinning. Den plast som används i Oras blandare och dess tillbehör är återvinningsbar. Allt förpackningsmaterial som Oras använder är återvinningsbart. Batterier och elektronik skall lämnas till batteriinsamling respektive återvinning.

Informationsskyldighet enligt REACH-förordningen: Proportionen by i Oras sanitet armaturers mässings komponenter är över 0,1%. Avvikande produkter är speciellt märkta.

Installation och service

För att säkerställa bästa funktionalitet rekommenderar vi att en auktoriserad installatör installerar våra produkter. Vid frågor rörande installationen, kontakta din installatör i första hand.

- Rörsystemet skall rensas och rengöras samt vid behov förses med smutsfilter innan blandare installeras.
- Vid en eventuell hållning i vägg med tätskitt ska momentet utföras enligt gällande branschregler.
- Vid installation av produkter med kopplingar förlagda i vägg ska Svenska byggregler följas gällande utbytbart/inspektionsbarhet samt indikation av ett eventuellt läckage.
- En fast installation skall utföras av behörig elektriker.
- Eventuell Service och/eller injustering av en elektronisk produkt kan utföras av person med kännedom om Oras elektroniska produkter.

Elektroniska blandare uppfyller EMC direktiv 2004/108/EY

Skydd enligt EN 1717 och underhåll enligt EN 806-5

Rengöring

Rengör din blandare med en mjuk trasa eller svamp som fuktats med rengöringsmedel. Använd ej spray! Skölj av med rent, ljummet vatten och torka slutligen av med en mjuk trasa.

- Vid rengöring skal neutrala eller lätt basiska (pH 6-9) flytande rengöringsmedel användas, exempelvis tvålösningar och diskmedel (ej maskindiskmedel). Följ alltid tillverkarens användnings- och doseringsanvisningar. Organiska lösningsmedel, frätande rengöringsmedel eller rengöringsmedel med slipmedel får ej användas.
- **Varning!** En förkromad yta får inte utsättas för fosforsyror eller klorföreningar (detsamma gäller för plastdetaljer i exempelvis duschtutrustning).
- **Högtryckstvätt får ej användas vid rengöring.**
- **Strålsamlare:** Tag loss strålsamlaren och rengör med vatten. Vid behov, byt till en ny strålsamlare.

Frysrisk

Om blandare installeras där frysrisk föreligger (t.ex. i fritidshus som står ouppvärmt under vinterhalvåret etc.) måste den tömmas på vatten eller demonteras och förvaras i uppvärmt utrymme under vinterperioden.

Ettgreppsblandare: Demontera reglerkassetten.

Termostatblandare: Demontera termostatdelen och töm blandaren på vatten.

Tvågreppsblandare: Demontera kranöverdelarna.

Elektronisk blandare: Förvaras i uppvärmt utrymme under vinterperioden.

Vattentutkastare: På vattentutkastare utan dräneringsventil ska slang demonteras då frysrisk föreligger.

Dessa åtgärder måste även följas vid transport av vattenfylld blandare vid temperaturer under 0°.

Värmetålighet

Blandare och dess tillbehör är inte lämpliga för utrymmen där temperaturen kan överstiga 65°C, detsamma gäller vid rengöring.

Tillbehör från tredje part

Anslut inte någon typ av slang med avstängningsmekanism till blandarens strålsamlare.

Bidetta handdusch med avstängning får endast användas tillsammans med produkter med ejektorfunktion.

Avstängningsventil för disk och tvättmaskin skall alltid stängas efter användning. Om disk/tvättmaskin ej ansluts ska blandarens anslutningsrör pluggas med bifogad plugg enl. anvisning.

Garancija Hansa (velja 1.1.2012 v Evropi)

Vse Hansa armature in dodatki so oblikovani in izdelani v skladu z EN standardi in zagotavljajo brezhibno delovanje pod ustreznimi pogoji določenimi v EN-standard. Prijazno vas prosimo, da preberete, upoštevate in shranite navodila priložena k izdelku.

Garancija dve (2) leti krije napake izdelave in materiala v skladu z lokalnim zakonom o zaščiti potrošnika in velja dve (2) leti od dneva nakupa in primeru, da ni dokaza o nakupu (računa), pa dve (2) leti od datuma na žigu izdelave.

Omejena garancija pet (5) let na funkcionalne komponente v uporabi v privatnem gospodinjstvu: enoročna mešalna kartaša, kartaša s termostatsko pipo, magnetni ventil in senzor. Garancija krije napako v materialu ali izdelavi ne pa tudi dodatnih stroškov. Hansa si pridržuje pravico, da primer raziše.

Deset (10) letna garancija razpoložljivosti na funkcionalne komponente in rezervne dele vseh Hansa izdelkov izdelanih po 1.1.2012.

Omejitve garancije

Pogoji garancije so izdani samo za Hansa armature in dodatke, ki so opremljeni z originalnimi Hansa deli in vzdrževani in uporabljeni v skladu z navodili o uporabi in vzdrževanju. Določbe lokalnih oblasti in zakonodaje morajo biti izpolnjene med vgradnjo in načrtovanjem pip in raznih armatur.

Hansa garancija ne velja za napake povzročene zaradi napačne sestave, napačne montaže, napačnega čiščenja, napačne uporabe, pomanjkanja vzdrževanja, pomanjkanja popraviljanja ali nečistoče v vodi. Garancija ne velja za baterije in elektronske armature.

Garancija ne omejuje potrošnikovih zakonskih pravic po obvezni in nacionalni zakonodaji o varstvu potrošnikov.

Ti pogoji so določeni v skladu z zakoni Finske in se razlagajo v skladu z njimi. Več informacij o garanciji: warranty.hansa.com.

Najava napake

Garancija velja samo za napake, ki se javijo Hansa ali prodajalcu v sprejemljivem času (navadno v roku 14 dni) od odkritja napake. Postopek popravila mora biti potrjen s strani Hansa ali zastopnika.

Recikliranje materialov

Glavni uporabljeni material za izdelavo armatur je medenina, ki se reciklira. Najboljši način za odstranitev zastarelih produktov na koncu njihove uporabnosti je, da se odvržejo na odpad za recikliranje kovin. Vsa plastika, uporabljena v armaturah Hansa je termoplastika, ki se reciklira. Hansa uporablja embalažni material, ki se reciklira. Baterije in elektronski deli se ne smejo odlagati med mešane odpadke ampak jih je potrebno sortirati in dostaviti na posebna zbirališča.

Obvezno obvestilo na podlagi uredbe REACH: Vsebnost svinca v vodovodnem materialu presega mejo 0.1 odstotka teže medeninastih komponent. Izdelki z medeninastimi komponentami z manjšo vsebnostjo svinca so posebno označeni.

Montaža

Za zagotavljanje najboljše funkcionalnosti predlagamo, da so naši izdelki nameščeni s strani profesionalnega inštalaterja. V primeru pripomb prosimo, da se najprej posvetujete s svojim inštalaterjem.

- Cevi morajo biti skrbno oprane in opremljene z dovoljšnjim številom blokorjev blata pred montažo pipe ali ventila.
- Upoštevajte pravičen postopek montaže in ustrezno prilagodite opremo pogojem uporabe.
- Električno povezavo z omrežjem povezanih elektronskih armatur mora namestiti usposobljen električar.
- Servisiranje in nastavitve lahko izvede tudi ustrezno usposobljena oseba, npr. kdor je opravil usposabljanje iz elektro področja.

Elektronske armature izpolnjujejo zahteve EMC Direktive 2004/108/EY.

Zaščita v skladu z EN 1717 in vzdrževanje v skladu z EN 806-5.

Čiščenje

Čistite armature z gobo ali mehko krpo namočeno v raztopino detergenta. Ne uporabljajte razpršila! Sperite armaturo z veliko navadne, mlačne vode. Obrišite armaturo s suho krpo.

- Zunanje površine morajo biti očiščene z uporabo nevtralnih ali rahlo alkalnih (pH 6-9) tekočih čistil, kot na primer milo ali detergent (ne prašek za pomivalni stroj). Vedno upoštevajte navodila proizvajalca detergenta in priporočila za doziranje. Ne uporabljajte organskih topil, jedkih in/ali abrazivnih sredstev ali naprav.
- Opozorilo! Kromirane površine niso odporne na fosforno kislino in klorove spojine. (Enako velja za vse plastične dele pršnih sistemov.)
- Ne čistite armatur z visokotlačnim čistilcem.
- Perlator: Odstranite perlator, operite z vodo ali zamenjajte z novim.

Pogoji delovanja

Nevarnost zamrzovanja

Pipe ali druge vodovodne armature nameščene na mestu, kjer obstaja možnost zamrznitve vode v notranjosti cevi (npr. pozimi ali v neogrevanih počitniških prostorih) morajo biti izpraznjene ali shranjene v ogrevanem prostoru med mrzlim obdobjem. Ukrepajte previdnostno, da preprečite škodo povzročeno zaradi zamrzovanja, npr.

Enoročna armatura: Odstranite kartašo.

Senzorska armatura: Odstranite kartašo in izpraznite vodo iz armature.

Dvoročna armatura: Odstranite keramično kartašo.

Elektronska armatura: Odstranite magnetni ventil.

Ukrepajte previdnostno tudi pri prevozu rabljene armature v temperaturah pod ničlo.

Najvišja temperatura

Armature in dodatki niso primerni za uporabo v vročem okolju nad +65°C. Enaka omejitev temperature velja tudi pri čiščenju.

Dodatna oprema tretje osebe

Ne povežite naprav opremljenih z zapornim ventilom, npr. visokotlačni čistilec steklenic ali vrtna cev z zapornim ventilom z armaturo (npr. kot nadomestek za perlator).

Pri uporabi intimne ročke s sprožilcem uporabljajte fiksno strukturo.

Ventil pralnega stroja vedno izključite po uporabi. Če pralnega stroja ni možno povezati z armaturo je potrebno zapreti priključno (G1/2) cev.

Záruka Hansa (platná 1. 1. 2012 v Európe)

Všetky batérie a príslušenstvo Hansa sú skonštruované a vyrobené podľa noriem EN a bezchybné fungovanie je zaručené na základe príslušných podmienok stanovených v norme EN. Dovoľujeme si vás požiadať, aby ste si prečítali, dodržiavali a uchovávali pokyny priložené k výrobku.

Záruka na dva (2) roky platí na chyby vyhotovenia a materiálu v súlade s miestnym zákonom o ochrane spotrebiteľov, a to na dva (2) roky odo dňa kúpy, alebo ak nie je k dispozícii doklad o nákupe (potvrdenka), dva (2) roky od roku a mesiaca uvedeného na výrobné pečiatke.

Obmedzená záruka na päť (5) rokov na funkčné diely používané v súkromných domácnostiach: kartuša jednopólovej zmiešavacej batérie, termostat termostatickej batérie, magnetický ventil a senzor v elektronických batériách. Záruka platí na chyby materiálu alebo vyhotovenia, nie však na ďalšie výdavky spojené s opravou. Hansa si vyhradzuje právo prešetriť daný prípad.

Záruka dostupnosti na desať (10) rokov na funkčné diely a náhradné diely všetkých výrobkov Hansa vyrobených po 1. 1. 2012.

Obmedzenie záruky

Tieto záručné podmienky platia iba na batérie a príslušenstvo Hansa vybavené originálnymi dielmi Hansa a udržiavané a používané v súlade s návodom na použitie a údržbu. Pri inštalácii batérií a vodovodných armatúr a pri jej plánovaní sa musia dodržiavať ustanovenia miestnych úradov a zákonov.

Záruka Hansa neplatí na chyby spôsobené nesprávnou montážou, nesprávnou inštaláciou, nesprávnym čistením, nesprávnym používaním, zanedbávaním opráv, zanedbávaním servisu alebo nečistotami vo vode. Záruka neplatí na monočlánky v elektronických batériách.

Záruka neobmedzuje zákonné práva spotrebiteľa vyplývajúce z platného a záväzného národného zákona na ochranu spotrebiteľov.

Tieto podmienky boli písané na základe zákonov Fínska a týmito zákonmi sa radia a musia byť vykladané v súlade s nimi. Ďalšie informácie o záruke: warranty.hansa.com

Oznamovanie chýb

Záruka platí iba na chyby, ktoré budú oznámené spoločnosti Hansa alebo distribútorovi či predajcovi, prípadne servisnému partnerovi v primeranej lehote (obvykle do 14 dní) od zistenia chyby. Postup opravy bude dohodnutý so spoločnosťou Hansa alebo jej zástupcom.

Recyklácia materiálu

Hlavným materiálom použitým pri výrobe batérií je mosadz, ktorá je recyklovateľná. Najlepším spôsobom likvidácie zastaraných výrobkov po skončení ich životnosti je ich zaslanie na pracovisko na recykláciu kovov. Všetky plasty použité v batériách Hansa sú termoplasty, ktoré sú recyklovateľné. Všetky obalové materiály používané spoločnosťou Hansa sú vhodné na recykláciu.

Napájacie zdroje, monočlánky a elektronické diely sa nesmú recyklovať spoločne s bežným odpadom, ale musia byť vytriedené a doručené do zvláštnych zberníc.

Povinnosť informovať v súlade s nariadením v mosadzných REACH: Hlavné mosadzné časti armatúr Hansa obsahujú viac než 0,1% olova. Výrobky s odlišnými hodnotami sú špeciálne označené.

Inštalácia

Aby sme zabezpečili čo najlepšiu funkčnosť, odporúčame, aby naše výrobky inštaloval profesionálny inštalátor. V prípade sťažností sa najprv obráťte na svojho inštalátora.

- Potrubie je nutné pred inštaláciou batérie alebo ventilu dôkladne vypláchnuť a vyčistiť dostatočným množstvom kalových priehradiek.
- Musí byť dodržaný správny postup inštalácie a zariadenie musí byť nastavené tak, aby spĺňalo podmienky používania.
- Elektrické pripojenie elektronických batérií napájaných zo siete smie byť realizované iba kvalifikovaným elektrikárom.
- Servis a nastavenie môže vykonať tiež iba dostatočne kvalifikovaný odborník, napr. osoba, ktorá absolvovala program Electra Training School.

Elektronické batérie spĺňajú požiadavky smernice EMC 2004/108/IE.

Pre krytie podľa normy EN 1717 a pre údržbu v súlade s normou EN 806-5.

Čistenie

Batériu čistite hubkou alebo mäkkou handričkou navlhčenou v roztoku čistiaceho prostriedku. Nepoužívajte sprej! Batériu opláchnite veľkým množstvom obyčajnej vlažnej vody. Nakoniec batériu utrite dosucha.

- Vonkajšie povrchy čistite neutrálnym alebo mierne alkalickým (pH 6 – 9) tekutým čistiacim prostriedkom, napríklad mydlovým roztokom alebo tekutým prostriedkom na umývanie riadu (nie práškom na riad). Vždy dodržujte pokyny výrobcu čistiaceho prostriedku a predpisy pre dávkovanie. Organické rozpúšťadlá, korozívne alebo drsné prostriedky alebo pomôcky nie je dovolené používať.
- Pozor! Chromovanie nie je odolné proti kyseline fosforečnej a zlúčeninám chlóru. (To isté platí pre všetky plastové diely sprchových armatúr).
- Nečistite batériu vysokotlakovým čističom.
- Perlátor: Vyberte perlátor, umyte vodou alebo vymeňte za nový.

Prevádzkové podmienky

Nebezpečenstvo zamrznutia

Batérie alebo iné vodovodné armatúry nainštalované na mieste, kde by mohla voda ponechaná vnútri zamrznúť (napr. v zime v nevykurovaných prázdňinových zariadeniach), je nutné vyprázdniť alebo uskladniť v chladnom období na vykurovanom mieste. Proti poškodeniu zamrznutím treba prijať napríklad tieto preventívne opatrenia:

Jednopókové batérie: Odmontujte kartušu z tela batérie

Automatické batérie: Odmontujte termostatickú kartušu a vyprázdňte z batérie vodu

Dvojgókové batérie: Odmontujte ovládacie ventily z tela batérie

Elektronické batérie: Odmontujte elektromagnetický pilot ventil

Preventívne opatrenia treba prijať aj prepravu použitej batérie pri teplotách pod nulou.

Maximálna teplota

Batérie a príslušenstvo nie sú vhodné na používanie v horúcom prostredí, max. +65 °C. Rovnaké obmedzenie teploty platí aj pre čistenie.

Príslušenstvo tretích strán

K batérii nepripájajte žiadny spotrebič vybavený uzatváracím zariadením, napr. vysokotlakovú/ľafašovú umývačku alebo záhradnú hadicu s uzatváracím zariadením (napr. namiesto perlátora).

Pri používaní ručnej sprchy Bidetta s uzatváracím ventilom treba použiť konštrukciu ejektora.

Ventil umývačky treba po každom použití uzavrieť. Ak nie je možné pripojiť umývačku k batérii, je nutné upchať spojovacia rúrka (G1/2).

Умови Гарантії на Продукцію Oras (діє в Європі з 1.1.2012)

Всі змішувачі та аксесуари Oras розроблені та виготовлені відповідно до стандартів EN, бездоганне функціонування гарантується при відповідних умовах, зазначених в EN-стандартах. Просимо вас уважно читати, слідувати та зберігати інструкції які додаються до виробу.

Два (2) роки гарантії охоплює виробничі та дефекти матеріалу відповідно до місцевого законодавства про захист прав споживачів і діє протягом двох (2) років з дня покупки або в разі, якщо немає ніякої документації з покупки (квитанція), два (2) роки від виготовлення продукції зазначених на штампі (рік та місяць).

П'ять (5) років гарантії для функціональних компонентів, що використовуються в приватних будинках: картриджі одновальнічних та термостатичних змішувачів, магнітний клапан та датчик. Гарантія поширюється на збіор матеріалу або виробництва, але не на додаткові витрати. Oras залишає за собою право розслідувати справи.

Десять (10) років гарантованого забезпечення запасним частинами та компонентами до всіх виробів Oras вироблених після 1.1.2012.

Обмеження по гарантії

Дані умови гарантії поширюються на вироби та комплекти Виробів Oras, що складаються тільки з оригінальних деталей та використовуються відповідно до «Керівництва по використанню та технічного обслуговування». При монтажі змішувача Oras повинні дотримуватися діючими в країні будівельними та законодавчими нормами.

Гарантія не поширюється на несправності, викликані неправильним монтажем, чищенням, неправильним вживанням, відсутністю технічного обслуговування або домішок у воді. Гарантія не відноситься до елементів живлення в електронних змішувачах.

Дані гарантії не обмежують права споживачів, встановленим законодавством.

Ці умови були створені для і мають регулюватися та тлумачитися відповідно до законодавства Фінляндії. Більш детальна інформація по гарантії: warranty.oras.com

Повідомлення про несправності

Ці умови гарантії поширюються лише на дефекти, заявлені представнику Oras або продавцеві в прийнятні строки (зазвичай 14 днів) з моменту виявлення дефекту. В той же час, споживач має надати інформацію щодо дати придбання виробу. Крім того, з Oras або представником компанії має бути узгоджено, хто і як виконуватиме роботи з ремонту.

Утилізація матеріалів

У виробництві змішувачів використовується головним матеріалом є Латунь яка придатна для вторинної переробки. Кращим способом знищення виробів які вийшли з ужитку є транспортування їх на пункт збору металобрухту. В продукції Oras використовується придатна до повторного застосування термопластична пластмаса. Батареїки та електронні частини не можна утилізувати через звичайні сміттєзбірники, вони повинні бути відсортовані та передані до специфічних приймальних пунктів.

Обов'язкове інформування згідно з Регламентом REACH: Частина вмісту свинця у сантехнічної фурнітурі Oras становить більше 0,1% у компонентах з латуні. Відміні продукти спеціально позначені.

Монтаж

Щоб забезпечити найкращу функціональність, ми рекомендуємо встановлення нашої продукції професійним інсталлятором. У разі виникнення скарг, будь ласка, зверніться до Вашого сантехніка.

- Трубопровід повинен бути ретельно промитий та оснащений достатньою кількістю грязьових фільтрів перед змішувачем або клапанами монтажу.
- Правильна процедура установки повинна бути прослідована та обладнання повинно бути відповідним чином налаштовано, щоб задовольняти умовам використання.
- Електричне підключення електронних змішувачів з живленням від електромережі може виконуватися тільки кваліфікованим електриком.
- Технічне обслуговування та налаштування також може бути здійснено відповідним чином кваліфікованим фахівцем, наприклад, хто пройшов завчання за програмою Electra.

Електронні змішувачі відповідають вимогам Директиви сумісності 2004/1108 / EY.

Ступінь захисту згідно EN 1717 та технічне обслуговування відповідно до EN 806-5

Чищення

Очистіть змішувач з губкою або м'якою тканиною, змоченою розчином миючого засобу. Не використовуйте спреї пляшки! Добре обполосніть змішувач звичайною теплою водою. Наприкінці протріть змішувач насухо.

- Зовнішні поверхні повинні бути очищені за допомогою нейтральним або злегка лужною (рН 6-9) рідким очищувачем, такі, як мильним розчином або рідина для миття посуду (не порошком для посудомийної машини). Завжди дотримуйтеся інструкції виробника миючих засобів та керітьця до дозування. Органічні розчинники, корозійні та/або абразивні засоби для чищення пристроїв не повинні використовуватися.
- УВАГА! Хром покриття не стійке до фосфорних кислот та сполуки хлору. (Те ж саме відноситься до всіх пластмасових деталей душевих принад).
- Не використовуйте для чищення змішувача мийку високого тиску.
- Аератор: Видалити аератор, промити водою, або замінити на новий.

Умови використання

Небезпека замерзання

Змішувачі або інші фітинги для води, встановлені в місцях, де вода залишається всередині них може замерзнути (наприклад, протягом зими в неопалюваному місці проживання), повинні бути спорожнені або зберігатися в опалюваному місці в холодний період. Слід вжити заходів обережності, щоб запобігти пошкодженню викликаними замерзанням, наприклад,

- | | |
|-----------------------------------|-----------------------------------------------|
| <i>Змішувачі з одним важелем:</i> | відокреміть картридж. |
| <i>Автоматичні крани:</i> | Зніміть картридж та злийте воду зі змішувача. |
| <i>Двоventильні змішувачі:</i> | Відокреміть робочі головки. |
| <i>Електронні змішувачі:</i> | Зніміть електромагнітний клапан. |

Запобіжні заходи також повинні бути прийняті при транспортуванні використаного змішувача при мінусовій температурі.

Максимальна температура

Змішувачі та аксесуари не підходять для використання в гарячому середовищі, максимум + 65 ° C. Те ж саме обмеження температури відноситься також до очищення.

Сторонні аксесуари

Не підключайте прилад, оснащений запірним пристроєм, наприклад, мийка для скотари високого тиску або садовий шланг із запірним пристроєм, до крану (наприклад, замість аератора).

Ежектор-система повинна бути використана, при використанні лійки Bidetта з тригером.

Клапан для пральної машини завжди повинен бути вимкнений після використання. Якщо пральна машина не може бути підключений до змішувача, то сполучна труба (G1 / 2) повинна бути перекрита.

Austria

HANSA Austria GmbH
Rottfeld 7
A-5013 SALZBURG
Tel. +43 662 4331000
Fax +43 662 43310020
office@hansa.at

Belgium

Hansa Armaturen Belgium N.V.
Steenweg 3 . 405
B-3540 HERK-DE-STAD
Tel. +32 13 353 610
Fax +32 013 664 686
info@hansa-belgium.be

Czech Republic

Hansa Cesko, s.r.o
Mladoboleslavská 968
CZ-190 17 PRAHA 9, Kbely
Tel. +420 286 854 892
Fax +420 222 244 505
hansa.cesko@hansa.com

Obchodné zastúpenie pre
Slovenskú republiku
Mob.: + 421 903 535 771

Denmark

ORAS ARMATUR A/S
Strevelinsvej 12
DK-7000 FREDERICIA
Tel. +45 75 95 74 33
Fax +45 75 95 80 27
info.denmark@oras.com

Estonia

Oras Oy
Sõpruse pst.151
EE-13417 TALLINN
Tel. +372 6 210 400
Fax +372 6 210 409
info.estonia@oras.com

France

Hansa France S.A.R.L
1D, rue des Frères Lumière
F-67201 ECKBOLSHEIM
Tel. +33 3 88 78 88 00
Fax +33 3 88 76 55 32
info@hansa.fr

Germany

Hansa Armaturen GmbH
Sigmaringer Straße 107
D-70567 STUTTGART
Tel. +49 711 1614 0
info@hansa.de

Italy

Hansa Italiana Srl
via Maria Gaetana Agnesi, 37/39
I-37014 CASTELNUOVO DEL GARDA (Vr)
Tel. +39 45 7575333
Fax: +39 0 45 7571258
hansaitaliana@hansa.it

Latvia

Oras Oy Representative Office
Ganību dambis 7a,
LV-1045 RĪGA
Tel. +371 2 92 1 8090
info.latvija@oras.com

Lithuania

Oras Ltd. Representative Office
Ukmergės st. 280
LT-06115 VILNIUS
Tel. +370 5 233 8897
Tel. +370 699 52 990
Tel. +370 630 80 208
info.lithuania@oras.com

Netherlands

Hansa Nederland B.V.
Watergoorweg 77
NL-3861 MA NIJKERK
Tel. +31 33 2463463
Fax +31 33 2463431
info@hansa-nederland.nl

Norway

ORAS ARMATUR AS
Smeltedigelen 1
N-0195 OSLO
Tel. +47 74 85 41 10
Fax +47 74 85 79 10
info.norway@oras.com

Poland

ORAS Olesno Sp. z o. o.
ul. Leśna 2
PL-46-300 OLESNO
Tel. +48 34 350 9200
info.poland@oras.com

Russia

ООО "ОРАС РУС"
в Санкт-Петербурге:
191025, Санкт-Петербург
Ул. Маяковского, д. 3Б литера А.
Офис 307
Факс: (812) 346 79 87

Spain

Hansa España S.A.U.
Ronda Maiols, 1 Edificio BMC, Local 347
E-08192 Sant Quirze del Vallès,
BARCELONA
Tel. +34 93 6374460
Fax +34 93 6374568
info@hansa.es

Sweden

Oras Sverige AB
Svetsarvägen 10B
S-171 41 SOLNA
Tel. +46 8 518 198 40
info.sweden@oras.com

Ukraine

Oras Representative office
Solomyanska sq. 2, office 706A
UA-03035 KYIV
Tel. +38 (044) 469 5817
+38 (044) 240 6219
+38 (095) 286 1010
info.ukraine@oras.com

orasgroup



ORAS Ltd.
Isometsäntie 2, P.O. Box 40
FI-26101 Rauma, Finland
Tel. +358 2 83 161
Fax +358 2 831 6200
info.finland@oras.com

Oras Group is a powerful European provider of sanitary fittings: the market leader in the Nordics and a leading company in Continental Europe. The company's mission is to make the use of water easy and sustainable and its vision is to become the European leader of advanced sanitary fittings. Oras Group has two strong brands: Oras and Hansa.

The Group's head office is located in Rauma, Finland, and the Group has three manufacturing sites: Kralovice (Czech Republic), Olesno (Poland) and Rauma (Finland). Oras Group employs approximately 1,200 people in twenty countries. Oras Group is owned by Oras Invest, a family company and an industrial owner.

ORAS Ltd.
Isometsäntie 2, P.O. Box 40
FI-26101 Rauma
Tel. +358 2 83 161
Fax +358 2 831 6300
info.finland@oras.com
www.oras.com

HANSA Armaturen GmbH
P. O. BOX 81 02 40
D-70519 Stuttgart
Sigmaringer Strasse 107
D-70567 Stuttgart
Tel.+49 711 16 14 0
Fax+49 711 16 14 368
info@hansa.de
www.hansa.com

orasgroup



EAN: 6414150099236

RSK: 8275011

static.oras.com/2605FH



Tvättställsblandare med en användarvänlig pinnspak som är enkel att greppa. Bygger på Oras 3.0 kassett med inbyggd flödes och temperaturspär. Flödeskontroll 6l/min. Avzinkningshärdig 4MS DZR mässing. F = flexibla anslutningar.

När fantastisk design blir en attraktion i sig, så vet du att den kommer att göra skillnad i ditt liv. Förutom att väcka skönhet till liv, är denna nya klassiker även designad för att ta alla moderna badrum upp till nästa nivå. Smal design och graciösa former gör denna blandare till höjdpunkten i vilket badrum som helst.

- Tvättställ
- Ettgreppsblandare
- Bänkmoterad
- Krom
- Fast utloppspip
- CASCADE® - stråle, PCA® - konstantflödesstrålsamlare oavsett tryck
- Ettgreppsblandare, Pinnspak, Symboler för Varmt/Kallt
- Anti-kalk funktion
- Möjlighet till spärr för begränsning av temperatur och flöde, Justerbar varmvattenspärr (eftermonterbar)
- \varnothing 30 mm keramisk kassett för flödes- och temperaturkontroll
- Flexibel anslutning
- Blandarkroppen är tillverkad i avzinkningshärdig mässing
- Utan lyftventil

Teknisk data

Flödesegenskaper

Flöde vid 300 kPa (med flödesbegränsare) **0.1l/s**

Tekniska egenskaper

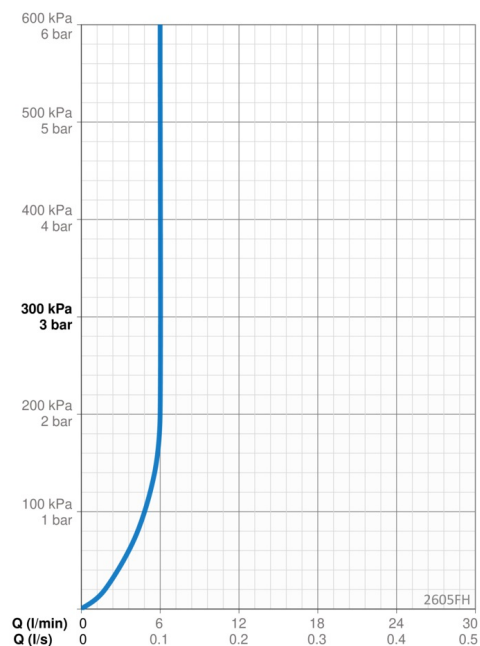
Varmvattenanslutning **max. +70°C**
 Arbetstryck **50 - 1000 kPa**
 Anslutning, mått **G3/8**
 Projection **133 mm**
 Backflow prevention (EN1717) **AA**
 Material **brass**

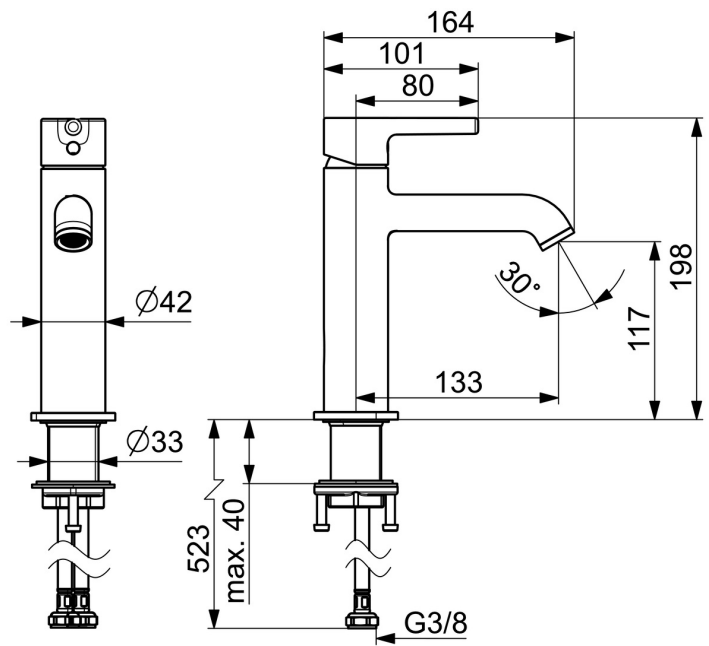
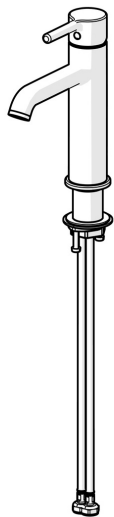
Bestämmelser

EN standard **EN 817**

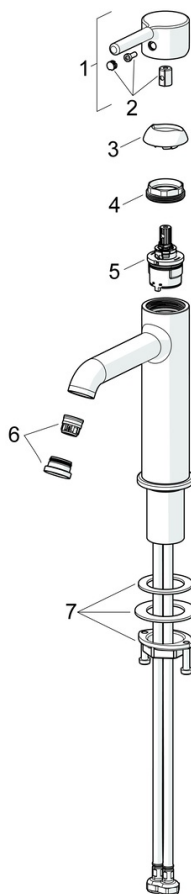
Godkännanden och Certifikat

EPD **S-P-06391**





Reservdelar



SP2606FH

Namn	Kod	RSK
01 Spak	1012011V	8387018
02 Täckbricka	1012105V	8387013
03 Skyddskåpa	1012132V	8387012
04 Fästmutter, M34x1.5	1012133V	8387014
05 Reglerinsats, 3.0	1014428V	8387010
06 Strålsamlare och nyckel, PCA 5.7 l/min	1012273V	8280003
07 Monteringsatts	602629V	